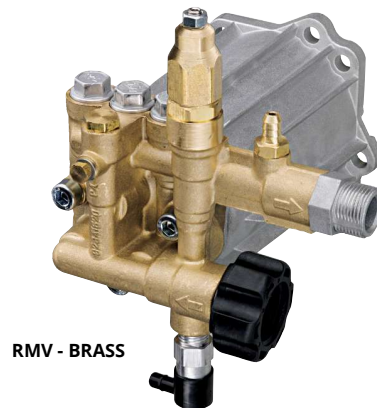


RMV - ALUMINUM



RMV - BRASS

### Residential

140° F - Max Water Temp  
 3/4" GHA - Inlet Thread  
 22mm x 14 M - Discharge Thread  
 2.2 oz - Oil Capacity



● aluminum head



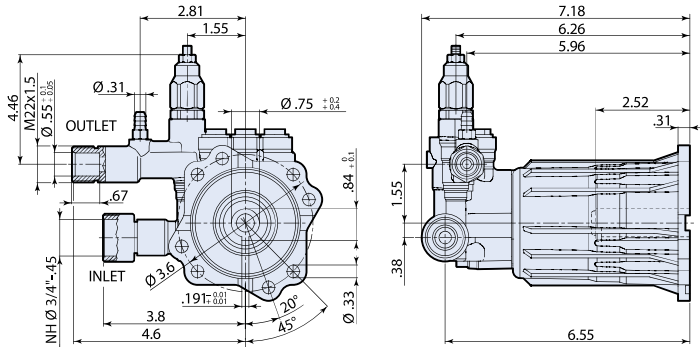
● brass head



○ thermal relief valve



● easy start valve



### D version

MOD	MAX	MAX		NET	BORE DIA	STROKE	CRANKSHAFT ID STAMP	LIST PRICE
	l/min	gpm	bar	psi	ebhp	rpm	lbs	mm

#### RMV 3400rpm D version 3/4" with Gas Engine Flange

RMV2G25D	● ○	7.6	2	172	2500	3.4	3400	7.5	12	7.58	7	\$398.95
RMV22G24D-EZ	● ○ ●	8.3	2.2	166	2400	3.6	3400	7.2	12	8.3	5	\$280.92
RMV25G24D	● ○	9.5	2.5	166	2400	4.0	3400	7.2	12	9.7	1	\$280.92
RMV25G30D-EZ	● ○ ●	9.5	2.5	200	3000	5.1	3400	7.5	12	9.7	1	\$398.95

\* - 3/8" Quick Connect Outlet

### SPECIAL PARTS / KITS

MOD	DESCRIPTION	LIST PRICE
AR2841340	3/8" Quick Connect Outlet	\$59.50
AR42125	Chemical Injector Kit	\$8.96
AR42321	Inlet Kit	\$20.83
AR64545	Oil (4.5 oz)	\$15.47

### REPAIR KITS

MOD	DESCRIPTION	QTY	LIST PRICE
AR42123	Valves for brass heads	6	\$33.84
AR2233	Valves for aluminum heads	6	\$20.56
AR42161	Pistons 2 GPM	3	\$46.98
AR2234	Pistons 2.5 GPM	3	\$46.98
AR42122	Water Seals 2 GPM	3	\$16.96
AR2235	Water Seals 2.5 GPM	3	\$28.11
AR2236	Oil Seals	4	\$21.58
AR2237	O-Rings 2 GPM	16	\$18.21
AR42701	O-Rings 2.5 GPM	16	\$31.74
AR42118	Unloader	1	\$80.38