

A.R. North America

Product Catalog



**ANNOVI
REVERBERI**®
The Power of Experience

2023

OUR HISTORY

*Corrado Reverberi and Umberto Annovi founded **Annovi Reverberi Spa in Modena, Italy.***

Production of Urania- the first A.R. pump.

1958

New factory in Modena.

*A.R. world leader in crop spraying pumps.
Plunger pumps production start-up.*

1974

*Ralph Notch founded **A.R. North America, Inc.***

1989

*First Asian operations office opens in **Shanghai.***

A.R. North America, Inc. moves into NEW 57,000 square foot warehouse in Fridley, Minnesota.

2004

New factory in Bomporto.

*RKV plunger pump.
Annovi Reverberi captures U.S. market.*

1995

*A.R. North America, Inc.
Completed construction on Warehouse #3 - gained 82% for a total of 104,000 square feet.*

2015

Kyle and Jon Notch take the reins at A.R. North America, Inc.

2013

**A.R. North America, Inc.
Added Diaphragm Pumps.**

2017

New Annovi Reverberi Headquarters & Innovation Lab in Modena.

2020

New Annovi Reverberi Testing Room in Modena.

2021

Challenges, Successes, and Passion

"It's been an unfolding of events marked by challenges, courageous choices and some daring moves. A helter-skelter ride that has called for unwavering commitment and absolute dedication, intelligence, vigilance and sometimes, discretion and patience.

Whatever the situation, the journey has been thrilling and rewarding. The milestones of our success."

- Corrado Reverberi

Annovi Reverberi: More than 60 years of Italian excellence

Founded in 1958 by Corrado Reverberi, Annovi Reverberi is still an Italian family-owned company, a mechanical engineering reality strongly linked to the territory and made up of people, ideas and innovative projects. An example of Italian entrepreneurship based on experience, innovation and passion.

A brand recognized all over the world as a symbol of top quality and Italian know-how. It's more than 60 year history has seen the Annovi Reverberi group grow considerably and become a leader in three sectors of reference: agriculture with the production of diaphragm pumps; industry through the success of AR plunger pumps and, finally, in the 90s, cleaning with the development of high-pressure washers and vacuum cleaners.



**HQ IN
MODENA**

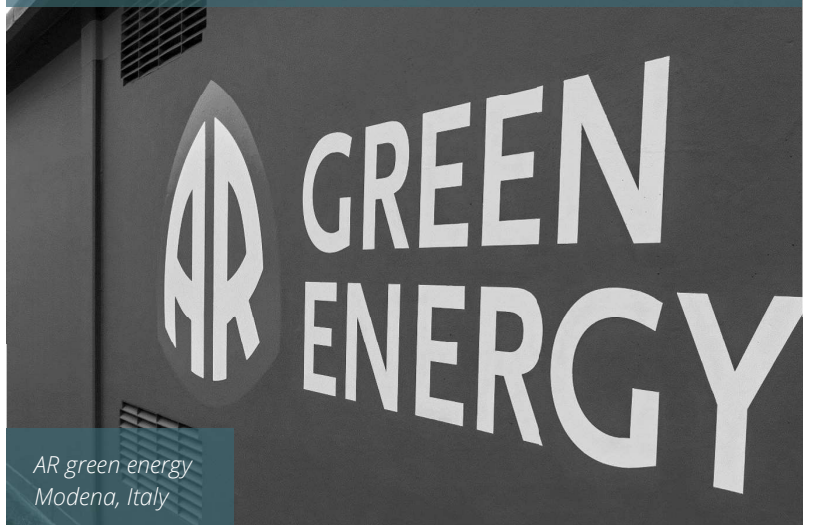
ART



"Cavallo con Sfera e Numeri"
di Mimmo Paladino.
"Horse with Sphere and Numbers"
by Mimmo Paladino.

We know how art and beauty are powerful means to channel creativity and innovation which can be transmitted throughout our workspace.

SUSTAINABILITY



AR green energy
Modena, Italy

Not a concept but real actions to achieve social economic and environmental sustainability. Processes improvements to reduce environmental impact, total recycling of waste water, total recycling of industrial waste, high energy efficiency control of the new testing room, sustainable and high efficiency product development, profit reinvestment in local economy; these are only some of the actions taken by Annovi Reverberi in order to increase sustainability.

INNOVATION

New machining center
Modena, Italy

Made in Annovi Reverberi
"Made in Annovi Reverberi" is a synonym of technological innovation, quality, Italian performance and corporate social responsibility. Behind every Annovi Reverberi product there are years of research, passion and patience, every pump is the result of the highest Italian quality combined with the most advanced production technologies.

For every industry the plunger pump you need

Relentless pursuit for Quality, Technological Innovation, and product excellence is ingrained in our DNA. Our passion can be seen translated to action in our "new" state of the art machining center of excellence in Bomporto, Italy. This facility services our ever-growing pursuit for improvement in our full range of plunger pumps where our breath of line services not only cleaning but a wide variety of industries in misting, reverse osmosis, dust suppression, blasting, sanitation, hydrostatic testing, hydro excavation, firefighting, homogenization, food processing, and many more.

In every industry you can see the "AR difference"! Experience combined with tireless attention to detail and high-quality components, are all factors in producing and developing pumps that lead the industry standard. AR Pumps are reliable, efficient, and run quiet. Each pump feature strict tolerances, with ceramic plungers helping to reduce maintenance while providing the ultimate experience.

A.R. NORTH AMERICA



NORTH AMERICA

A reliable partner

Nestled in Fridley MN AR North America (ARNA) has been a beacon for Annovi Reverberi since 1989. For 30+ years ARNA has been a flexible, reliable partner source of Plunger Pumps, Diaphragm pumps, Motors, and Accessories for all North and South America. ARNA focuses on a flexible customized customer first approach by keeping stock levels high and catering to everchanging customer needs and customizations.

OUR MISSION

We know how art and beauty are powerful means to channel creativity and innovation which can be transmitted throughout our workspace.

OUR VALUES

*We blend high quality standards and **Italian know-how** in all our products to meet our customers' needs.*



PEOPLE



TRADITION & INNOVATION



PASSION FOR QUALITY



ENVIRONMENTAL SUSTAINABILITY



PERFORMANCE & RELIABILITY



TAILORED CUSTOMIZATION

OUR JOURNEY

Since 1958 Annovi Reverberi has been the world's leading manufacturer of diaphragm pumps for agriculture and plunger pumps for industrial washing.

Today, Annovi Reverberi has a major presence in the cleaning sector thanks to its high pressure cleaners, for both private and professional use, representing pioneering solutions in the global market.

OUR INDUSTRIES

Agricultural

- Diaphragm pumps
- Control units
- Electric motor pump assemblies
- Motor-driven pump assemblies
- 12 Volt pumps

Industrial

- Plunger pumps
- Axial pumps
- Electric motor pump units
- Hydraulic drive
- Accessories

Cleaning

- High Pressure Washers
- Detergents
- Accessories

Modena HQ



Minneapolis
Memphis



Bomporto
Reggio Emilia
Novara



Shanghai



A.R. GROUP

50 design patents

100+ technical patents

200+ product certifications

3 Divisions

4 Manufacturing Facilities

2,300+ Distributors

100 Countries Reached

5 Continents

500 Employees



QUALITY INSIDE

A.R. plunger pumps are compact and silent running.

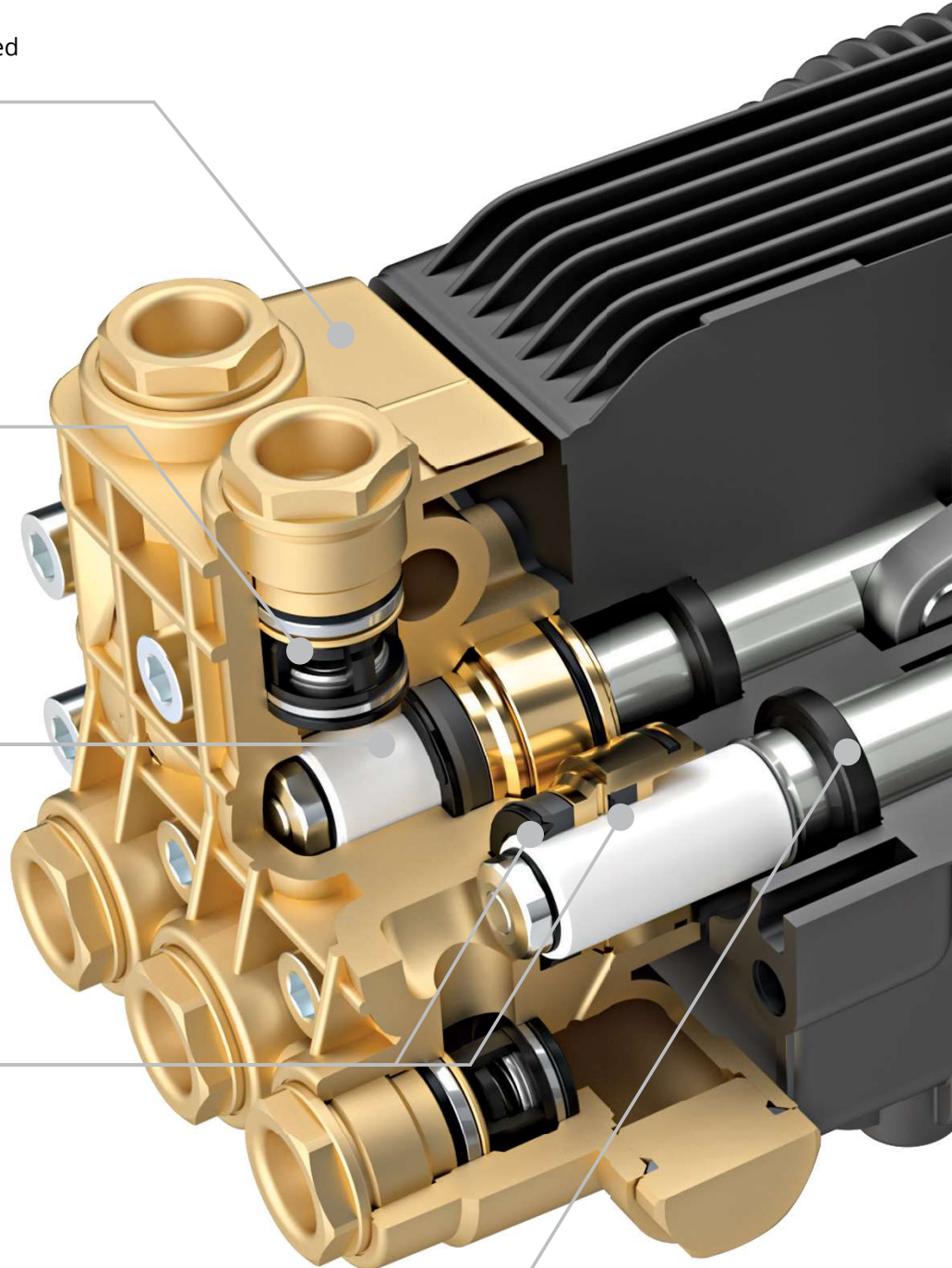
Forged brass pump head, designed for strength.

Suction and delivery valves with larger water passages.

Extra-thick ceramic plungers for greater durability.

Double gasket sealing system.

Double lip oil seals.





Ruggedly designed crankcase with deep fins for better cooling.

Top quality, oversized tapered roller bearings.

Oversized shaft with long end section for better torque transmission.

Oversized connecting-rods in a special low-friction alloy. Split into two parts for easier maintenance.

Oversized, piston guides for smoother stroke and better oil seal performance.



TABLE OF CONTENTS

PUMPS	
RESIDENTIAL PUMPS	P 10
COMMERCIAL PUMPS	P 26
INDUSTRIAL PUMPS	P 72
HYDRAULIC PUMPS & MOTORS	P 82
STAINLESS STEEL PUMPS	P 94
HOT WATER PUMPS	P 110
SPECIALTY PUMPS	P 116
MIST UNITS	P 122
ELECTRIC MOTORS	P 124
SKID UNITS	P 128
PUMP PACKAGES	P 130
POLYPROPYLENE DIAPHRAGM PUMPS	P 134
AGRICULTURE ACCESSORIES	P 140
VACUUM PUMPS	P 144
ACCESSORIES	P 150
PRESSURE WASHERS	P 228
GENERAL INFORMATION	P 244
WARRANTIES	P 248

DETAILED BREAKDOWN

RESIDENTIAL PUMPS P 10

RQ SERIES	P 11-12
RSV SERIES	P 13-14
RM SERIES	P 15-18
RX SERIES	P 19
SJV SERIES	P 20
XJV SERIES	P 21
JR SERIES	P 22-24

COMMERCIAL PUMPS P 26

RC SERIES	P 27-33
XT SERIES	P 34-88
XM SERIES	P 39-48
RR SERIES	P 49-52
RK SERIES	P 53-57
RG SERIES	P 58-60
XW SERIES	P 61-66
SXW SERIES	P 67-68
RGX SERIES	P 69-70

INDUSTRIAL PUMPS P 72

XWP SERIES	P 73
SHP SERIES	P 74-75
RT SERIES	P 76-81

HYDRAULIC PUMPS & MOTORS P 82

RK SERIES	P 83
XM SERIES	P 84
XW SERIES	P 85
HYDRAULIC DRIVE UNITS	P 86-89
HYDRAULIC MOTORS & KITS	P 90-91

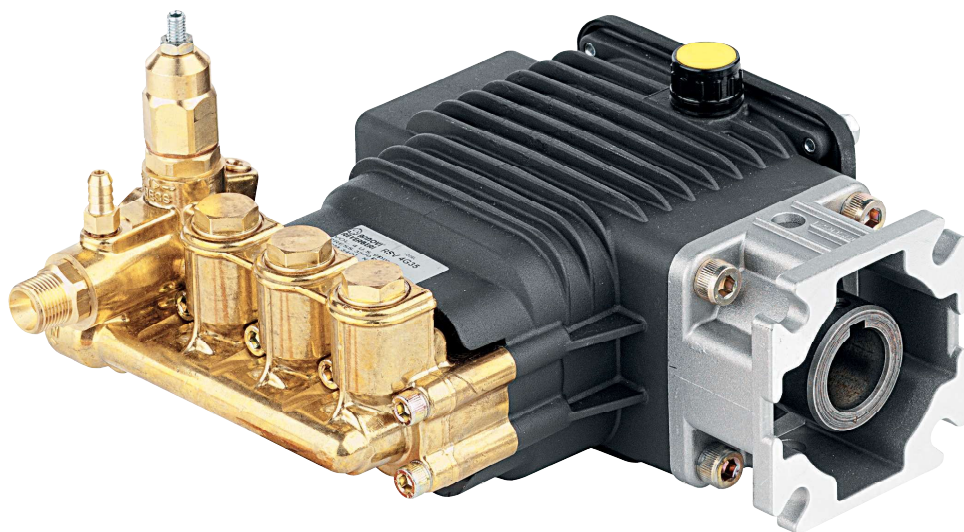
ACCESSORIES P 150

ARTEL ACCESSORIES	P 179
BOLONDI CLEANING HEADS	P 194-197
CHEMICAL INJECTORS	P 169-170
CONNECTORS & NIPPLES	P 212-214
CONTROLLERS	P 216
COUPLINGS	P 154
DETERGENT SUCTION FILTERS & HOSE	P 171
ELECTRIC CLUTCHES	P 153
FLANGES/COUPLINGS	P 154
FLUIDS	P 151
FOAMERS	P 193
GARDEN HOSE ADAPTERS	P 206
GEAR BOXES	P 153
HIGH PRESSURE SOAP NOZZLES	P 187
HOSE REELS & CARTS	P 220
INLET KING NIPPLES	P 215
JETTER VALVES	P 202
LANCES & HANDLES	P 175-180
NOZZLES: MEG & MULTIPACKS	P 190-191
NOZZLE HOLDERS	P 192
PIVOT & PULSATION DAMPENERS	P 210
PRESSURE GAUGES & DAMPENERS	P 217
NOZZLES: QC & MULTIPACKS	P 188-189
QUICK COUPLINGS & PLUGS	P 207-209
RAIL KITS	P 152
REGULATORS	P 156
REPLACEMENT O-RINGS	P 206
SAFETY/RELIEF/POP-OFF VALVES	P 157
SANDBLASTERS & KITS	P 198
SEWER CLEANING	P 199-203
SLUDGE PUMPS & HOSES	P 218-219
STEAM WEED CONTROL	P 204
SUPEREX CLAMPS	P 221-226
SURFACE CLEANERS	P 205
SWITCHES	P 166-167
SWIVEL COUPLERS	P 211
THERMAL VALVES/RELIEF VALVES	P 155
THERMOSTAT	P 216
TOOLS	P 151
TRIGGER GUNS	P 172-173
TRIGGER GUNS W/EXTENSIONS	P 174
UNLOADERS	P 158-164
UNLOADERS W/PRESSURE SWITCHES	P 165
VALVES	P 168
VALVE CAPS	P 152
NOZZLES: FLARED & ROTARY	P 181-186
WATER BROOMS	P 204
WHIPCHECK	P 226

RESIDENTIAL PUMPS

RQV
RQW
RSV
RMV
RMW
SRMV

SRMW
RXV
SJV
XJV
JRA
JRV



Many options for both gas engines & electric motors.

Great for homeowners and less than everyday use.

Options in both crankshaft and radial axial drive.

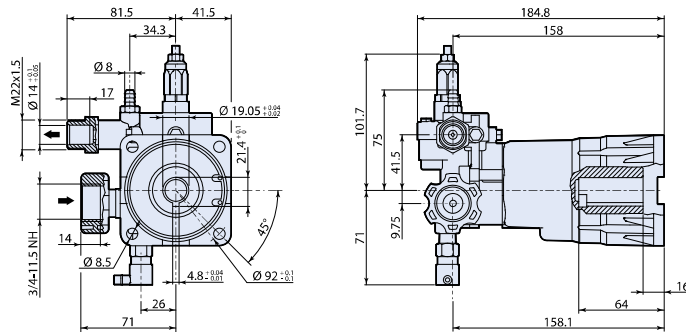
Options to cover a wide range of small projects.







Residential

140° F - Max Water Temp
 3/4" GHA - Inlet Thread
 22mm x 14 M - Discharge Thread
 2.29 oz - Oil Capacity

-  ● aluminum head
-  ● brass head
-  ○ thermal relief valve
-  ● easy start valve



D version

MOD	 MAX	 MAX		 NET	BORE DIA	STROKE	CRANKSHAFT ID STAMP	LIST PRICE				
	l/min	gpm	bar	psi	ebhp	rpm	lbs	mm	mm		\$	
RQV 3400 rpm D version 3/4" with Gas Engine Flange												
RQV25G26D-EZ	● ○	9.5	2.5	166	2600	4.1	3400	4.25	12	9	3	\$251.41
RQV25G30D-EZ	● ○	9.5	2.5	206	3000	5.5	3400	4.25	12	9	3	\$339.94

SPECIAL PARTS / KITS

MOD	DESCRIPTION	LIST PRICE
AR64545	Oil (4.5 oz)	\$15.47

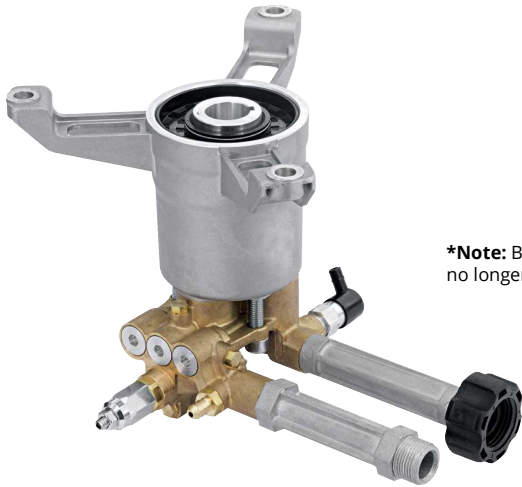
REPAIR KITS

MOD	DESCRIPTION	QTY	LIST PRICE
AR42955	Valves	6	\$37.87
AR42956	Pistons	3	\$29.40
AR42958	Water Seals	3	\$16.93
AR42959	Oil Seals	4	\$24.88
AR42960	O-Rings	25	\$27.95



RQW

HOLLOW SHAFT PUMP



***Note:** Brass manifold no longer available

Residential

140° F - Max Water Temp
 3/4" GHA - Inlet Thread
 22mm x 14 M - Discharge Thread
 2.29 oz - Oil Capacity



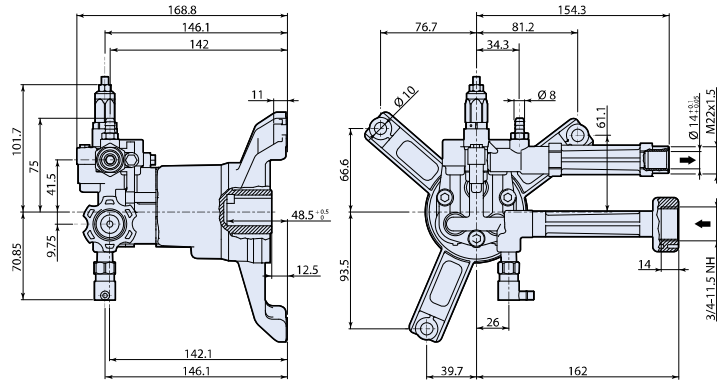
● aluminum head



○ thermal relief valve



● easy start valve



D version

MOD	MAX	MAX		NET	BORE DIA	STROKE	CRANKSHAFT ID STAMP	LIST PRICE				
	l/min	gpm	bar	psi	ebhp	rpm	lbs	mm	mm	\$		
RQW 3400rpm D version 7/8" with Gas Engine Flange												
RQW22G26-EZ	● ○ ●	8.3	2.2	173	2600	3.9	3400	7.1	12	8.29	5	\$251.41
RQW22G26-EZ-SX	● ○ ●	8.3	2.2	173	2600	3.9	3400	7.1	12	8.29	5	\$251.41

SPECIAL PARTS / KITS

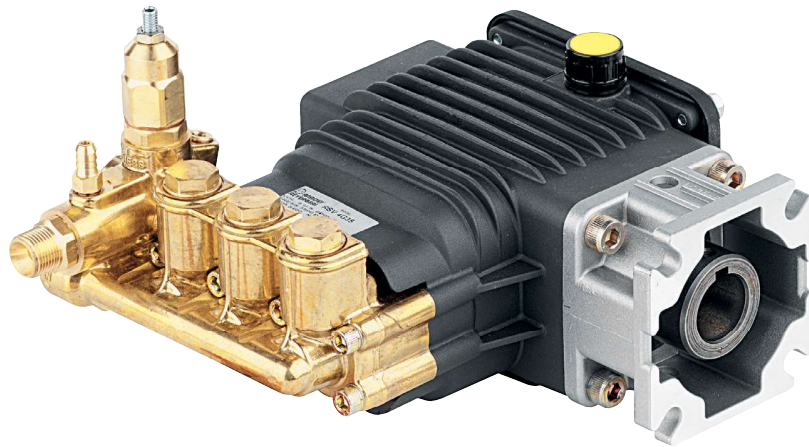
MOD	DESCRIPTION	LIST PRICE
AR64545	Oil (4.5 oz)	\$15.47

REPAIR KITS

MOD	DESCRIPTION	QTY	LIST PRICE
AR42955	Valves	6	\$37.87
AR42956	Pistons	3	\$29.40
AR42957	Oil Seals	3	\$17.33
AR42958	Water Seals	4	\$16.93
AR42959	Oil Seals	25	\$24.88

RSV-25

HOLLOW SHAFT PUMP

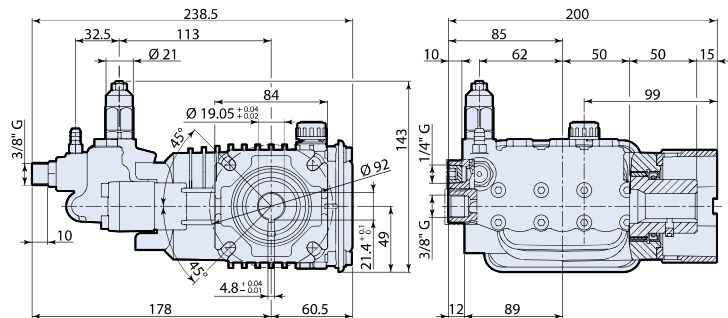


On request

Residential

140° F - Max Water Temp
 3/8" F - Inlet Thread
 3/8" M - Discharge Thread
 16 oz - Oil Capacity

-  brass head
-  aluminum connecting rods
-  thermal relief valve
-  easy start valve



D version + F25

MOD	MAX	MAX		NET	BORE DIA	STROKE	CRANKSHAFT ID STAMP	LIST PRICE			
	l/min	gpm	bar	psi	ebhp	rpm	lbs	mm	mm	\$	
RSV 3400 rpm D version + F25 Ø3/4"											
RSV3G30D-F25EZ ● ○ ● ●	11.4	3	206	3000	6.2	3400	14	15	7.6	9	\$688.14

SPECIAL PARTS / KITS

MOD	DESCRIPTION	LIST PRICE
AR42304	EZ Start assembly	\$38.99
AR2280	Unloader Kit - up to 3200 PSI (no knob with seat)	\$121.76
AR42369	Unloader Kit - above 3200 PSI (no knob with seat)	\$101.06
AR42128	Unloader Kit - above 3200 PSI (with knob without seat)	\$108.96
AR42527	Complete manifold with EZ start	\$524.82
AR42546	Complete manifold non EZ start	\$556.24
AR2761050	Bare manifold with EZ start	\$262.43
AR2760330	Bare manifold non EZ start	\$262.43
AR64516	Oil (16 oz)	\$15.80

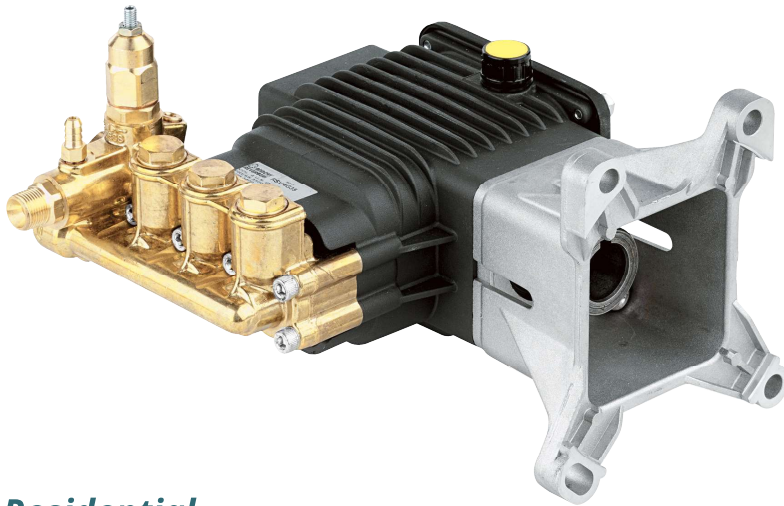
REPAIR KITS

MOD	DESCRIPTION	QTY	LIST PRICE
AR42666	Valves and Caps	6	\$81.03
AR2187	Pistons	3	\$200.36
AR2189	Water Seals	3	\$94.28
AR2188	Oil Seals	4	\$61.84
AR2190	O-Rings	17	\$15.01
AR2191	Support Ring	3	\$7.21



RSV-40

HOLLOW SHAFT PUMP



On request

Residential

140° F - Max Water Temp
 3/8" F - Inlet Thread
 3/8" M - Discharge Thread
 16 oz - Oil Capacity



● brass head



○ bronze connecting-rods



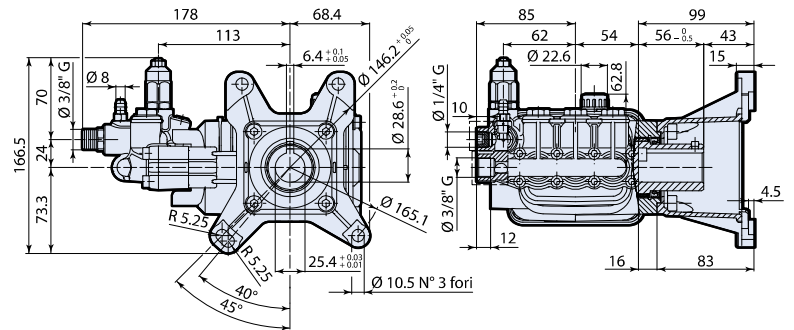
○ aluminum connecting-rods



○ thermal relief valve



● easy start valve



D version + F40

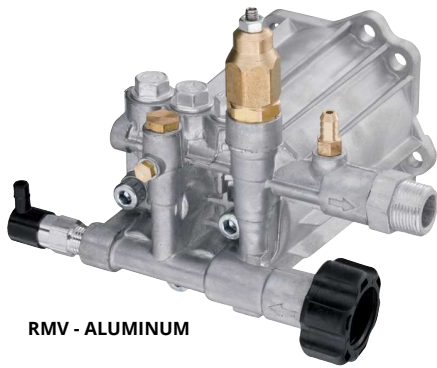
MOD	MAX	MAX			BORE DIA	STROKE	CRANKSHAFT ID STAMP	LIST PRICE				
	l/min	gpm	bar	psi	ebhp	rpm	lbs	mm	mm		\$	
RSV 3400rpm D version + F40 Ø1" with Gas Engine Flange												
RSV3G34D-F40	● ○ ○	11.4	3	234	3400	7.0	3400	14	15	7.6	9	\$766.05
RSV33G31D-F40EZ	● ○ ○ ●	12.6	3.3	213	3100	7.0	3400	14	15	7.6	9	\$766.05
RSV35G40D-F40	● ○ ○	13.2	3.5	275	4000	9.6	3400	14	15	8.2	8	\$766.05
RSV4G40HDF40EZ	● ○ ○ ●	15.1	4	275	4000	11.0	3400	14	15	9.4	7	\$766.05

SPECIAL PARTS / KITS

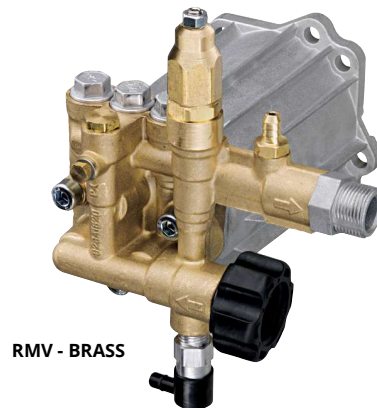
MOD	DESCRIPTION	LIST PRICE
AR42304	EZ Start assembly	\$38.99
AR2280	Unloader Kit - up to 3200 PSI (no knob with seat)	\$121.76
AR42369	Unloader Kit - above 3200 PSI (no knob with seat)	\$101.06
AR42128	Unloader Kit - above 3200 PSI (with knob without seat)	\$108.96
AR42527	Complete manifold with EZ start	\$524.82
AR42546	Complete manifold non EZ start	\$556.24
AR2761050	Bare manifold with EZ start	\$262.43
AR2760330	Bare manifold non EZ start	\$262.43
AR64516	Oil (16 oz)	\$15.80

REPAIR KITS

MOD	DESCRIPTION	QTY	LIST PRICE
AR42666	Valves and Caps	6	\$81.03
AR2187	Pistons	3	\$200.36
AR2189	Water Seals	3	\$94.28
AR2188	Oil Seals	4	\$61.84
AR2190	O-Rings	17	\$15.01
AR2191	Support Ring	3	\$7.21



RMV - ALUMINUM



RMV - BRASS

Residential

140° F - Max Water Temp
 3/4" GHA - Inlet Thread
 22mm x 14 M - Discharge Thread
 2.2 oz - Oil Capacity



● aluminum head



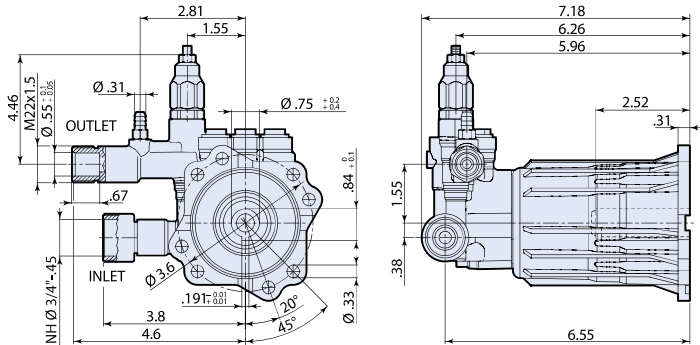
● brass head



○ thermal relief valve



● easy start valve



D version

MOD	MAX	MAX		NET	BORE DIA	STROKE	CRANKSHAFT ID STAMP	LIST PRICE
	l/min	gpm	bar	psi	ebhp	rpm	lbs	mm

RMV 3400rpm D version 3/4" with Gas Engine Flange

RMV2G25D	● ○	7.6	2	172	2500	3.4	3400	7.5	12	7.58	7	\$398.95
RMV22G24D-EZ	● ○ ●	8.3	2.2	166	2400	3.6	3400	7.2	12	8.3	5	\$280.92
RMV25G24D	● ○	9.5	2.5	166	2400	4.0	3400	7.2	12	9.7	1	\$280.92
RMV25G30D-EZ	● ○ ●	9.5	2.5	200	3000	5.1	3400	7.5	12	9.7	1	\$398.95

* - 3/8" Quick Connect Outlet

SPECIAL PARTS / KITS

MOD	DESCRIPTION	LIST PRICE
AR2841340	3/8" Quick Connect Outlet	\$59.50
AR42125	Chemical Injector Kit	\$8.96
AR42321	Inlet Kit	\$20.83
AR64545	Oil (4.5 oz)	\$15.47

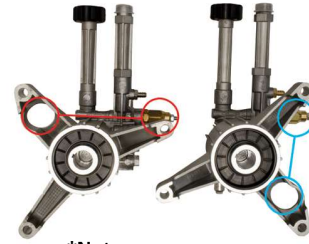
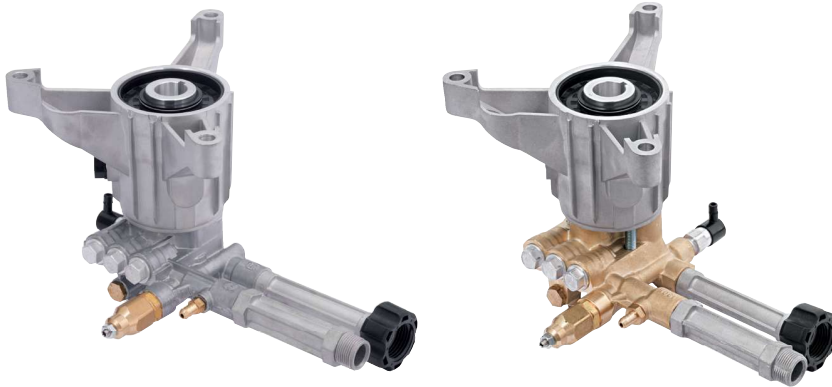
REPAIR KITS

MOD	DESCRIPTION	QTY	LIST PRICE
AR42123	Valves for brass heads	6	\$33.84
AR2233	Valves for aluminum heads	6	\$20.56
AR42161	Pistons 2 GPM	3	\$46.98
AR2234	Pistons 2.5 GPM	3	\$46.98
AR42122	Water Seals 2 GPM	3	\$16.96
AR2235	Water Seals 2.5 GPM	3	\$28.11
AR2236	Oil Seals	4	\$21.58
AR2237	O-Rings 2 GPM	16	\$18.21
AR42701	O-Rings 2.5 GPM	16	\$31.74
AR42118	Unloader	1	\$80.38



RMW

HOLLOW SHAFT PUMP



***Note:**

- SX Style - left handed pumps have a hole in the leg opposite of the unloader.
- Non-SX Style - right handed pumps have a hole in the leg on the same side as the unloader.

Residential

140° F - Max Water Temp
 3/4" GHA - Inlet Thread
 22mm x 14 M - Discharge Thread
 2.2 oz - Oil Capacity



● aluminum head



● brass head

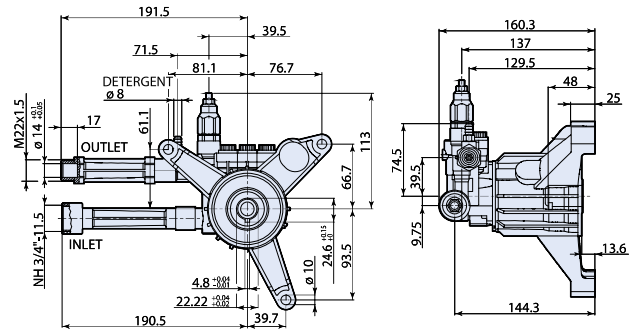


○ thermal relief valve



● easy start valve

D version



MOD	MAX	MAX		lb NET	BORE DIA	STROKE	CRANKSHAFT ID STAMP	LIST PRICE				
	l/min	gpm	bar	psi	ebhp	rpm	lbs	mm	mm		\$	
RMW 3400rpm D version 7/8" with Vertical Gas Flange												
RMW2G25D	● ○	7.6	2	172	2500	3.4	3400	7.7	12	7.58	7	\$398.95
RMW22G24-EZ	● ○ ●	8.3	2.2	166	2400	3.6	3400	7.3	12	8.3	5	\$280.92
RMW22G24-EZ-SX	● ○ ●	8.3	2.2	166	2400	3.6	3400	7.3	12	8.3	5	\$280.92
RMW25G25D	● ○	9.5	2.5	172	2500	4.3	3400	7.7	12	9.7	1	\$398.95
RMW25G26D-F7 *	● ○	9.5	2.5	180	2600	4.8	3400	7.7	12	8.3	5	\$430.83
RMW25G28DF7EZ-TRV *	● ○ ●	9.5	2.5	173	2800	4.5	3400	7.7	12	9.7	1	\$398.95
RMW25G28-EZ	● ○ ●	9.5	2.5	193	2800	4.8	3400	7.7	12	9.7	1	\$398.95
RMW25G28-EZ-SX	● ○ ●	9.5	2.5	193	2800	4.8	3400	7.7	12	9.7	1	\$398.95

SX - 180° Rotated Shaft Configuration
 * - 4 Bolt SAE Flange

SPECIAL PARTS / KITS

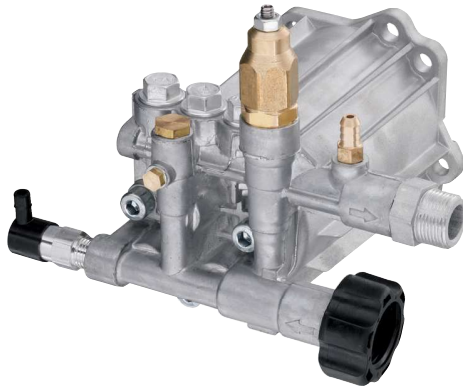
MOD	DESCRIPTION	LIST PRICE
AR43061	Complete Manifold - aluminum	\$177.79
AR42142	EZ start kit	\$11.34
AR42165	Inlet - with o-ring	\$27.86
AR42166	Outlet - with o-ring	\$13.09
AR42141	Grub screw and washer	\$4.72
AR42125	Chemical injection kit	\$8.96
AR46377	Complete Manifold RMW25G28	\$379.06
AR64545	Oil (4.5 oz)	\$15.47

REPAIR KITS

MOD	DESCRIPTION	QTY	LIST PRICE
AR2233	Valves 2 / 2.2 GPM	6	\$20.56
AR42123	Valves 2.5 GPM	6	\$33.84
AR42161	Pistons 2 / 2.2 GPM	3	\$46.98
AR2234	Pistons 2.5 GPM	3	\$46.98
AR42122	Water Seals 2 / 2.2 GPM	3	\$16.96
AR2235	Water Seals 2.5 GPM	3	\$28.11
AR2236	Oil Seals	4	\$21.58
AR2237	O-Rings 2 / 2.2 GPM	16	\$18.21
AR42701	O-Rings 2.5 GPM	16	\$31.74
AR42118	Unloader	16	\$80.38

SRMV

HOLLOW SHAFT PUMP

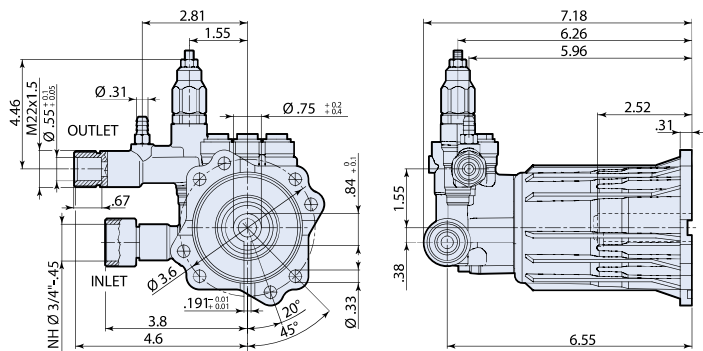


Residential

140° F - Max Water Temp
 3/4" GHA - Inlet Thread
 22mm x 14 M - Discharge Thread
 2.2 oz - Oil Capacity



● aluminum head ○ thermal relief valve ● easy start valve



D version

MOD	MAX	MAX			NET	BORE DIA	STROKE	CRANKSHAFT ID STAMP	LIST PRICE		
	l/min	gpm	bar	psi	ebhp	rpm	lbs	mm	mm	\$	
SRMV 3400rpm D version 3/4" with Gas Engine Flange											
SRMV22G26-EZ ● ○ ●	8.3	2.2	173	2600	3.9	3400	7.5	12	8.3	5	\$280.92
SRMV24G28D-EZ ● ○ ●	9.1	2.4	193	2800	4.6	3400	7.5	12	9.0	3	\$280.92

SPECIAL PARTS / KITS

MOD	DESCRIPTION	LIST PRICE
AR2841340	3/8" Quick Connect Outlet	\$59.50
AR42125	Chemical injector Kit	\$8.96
AR42321	Inlet Kit	\$20.83
AR64545	Oil (4.5 oz)	\$15.47

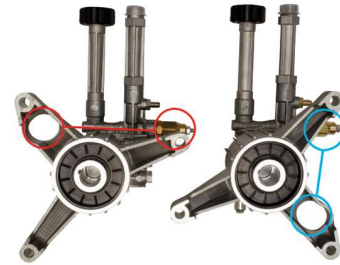
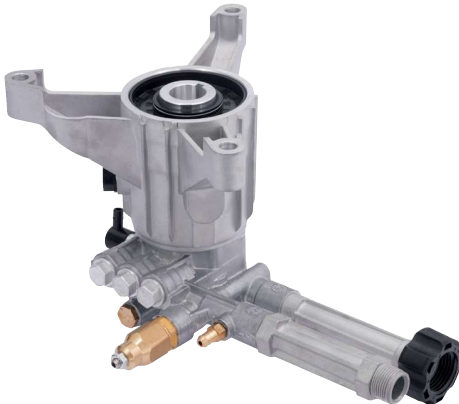
REPAIR KITS

MOD	DESCRIPTION	QTY	LIST PRICE
AR42499	Valves	6	\$32.27
AR42161	Pistons	3	\$46.98
AR42122	Water Seals (SRMV22626)	3	\$16.96
AR2236	Oil Seals (SRMV22626)	4	\$21.58
AR2237	O-Rings (SRMV22626)	16	\$18.21
AR42118	Unloader	1	\$80.38
AR2235	Water Seals (SRMV24G28)	3	\$28.11
AR2236	Oil Seals (SRMV24G28)	4	\$21.58
AR43212	O-Rings (SRMV24G28)	67	\$31.06



SRMW

HOLLOW SHAFT PUMP



***Note:**

- SX Style - left handed pumps have a hole in the leg opposite of the unloader.
- Non-SX Style - right handed pumps have a hole in the leg on the same side as the unloader.

Residential

140° F - Max Water Temp
 3/4" GHA - Inlet Thread
 22mm x 14 M - Discharge Thread
 2.2 oz - Oil Capacity



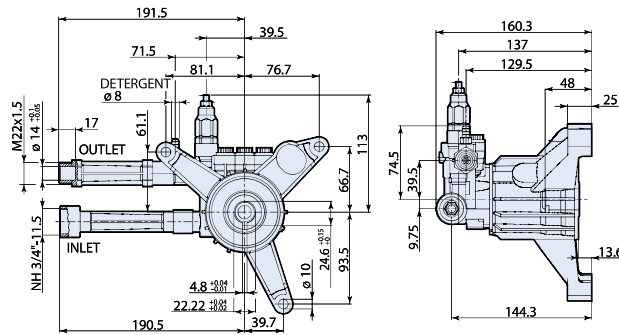
● aluminum head



○ thermal relief valve



● easy start valve



D version

MOD	MAX	MAX			BORE DIA	STROKE	CRANKSHAFT ID STAMP	LIST PRICE
	l/min	gpm	bar	psi	mm	mm		\$
SRMW 3400 rpm D version 7/8" with Vertical Gas Flange								
SRMW22G26-EZ ● ○ ●	8.3	2.2	173	2600	3.9	3400	7.3	12 8.3 5 \$280.92
SRMW24G28-EZ ● ○ ●	9.1	2.4	173	2800	4.6	3400	7.3	12 9.0 3 \$324.60
SRMW22G26-EZ-SX ● ○ ●	8.3	2.2	173	2600	3.9	3400	7.3	12 8.3 5 \$280.92
SRMW24G28-EZ-SX ● ○ ●	9.1	2.4	193	2800	4.6	3400	7.3	12 9.0 3 \$324.60

SX - 180° Rotated Shaft Configuration

SPECIAL PARTS / KITS

MOD	DESCRIPTION	LIST PRICE
AR42940	Complete Manifold - aluminum	\$172.51
AR42142	EZ start kit	\$11.34
AR42165	Inlet - with o-ring	\$27.86
AR42166	Outlet - with o-ring	\$13.09
AR42141	Grub screw and washer	\$4.72
AR42125	Chemical injection kit	\$8.96
AR43361	Complete Manifold SRMW254G28	\$228.98
AR64545	Oil (4.5 oz)	\$15.47

REPAIR KITS

MOD	DESCRIPTION	QTY	LIST PRICE
AR42499	Valves	6	\$32.27
AR42161	Pistons	3	\$46.98
AR42122	Water Seals	3	\$16.96
AR2236	Oil Seals	4	\$21.58
AR2237	O-Rings	16	\$18.21
AR42118	Unloader	16	\$80.38
AR42866	Shutter Valve	6	\$28.73

RXV

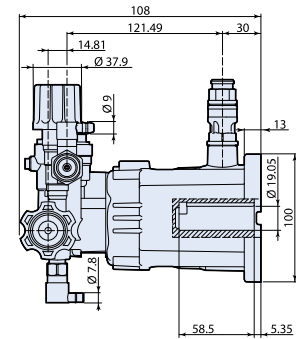
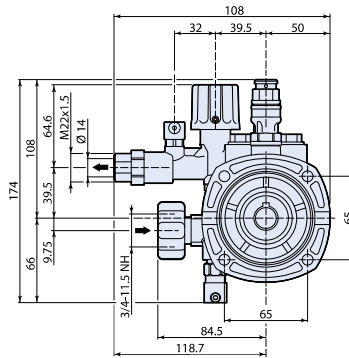
HOLLOW SHAFT PUMP



Residential

140° F - Max Water Temp
 3/4" GHA - Inlet Thread
 22mm x 14 M - Discharge Thread
 3.35 oz - Oil Capacity

● brass head	○ thermal relief valve	● easy start valve



D version

MOD	MAX	MAX		NET	BORE DIA	STROKE	CRANKSHAFT ID STAMP	LIST PRICE			
	l/min	gpm	bar	psi	ebhp	rpm	lbs	mm	mm		\$
RXV 3400rpm D version 3/4" with Gas Engine Flange											
RXV25G30D-EZ ● ○ ●	9.5	2.5	206	3000	5.1	3400	8.8	14	6.8	5	\$442.63
RXV3G30D-EZ ● ○ ●	11.4	3	206	3000	5.5	3400	8.8	14	8.2	3	\$442.63
RXV35G30D-EZ ● ○ ●	13.2	3.5	206	3000	7.2	3400	8.8	14	9.7	1	\$442.63

SPECIAL PARTS / KITS

MOD	DESCRIPTION	LIST PRICE
AR64545	Oil (4.5 oz)	\$15.47

REPAIR KITS

MOD	DESCRIPTION	QTY	LIST PRICE
AR42123	Valves	6	\$33.84
AR42950	Pistons	3	\$33.89
AR42952	Water Seals	3	\$52.84
AR42951	Oil Seals	4	\$24.71
AR42953	O-Rings	17	\$12.93



SJV

HOLLOW SHAFT PUMP



Residential

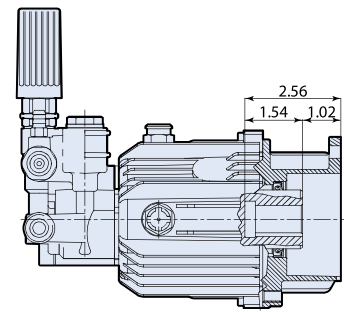
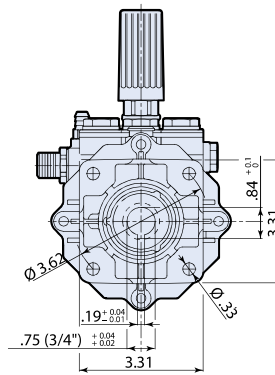
140° F - Max Water Temp
 1/2" M - Inlet Thread
 3/8" M - Discharge Thread
 4.5 oz - Oil Capacity



● brass head



● easy start valve



D version + F7

MOD	MAX	MAX		NET	BORE DIA	STROKE	CRANKSHAFT ID STAMP	LIST PRICE				
	l/min	gpm	bar	psi	ebhp	rpm	lbs	mm	mm		\$	
SJV 3400rpm D version 3/4" with Gas Engine Flange												
SJV25G27D-F7 *	●	9.5	2.5	186	2700	4.5	3400	11	15	5.8	-	\$590.18
SJV25G27D-F7-EZ *	● ●	9.5	2.5	186	2700	4.5	3400	11	15	5.8	-	\$590.18
SJV3G27D-EZ	● ●	11.4	3	186	2700	5.2	3400	11	15	6.8	-	\$590.18

* - With Adjustable Unloader

SPECIAL PARTS / KITS

MOD	DESCRIPTION	LIST PRICE
AR1981801	Spring - EZ Start	\$2.89
AR64545	Oil (4.5 oz)	\$15.47

REPAIR KITS

MOD	DESCRIPTION	QTY	LIST PRICE
AR2869	Valves	6	\$59.29
AR2513	Pistons	3	\$147.77
AR2167	Water Seals	3	\$38.33
AR2591	Oil Seals	4	\$25.07
AR2799	O-Rings	28	\$25.55
AR2594	Unloader (without Knob)	21	\$73.12
AR2858	Unloader (with Knob)	22	\$118.61
AR42125	Chemical Injector	3	\$8.96

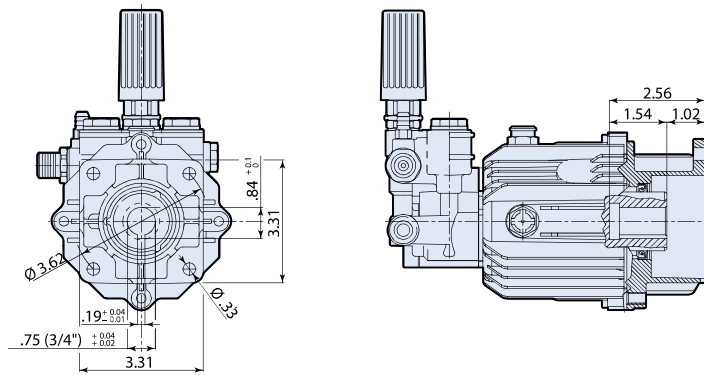


Residential

140° F - Max Water Temp
 1/2" M - Inlet Thread
 3/8" M - Discharge Thread
 4.5 oz - Oil Capacity



● brass head



E version + F8

MOD	MAX	MAX		NET	BORE DIA	STROKE	CRANKSHAFT ID STAMP	LIST PRICE			
	l/min	gpm	bar	psi	ebhp	rpm	lbs	mm	mm		\$
XJV 3400 rpm E version 5/8" with Nema 56-C Flange											
XJV2G15E-F8 * ●	7.6	2	100	1500	2.0	3400	11	15	4.8	-	\$590.18
XJV3G20E-F8 * ●	11.4	3	140	2000	4.0	3400	11	15	6.8	-	\$590.18

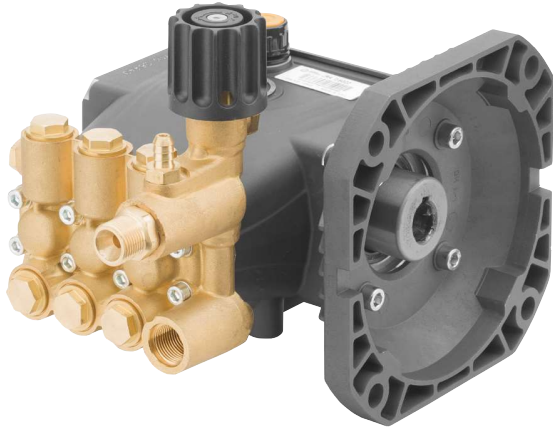
* - With Adjustable Unloader

SPECIAL PARTS / KITS

MOD	DESCRIPTION	LIST PRICE
AR1981801	Spring - EZ Start	\$2.89
AR64545	Oil (4.5 oz)	\$15.47

REPAIR KITS

MOD	DESCRIPTION	QTY	LIST PRICE
AR2869	Valves	6	\$59.29
AR2513	Pistons	3	\$147.77
AR2167	Water Seals	3	\$38.33
AR2591	Oil Seals	4	\$25.07
AR2799	O-Rings	28	\$25.55
AR2594	Unloader (without Knob)	21	\$73.12
AR2858	Unloader (with Knob)	22	\$118.61
AR42125	Chemical Injector	3	\$8.96



Residential

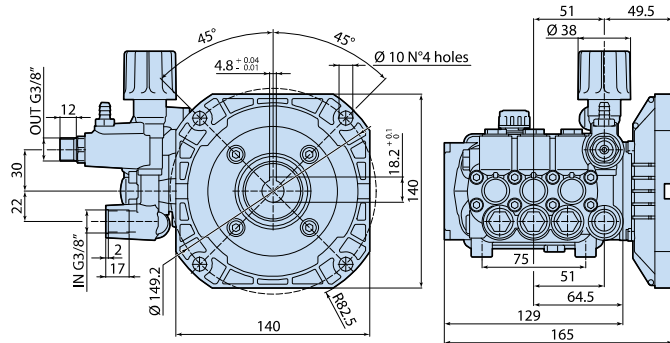
140° F - Max Water Temp
 3/8" F - Inlet Thread
 3/8" M - Discharge Thread
 5.43 oz - Oil Capacity



● brass head



○ aluminum connecting rods



E version + F8

MOD	MAX	MAX		NET	BORE DIA	STROKE	CRANKSHAFT ID STAMP	LIST PRICE			
	l/min	gpm	bar	psi	ebhp	rpm	lbs	mm	mm		\$

JRA 1750rpm E version 5/8" with Nema 56-C Flange

JRA25G22E-F8 ● ○ 9.2 2.4 150 2200 3.7 1750 8.81 14 11.5 1 \$649.19

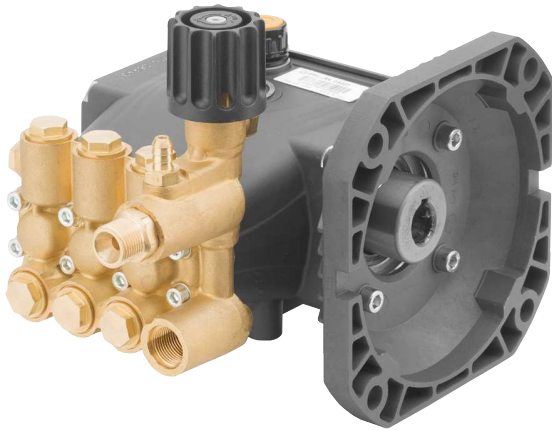
* - With Adjustable Unloader

SPECIAL PARTS / KITS

MOD	DESCRIPTION	LIST PRICE
AR64516	Oil (16 oz)	\$15.80

REPAIR KITS

MOD	DESCRIPTION	QTY	LIST PRICE
AR43478	Valves	6	\$16.62
AR43894	Pistons	3	\$206.71
AR43896	Water Seals	9	\$59.39
AR46148	Oil Seals	6	\$29.91
AR43482	O-Rings	20	\$12.34



Residential

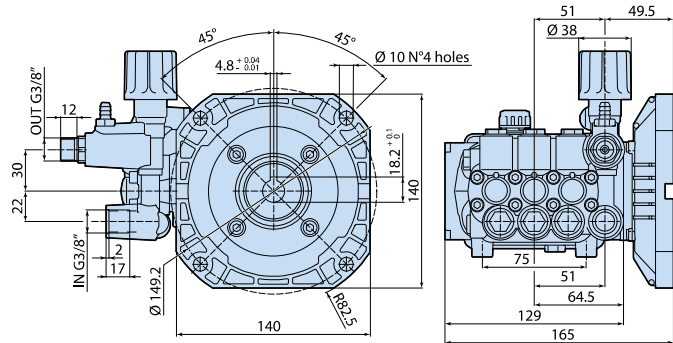
140° F - Max Water Temp
 3/8" F - Inlet Thread
 3/8" M - Discharge Thread
 5.43 oz - Oil Capacity



● brass head



○ aluminum connecting rods



E version + F8

MOD	MAX	MAX		NET	BORE DIA	STROKE	CRANKSHAFT ID STAMP	LIST PRICE	
	l/min	gpm	bar	psi	ebhp	rpm	lbs	mm	
JRV 3400rpm E version 5/8" with Nema 56-C Flange									
JRV2G25E-F8 ● ○	7.6	2	172	2500	3.4	3400	8.81	12 7 3	\$649.19
JRV3G20E-F8 ● ○	11.4	3	140	2000	4.1	3400	8.81	12 10.7 2	\$649.19

SPECIAL PARTS / KITS

MOD	DESCRIPTION	LIST PRICE
AR64516	Oil (16 oz)	\$15.80

REPAIR KITS

MOD	DESCRIPTION	QTY	LIST PRICE
AR43478	Valves	6	\$16.62
AR43479	Pistons	3	\$160.53
AR43481	Water Seals	3	\$29.23
AR43557	Oil Seals	6	\$19.16
AR43482	O-Rings	20	\$12.34
AR43988	Unloader	22	\$54.98



JRV-F7

HOLLOW SHAFT PUMP



Residential

140° F - Max Water Temp
 3/8" F - Inlet Thread
 3/8" M - Discharge Thread
 5.43 oz - Oil Capacity



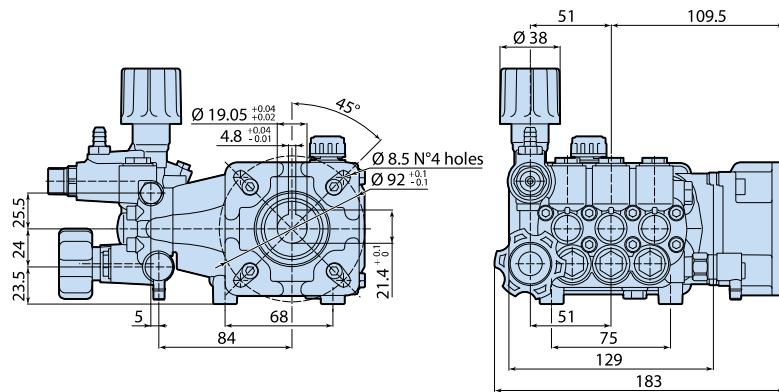
● brass head



○ aluminum connecting rods



● easy start valve



D version + F7

MOD	MAX	MAX		NET	BORE DIA	STROKE	CRANKSHAFT ID STAMP	LIST PRICE
	l/min	gpm	bar	psi	ebhp	rpm	lbs	mm

JRV 3400rpm D version 3/4" with Gas Engine Flange												
JRV25G30D-F7-EZ	● ○ ●	9.4	2.5	207	3000	5.0	3400	8.9	12	8.8	4	\$649.19
JRV3G30D-F7-EZ	● ○ ●	11.4	3	206	3000	6.2	3400	8.9	12	10.7	2	\$649.19
JRV3G30D-F7	● ○	11.4	3	140	2000	4.1	3400	8.81	12	10.7	2	\$649.19

SPECIAL PARTS / KITS

MOD	DESCRIPTION	LIST PRICE
AR64516	Oil (16 oz)	\$15.80

REPAIR KITS

MOD	DESCRIPTION	QTY	LIST PRICE
AR43478	Valves	6	\$16.62
AR43479	Pistons	3	\$160.53
AR43481	Water Seals	3	\$29.23
AR43557	Oil Seals	6	\$19.16
AR43482	O-Rings	20	\$12.34
AR43988	Unloader	22	\$54.98



COMMERCIAL PUMPS

RC
RCA
RCV
RCVU
XT
XTA
XTV
XM
XMA
XMV

SXMV
RR
RRA
RRV
RK
RKA
RKV
RG
RGA
SRG

XW
XWA
XWT
XWF
XWL
XWLA
SXW
SXWA
RGX



Wide range of pump options. Gas Engine and Electric Motor Direct Drives. As well as solid shaft pumps for Direct or Pulley driving.

Applications include: hot & cold pressure washer, jetters, misting, cooling system, rinse down systems, car wash, etc.

*Pressures ranging from 1,500-5,000 psi.
Flow ranging from 2 gpm-13 gpm.*



Stainless-steel head version available on request.

Commercial

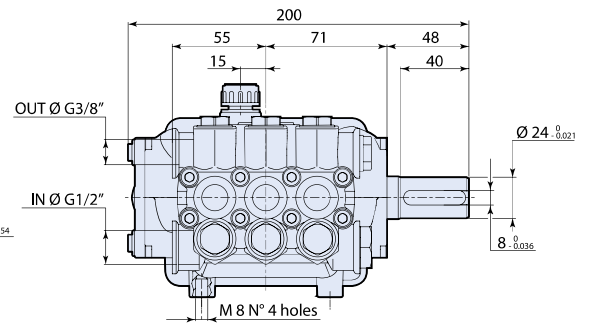
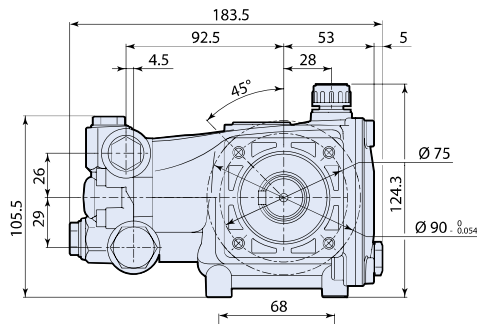
140° F - Max Water Temp
 1/2" F - Inlet Thread
 3/8" F - Discharge Thread
 9.81 oz - Oil Capacity



● brass head



○ aluminum connecting rods



N version

MOD	MAX	MAX		NET	BORE DIA	STROKE	CRANKSHAFT ID STAMP	LIST PRICE			
	l/min	gpm	bar	psi	ebhp	rpm	lbs	mm	mm		\$
RC 1450rpm N version 24mm with Solid Shaft											
RC12.17N ● ○	12	3.2	170	2500	5.5	1450	10	18	11.2	3	\$610.23
RC13.17N ● ○	13	3.4	170	2500	5.8	1450	10	18	12.2	2	\$610.23

SPECIAL PARTS / KITS

MOD	DESCRIPTION	LIST PRICE
AR2633	Rail Kit 1-3/4" (2 rails & 4 bolts)	\$35.18
AR2633H	Rail Kit 2-5/8" (2 rails & 4 bolts)	\$46.40
AR3201430	Tapped Valve Cap Brass (1/8" NPT Tap)	\$36.09
AR64516	Oil (16 oz)	\$15.80

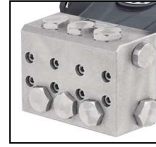
REPAIR KITS

MOD	DESCRIPTION	QTY	LIST PRICE
AR2186	Valves	6	\$62.00
AR42467	Pistons	3	\$60.27
AR42469	Water Seals	3	\$79.63
AR42468	Oil Seals	4	\$18.17
AR42470	O-Rings	15	\$20.34
AR2745	Support Ring	3	\$6.75



RCA

SOLID SHAFT PUMP



Stainless-steel head version available on request.

Commercial

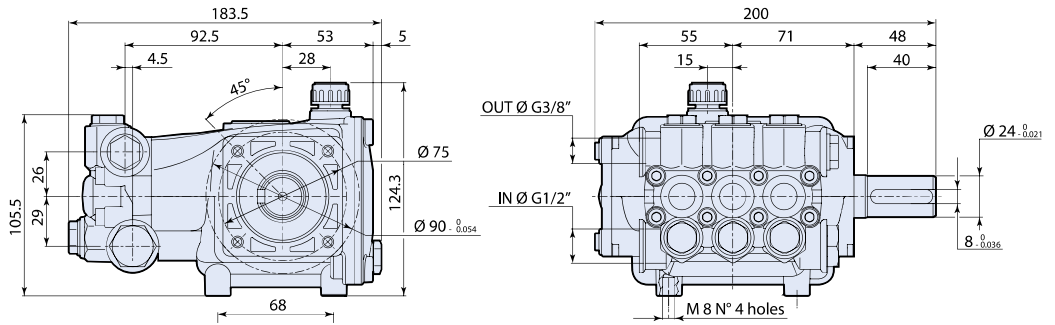
140° F - Max Water Temp
 1/2" F - Inlet Thread
 3/8" F - Discharge Thread
 9.81 oz - Oil Capacity



● brass head



○ aluminum connecting rods



N version

MOD	MAX	MAX	MAX	MAX	MAX	NET	BORE DIA	STROKE	CRANKSHAFT ID STAMP	LIST PRICE	
	l/min	gpm	bar	psi	ebhp	rpm	lbs	mm	mm	\$	
RCA 1750rpm N version 24mm Solid Shaft											
RCA25G25N	9.5	2.5	170	2500	4.3	1750	10	18	6.5	8	\$610.23
RCA3G25N	11.4	3	170	2500	5.1	1750	10	18	8.2	6	\$610.23
RCA35G25N	13.2	3.5	170	2500	6.0	1750	10	18	10	4	\$610.23

SPECIAL PARTS / KITS

MOD	DESCRIPTION	LIST PRICE
AR2633	Rail Kit 1-3/4" (2 rails & 4 bolts)	\$35.18
AR2633H	Rail Kit 2-5/8" (2 rails & 4 bolts)	\$46.40
AR3201430	Tapped Valve Cap Brass (1/8" NPT Tap)	\$36.09
AR64516	Oil (16 oz)	\$15.80

REPAIR KITS

MOD	DESCRIPTION	QTY	LIST PRICE
AR2186	Valves	6	\$62.00
AR42467	Pistons	3	\$60.27
AR42469	Water Seals	3	\$79.63
AR42468	Oil Seals	4	\$18.17
AR42470	O-Rings	15	\$20.34
AR2745	Support Ring	3	\$6.75

RCA-F8

HOLLOW SHAFT PUMP



Commercial

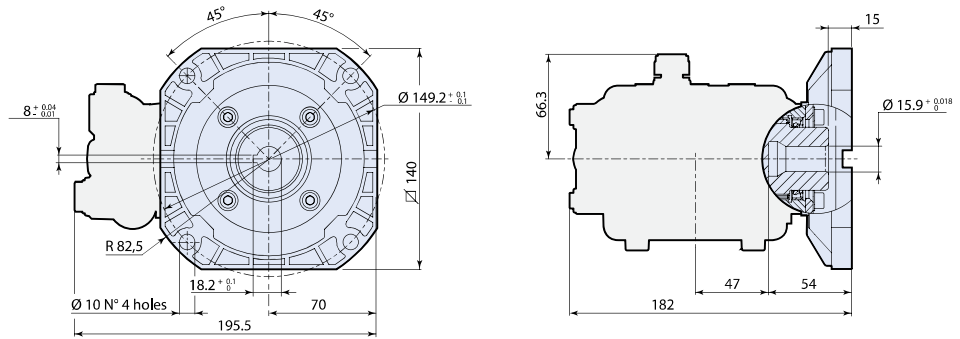
140° F - Max Water Temp
 1/2" F - Inlet Thread
 3/8" F - Discharge Thread
 9.81 oz - Oil Capacity



● brass head



○ aluminum connecting rods



E version + F8

MOD	MAX	MAX		NET	BORE DIA	STROKE	CRANKSHAFT ID STAMP	LIST PRICE				
	l/min	gpm	bar	psi	ebhp	rpm	lbs	mm	mm		\$	
RCA 1750rpm E version 5/8" with Nema 56-C Flange												
RCA2G22E-F8	● ○	8	2	150	2200	3.0	1750	11	18	5.6	9	\$649.19
RCA2G22E-F8SX	● ○	8	2	150	2200	3.0	1750	11	18	5.6	9	\$649.19
RCA3G25E-F8	● ○	11.4	3	170	2500	5.1	1750	11	18	8.2	6	\$649.19
RCA35G16E-F8	● ○	13.2	3.5	110	1600	3.8	1750	11	18	10	4	\$649.19

SX - 180° Rotated Shaft Configuration

SPECIAL PARTS / KITS

MOD	DESCRIPTION	LIST PRICE
AR3201430	Tapped Valve Cap Brass (1/8" NPT Tap)	\$36.09
AR64516	Oil (16 oz)	\$15.80

REPAIR KITS

MOD	DESCRIPTION	QTY	LIST PRICE
AR2186	Valves	6	\$62.00
AR42467	Pistons	3	\$60.27
AR42469	Water Seals	3	\$79.63
AR42474	Oil Seals	4	\$30.18
AR42470	O-Rings	15	\$20.34
AR2745	Support Ring	3	\$6.75



RCV-F8

HOLLOW SHAFT PUMP



Commercial

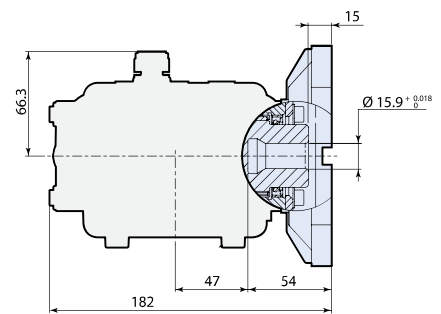
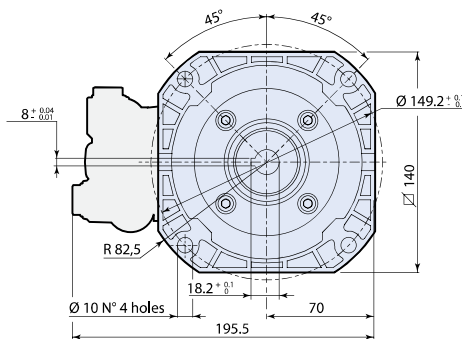
140° F - Max Water Temp
 1/2" F - Inlet Thread
 3/8" F - Discharge Thread
 9.81 oz - Oil Capacity



● brass head



○ aluminum connecting-rods



E version + F8

MOD	MAX	MAX		NET	BORE DIA	STROKE	CRANKSHAFT ID STAMP	LIST PRICE			
	l/min	gpm	bar	psi	ebhp	rpm	lbs	mm	mm		\$
RCV 3400rpm E version 5/8" with Nema 56-C Flange											
RCV2G25E-F8 ● ○	8	2	170	2500	3.4	3400	11	15	4.4	11	\$649.19
RCV3G25E-F8 ● ○	11.4	3	170	2500	5.1	3400	11	15	6.5	8	\$649.19

SPECIAL PARTS / KITS

MOD	DESCRIPTION	LIST PRICE
AR3201430	Tapped Valve Cap Brass (1/8" NPT Tap)	\$36.09
AR64516	Oil (16 oz)	\$15.80

REPAIR KITS

MOD	DESCRIPTION	QTY	LIST PRICE
AR2186	Valves	6	\$62.00
AR42475	Pistons	3	\$119.30
AR42476	Water Seals	3	\$51.10
AR42474	Oil Seals	4	\$30.18
AR42470	O-Rings	15	\$20.34
AR2191	Support Ring	3	\$7.21

RCV-F8

HOLLOW SHAFT PUMP



Commercial

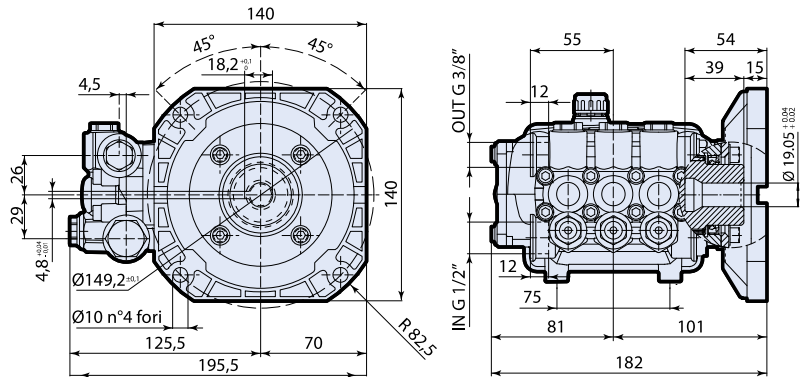
140° F - Max Water Temp
 1/2" F - Inlet Thread
 3/8" F - Discharge Thread
 9.81 oz - Oil Capacity



● brass head



○ aluminum connecting-rods



D version + F8

MOD	MAX	MAX		NET	BORE DIA	STROKE	CRANKSHAFT ID STAMP	LIST PRICE			
	l/min	gpm	bar	psi	ebhp	rpm	lbs	mm	mm		\$
RCV 3400rpm D version 3/4" with Nema 56-C Flange											
RCV25G27D-F8 ● ○	9.5	2.5	1086	2700	5.6	3400	11	15	5.6	9	\$649.19
RCV3G27D-F8 ● ○	11.4	3	1086	2700	5.6	3400	11	15	6.5	8	\$649.19

SPECIAL PARTS / KITS

MOD	DESCRIPTION	LIST PRICE
AR64516	Oil (16 oz)	\$15.80

REPAIR KITS

MOD	DESCRIPTION	QTY	LIST PRICE
AR2186	Valves	6	\$62.00
AR42475	Pistons	3	\$119.30
AR42476	Water Seals	3	\$51.10
AR42474	Oil Seals	4	\$30.18
AR42470	O-Rings	15	\$20.34
AR2191	Support Ring	3	\$7.21
AR43434	Hot Water Seal Kit	3	\$536.20



RCV-F7

HOLLOW SHAFT PUMP



Commercial

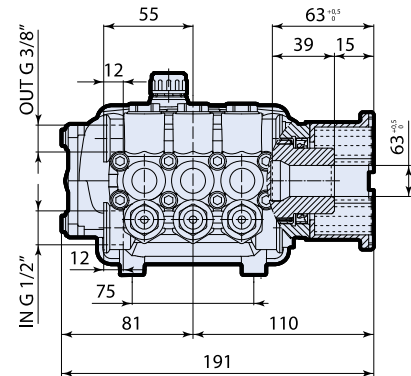
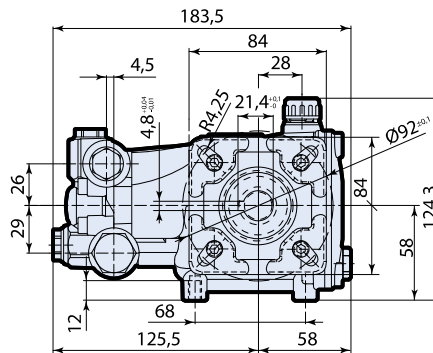
140° F - Max Water Temp
 1/2" F - Inlet Thread
 3/8" F - Discharge Thread
 9.81 oz - Oil Capacity



● brass head



○ aluminum connecting rods



D version + F7

MOD	MAX	MAX			BORE DIA	STROKE	CRANKSHAFT ID STAMP	LIST PRICE
	l/min	gpm	bar	psi	ebhp	rpm	lbs	mm

RCV 3400rpm D version 3/4" with Gas Engine Flange

RCV2G22D-F7	● ○	8	2	150	2200	3.0	3400	11	15	4.4	11	\$649.19
RCV25G27D-F7-SX	● ○	9.5	2.5	186	2700	4.6	3400	11	15	5.6	9	\$649.19
RCV25G27D-F7	● ○	9.5	2.5	186	2700	4.6	3400	11	15	5.6	9	\$649.19
RCV3G27D-F7	● ○	11.4	3	186	2700	5.6	3400	11	15	6.5	8	\$649.19
RCV35G25D-F7	● ○	13.2	3.5	170	2500	6.0	3400	11	15	7.4	7	\$649.19

SX - 180° Rotated Shaft Configuration

SPECIAL PARTS / KITS

MOD	DESCRIPTION	LIST PRICE
AR64516	Oil (16 oz)	\$15.80

REPAIR KITS

MOD	DESCRIPTION	QTY	LIST PRICE
AR2186	Valves	6	\$62.00
AR42475	Pistons	3	\$119.30
AR42476	Water Seals	3	\$51.10
AR42474	Oil Seals	4	\$30.18
AR42470	O-Rings	15	\$20.34
AR2191	Support Ring	3	\$7.21
AR43434	Hot Water Seal Kit	3	\$536.20

RCVU-F7

HOLLOW SHAFT PUMP



Commercial

140° F - Max Water Temp
 1/2" F - Inlet Thread
 3/8" F - Discharge Thread
 9.81 oz - Oil Capacity



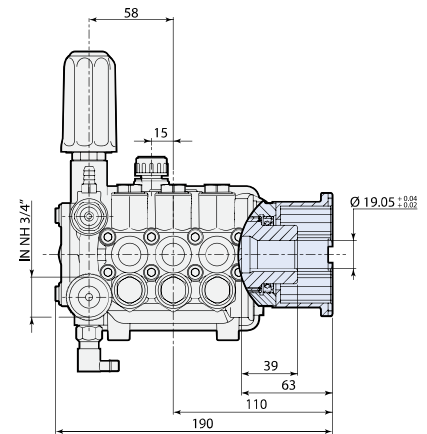
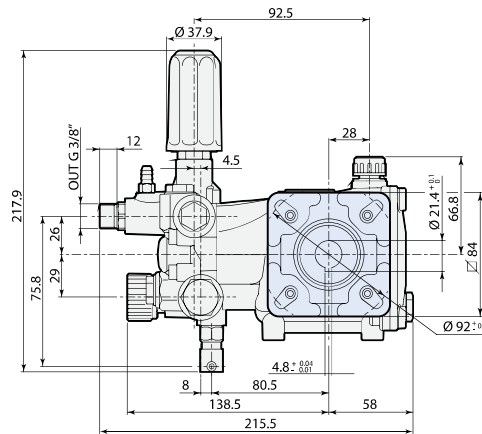
● brass head



○ aluminum connecting-rods



● easy start valve



D version + F7

MOD	MAX	MAX			BORE DIA	STROKE	CRANKSHAFT ID STAMP	LIST PRICE
	l/min	gpm	bar	psi	mm	mm		\$
RCVU 3400rpm D version 3/4" with Gas Engine Flange								
RCVU25G27D-F7-EZ ● ○ ●	11.4	2.5	186	2700	5.6	3400	11	\$753.06
RCVU3G27D-F7-EZ ● ○ ●	11.4	3	186	2700	5.6	3400	11	\$753.06
RCVU35G25D-F7-EZ ● ○ ●	11.4	3.5	186	2500	5.6	3400	11	\$753.06

SPECIAL PARTS / KITS

MOD	DESCRIPTION	LIST PRICE
AR64516	Oil (16 oz)	\$15.80

REPAIR KITS

MOD	DESCRIPTION	QTY	LIST PRICE
AR2186	Valves	6	\$62.00
AR42475	Pistons	3	\$119.30
AR42476	Water Seals	3	\$51.10
AR42474	Oil Seals	4	\$30.18
AR42470	O-Rings	15	\$20.34
AR2191	Support Ring	3	\$7.21
AR43434	Hot Water Seal Kit	3	\$536.20
AR42712	Unloader Kit	22	\$83.62



XT

SOLID SHAFT PUMP



Commercial

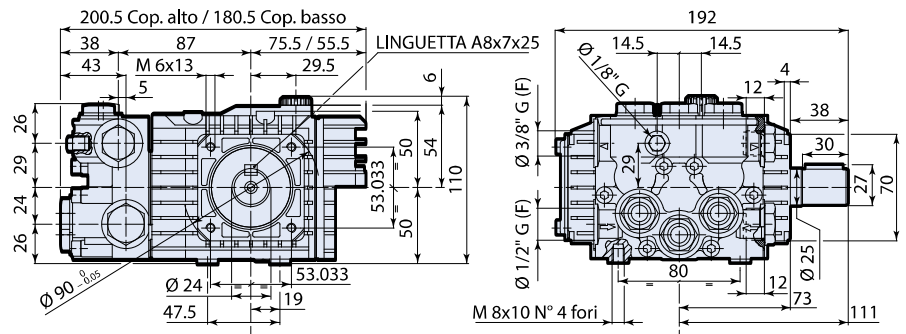
140° F - Max Water Temp
 1/2" F - Inlet Thread
 3/8" F - Discharge Thread
 10 oz - Oil Capacity



● brass head



○ bronze connecting rods



N version

MOD	MAX	MAX			NET	BORE DIA	STROKE	CRANKSHAFT ID STAMP	LIST PRICE		
	l/min	gpm	bar	psi	ebhp	rpm	lbs	mm	mm	\$	
XT 1450rpm N version 24mm Solid Shaft											
XT814N ● ○	8	2.11	140	2000	3.0	1450	11	15	11	6	\$720.01

SPECIAL PARTS / KITS

MOD	DESCRIPTION	LIST PRICE
AR1836	Rail Kit 3/8" (2 rails & 4 bolts)	\$26.67
AR1836H	Rail Kit 1-1/2" (2 rails & 4 bolts)	\$35.18
AR2029	Viton Water Seals ø 15	\$341.56
AR2815	Kit for up to 180° F ø 15 High Temp	\$507.10
AR1260162T	Valve Cap 1/4" Threaded	\$14.16
AR64516	Oil (16 oz)	\$15.80

REPAIR KITS

MOD	DESCRIPTION	QTY	LIST PRICE
AR1864	Valves	6	\$59.29
AR2628	Pistons ø 15	3	\$147.83
AR2520	Water Seals ø 15	3	\$104.81
AR1872	Oil Seals	6	\$48.95



XTA-F8

HOLLOW SHAFT PUMP



Commercial

140° F - Max Water Temp
 1/2" F - Inlet Thread
 3/8" F - Discharge Thread
 8 oz - Oil Capacity PSI ≤ 1600 PSI
 10 oz - Oil Capacity PSI ≥ 1600 PSI



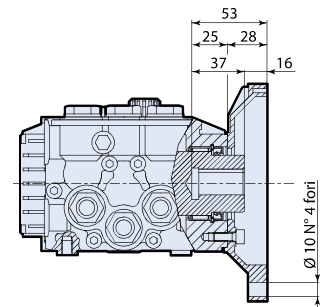
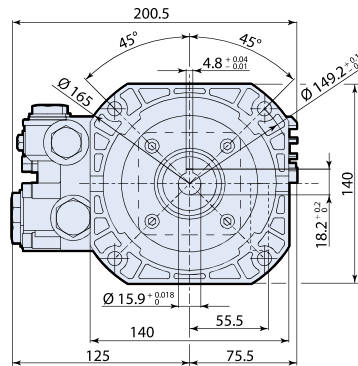
● brass head



○ bronze connecting-rods



○ aluminum connecting-rods



E version + F8

MOD	MAX	MAX		NET	BORE DIA	STROKE	CRANKSHAFT ID STAMP	LIST PRICE				
	l/min	gpm	bar	psi	ebhp	rpm	lbs	mm	mm		\$	
XTA 1750rpm E version 5/8" with Nema 56-C Flange												
XTA0.5G10EBA-F8	● ○	1.9	0.5	69	1000	0.4	1750	8.5	15	2.2	Z	\$767.23
XTA1G15E-F8	● ○	3.8	1	103	1500	1.0	1750	10	15	4.8	D	\$767.23
XTA2G15EBA-F8	● ○	8	2.11	124	1800	2.6	1750	10	15	9.6	5	\$767.23
XTA2G22E-F8	● ○	8	2.11	152	2200	3.2	1750	11	15	9.6	5	\$814.44
XTA3G16EBA-F8	● ○	11.4	3	110	1600	3.3	1750	10	18	9.6	5	\$790.83
XTA3G22E-F8	● ○	11.4	3	150	2200	4.5	1750	11	18	9.6	5	\$838.04

SPECIAL PARTS / KITS

MOD	DESCRIPTION	LIST PRICE
AR2029	Viton Water Seals ø 15	\$341.56
AR2030	Viton Water Seals ø 18	\$358.04
AR2815	Kit for up to 180° F ø 15 High Temp	\$507.10
AR2816	Kit for up to 180° F ø 18 High Temp	\$519.75
AR1260162T	Valve Cap 1/4" Threaded	\$14.16
AR64516	Oil (16 oz)	\$15.80

REPAIR KITS

MOD	DESCRIPTION	QTY	LIST PRICE
AR1864	Valves	6	\$59.29
AR2628	Pistons ø 15	3	\$147.83
AR2629	Pistons ø 18	3	\$206.30
AR2520	Water Seals ø 15	3	\$104.81
AR1874	Water Seals ø 18	3	\$108.41
AR1860	Oil Seals	6	\$56.36


XTV-F7

HOLLOW SHAFT PUMP




Commercial


- 140° F - Max Water Temp
- 1/2" F - Inlet Thread
- 3/8" F - Discharge Thread
- 8 oz - Oil Capacity PSI ≤ 1600 PSI
- 10 oz - Oil Capacity PSI ≥ 1600 PSI



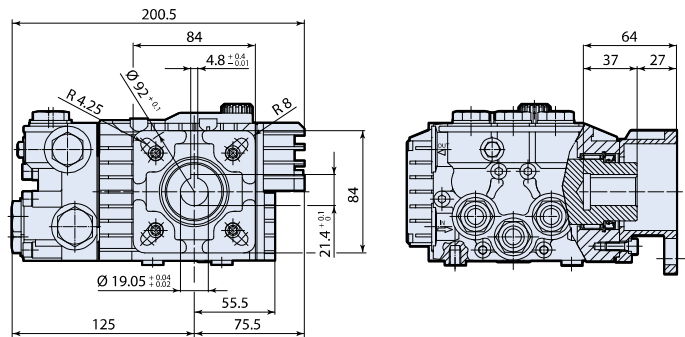
● brass head










○ bronze connecting-rods



○ aluminum connecting-rods



D version + F7

MOD	 MAX	 gpm	 bar	 MAX	psi	 ebhp	 rpm	 NET	lbs	BORE DIA	STROKE	CRANKSHAFT ID STAMP	LIST PRICE
	l/min									mm	mm		\$
XTV 3400rpm D version 3/4" with Gas Engine Flange													
XTV2G15DBA-F7 ● ○	8	2.11	103	1500	2.2	3400	10	15	4.8	D			\$767.23
XTV3G22D-F7 ● ○	11.4	3	150	2200	4.5	3400	11	15	7.2	C			\$814.44

SPECIAL PARTS / KITS

MOD	DESCRIPTION	LIST PRICE
AR2029	Viton Water Seals ø 15	\$341.56
AR2815	Kit for up to 180° F ø 15 High Temp	\$507.10
AR1260162T	Valve Cap 1/4" Threaded	\$14.16
AR64516	Oil (16 oz)	\$15.80

REPAIR KITS

MOD	DESCRIPTION	QTY	LIST PRICE
AR1864	Valves	6	\$59.29
AR2628	Pistons ø 15	3	\$147.83
AR2520	Water Seals ø 15	3	\$104.81
AR1860	Oil Seals	6	\$56.36



XTV-F8

HOLLOW SHAFT PUMP



Commercial

140° F - Max Water Temp
 1/2" F - Inlet Thread
 3/8" F - Discharge Thread
 8 oz - Oil Capacity PSI ≤ 1600 PSI
 10 oz - Oil Capacity PSI ≥ 1600 PSI



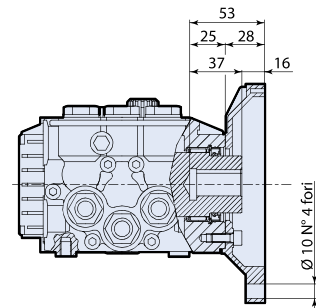
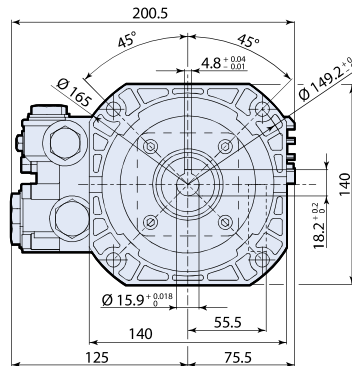
● brass head



○ bronze connecting-rods



○ aluminum connecting-rods



E version + F8

MOD	MAX	MAX			BORE DIA	STROKE	CRANKSHAFT ID STAMP	LIST PRICE				
	l/min	gpm	bar	psi	ebhp	rpm	lbs	mm				
XTV 3400rpm E version 5/8" with Nema 56-C Flange												
XTV0.5G10E-F8	● ○	1.9	0.5	69	1000	0.4	3400	8.5	15	1.5	Z	\$767.23
XTV2G15EBA-F8	● ○	8	2.11	103	1500	2.2	3400	10	15	4.8	D	\$767.23
XTV3G16E-F8	● ○	11.4	3	110	1600	3.3	3400	10	15	7.2	C	\$767.23
XTV3G22E-F8	● ○	11.4	3	150	2200	4.5	3400	11	15	7.2	C	\$814.44

SPECIAL PARTS / KITS

MOD	DESCRIPTION	LIST PRICE
AR2029	Viton Water Seals ø 15	\$341.56
AR2815	Kit for up to 180° F ø 15 High Temp	\$507.10
AR1260162T	Valve Cap 1/4" Threaded	\$14.16
AR64516	Oil (16 oz)	\$15.80

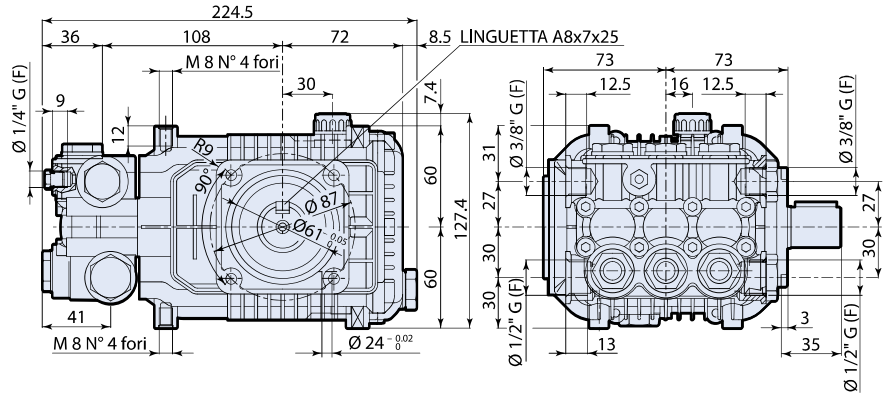
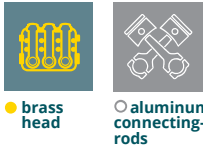
REPAIR KITS

MOD	DESCRIPTION	QTY	LIST PRICE
AR1864	Valves	6	\$59.29
AR2628	Pistons ø 15	3	\$147.83
AR2520	Water Seals ø 15	3	\$104.81
AR1860	Oil Seals	6	\$56.36



Commercial

140° F - Max Water Temp
 1/2" F - Inlet Thread
 3/8" F - Discharge Thread
 14.5 oz - Oil Capacity



N version

MOD	MAX l/min	MAX gpm	MAX bar	MAX psi	MAX ebhp	MAX rpm	NET lbs	BORE DIA mm	STROKE mm	CRANKSHAFT ID STAMP	LIST PRICE \$
XM 1450rpm N version 24mm Solid Shaft											
XM1117N	11	2.9	206	3000	6.0	3400	14	15	15.4	1	\$684.60
XM1515N	15	4.0	206	3000	8.2	3400	14	18	14.2	2	\$708.21

SPECIAL PARTS / KITS

MOD	DESCRIPTION	LIST PRICE
AR2729	Rail Kit 5/8" (2 rails & 4 bolts)	\$32.02
AR2633	Rail Kit 1-3/4" (2 rails & 4 bolts)	\$35.18
AR2633H	Rail Kit 2-5/8" (2 rails & 4 bolts)	\$46.40
AR2776	Viton Water Seals Ø 15	\$360.60
AR2777	Viton Water Seals Ø 18	\$360.60
AR2817	Kit for up to 180° F Ø 15 High Temp	\$411.87
AR2818	Kit for up to 180° F Ø 18 High Temp	\$414.42
AR42212	Kit for up to 180° F Ø 15 High Temp (Teflon)	\$636.50
AR64516	Oil (16 oz)	\$15.80

REPAIR KITS

MOD	DESCRIPTION	QTY	LIST PRICE
AR1864	Valves	6	\$59.29
AR2544	Pistons Ø 15	3	\$179.97
AR2545	Pistons Ø 18	3	\$200.69
AR2741	Water Seals Ø 15	3	\$108.65
AR2747	Water Seals Ø 18	3	\$119.51
AR2786	Oil Seals	6	\$48.32
AR2740	Support Ring Ø 15	3	\$13.54
AR2745	Support Ring Ø 18	3	\$6.75



Commercial

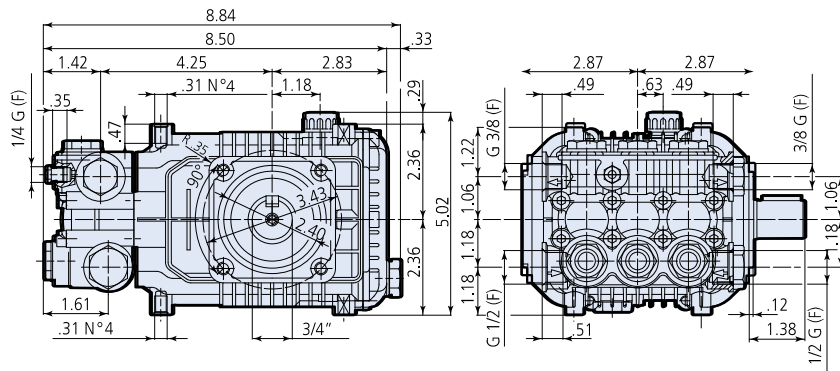
140° F - Max Water Temp
 1/2" F - Inlet Thread
 3/8" F - Discharge Thread
 14.5 oz - Oil Capacity



● brass head



○ aluminum connecting rods



N version

MOD	MAX l/min	MAX gpm	MAX bar	MAX psi	MAX ebhp	MAX rpm	NET lbs	BORE DIA mm	STROKE mm	CRANKSHAFT ID STAMP	LIST PRICE \$
-----	--------------	------------	------------	------------	-------------	------------	------------	----------------	--------------	---------------------	------------------

XMA 1750rpm N version 3/4" Solid Shaft

XMA35G22N ● ○	13.2	3.5	170	2500	6.0	1750	14	15	15.4	1	\$708.21
---------------	------	-----	-----	------	-----	------	----	----	------	---	----------

SPECIAL PARTS / KITS

MOD	DESCRIPTION	LIST PRICE
AR2729	Rail Kit 5/8" (2 rails & 4 bolts)	\$32.02
AR2633	Rail Kit 1-3/4" (2 rails & 4 bolts)	\$35.18
AR2633H	Rail Kit 2-5/8" (2 rails & 4 bolts)	\$46.40
AR2776	Viton Water Seals ø 15	\$360.60
AR2777	Viton Water Seals ø 18	\$360.60
AR2817	Kit for up to 180° F ø 15 High Temp	\$411.87
AR2818	Kit for up to 180° F ø 18 High Temp	\$414.42
AR42212	Kit for up to 180° F ø 15 High Temp Teflon	\$636.50
AR64516	Oil (16 oz)	\$15.80

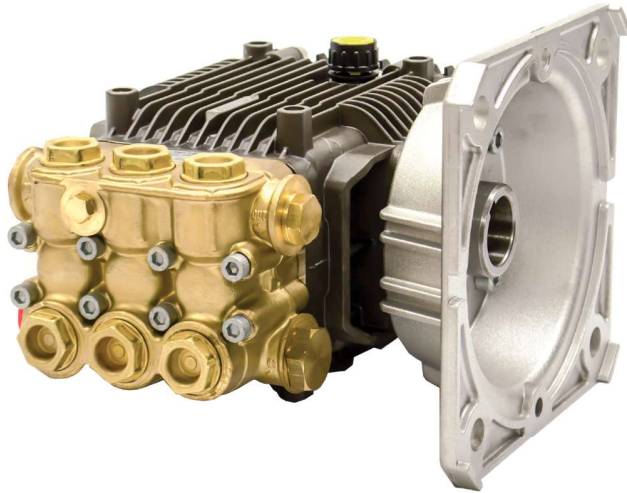
REPAIR KITS

MOD	DESCRIPTION	QTY	LIST PRICE
AR1864	Valves	6	\$59.29
AR2544	Pistons ø 15	3	\$179.97
AR2545	Pistons ø 18	3	\$200.69
AR2741	Water Seals ø 15	3	\$108.65
AR2747	Water Seals ø 18	3	\$119.51
AR2786	Oil Seals	6	\$48.32
AR2740	Support Ring ø 15	3	\$13.54
AR2745	Support Ring ø 18	3	\$6.75



XMA-F17

HOLLOW SHAFT PUMP



Commercial

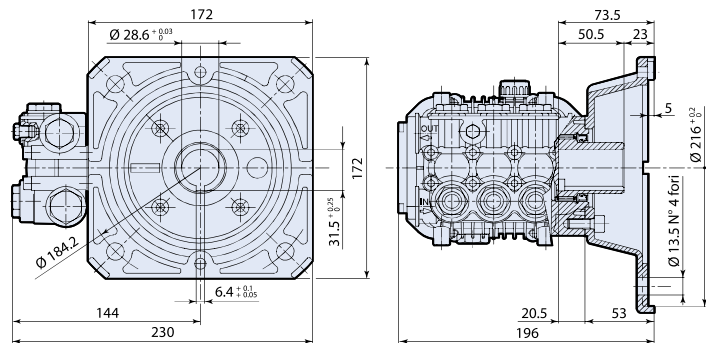
140° F - Max Water Temp
 1/2" F - Inlet Thread
 3/8" F - Discharge Thread
 14.5 oz - Oil Capacity



● brass head



○ aluminum connecting rods



E version + F17

MOD	MAX	MAX		NET	BORE DIA	STROKE	CRANKSHAFT ID STAMP	LIST PRICE
	l/min	gpm	bar	psi	ebhp	rpm	lbs	mm
XMA 1750rpm E version 1-1/8" with Nema 182-184 Flange								
XMA3G30E-F17 ● ○	11.4	3	206	3000	6.2	1750	15	15
XMA35G25E-F17 ● ○	13.2	3.5	170	2500	6.0	1750	15	15

SPECIAL PARTS / KITS

MOD	DESCRIPTION	LIST PRICE
AR2776	Viton Water Seals $\varnothing 15$	\$360.60
AR2817	Kit for up to 180° F $\varnothing 15$ High Temp	\$411.87
AR64516	Oil (16 oz)	\$15.80

REPAIR KITS

MOD	DESCRIPTION	QTY	LIST PRICE
AR1864	Valves	6	\$59.29
AR2544	Pistons $\varnothing 15$	3	\$179.97
AR2741	Water Seals $\varnothing 15$	3	\$108.65
AR2787	Oil Seals	6	\$59.70
AR2740	Support Ring $\varnothing 15$	3	\$13.54



Commercial

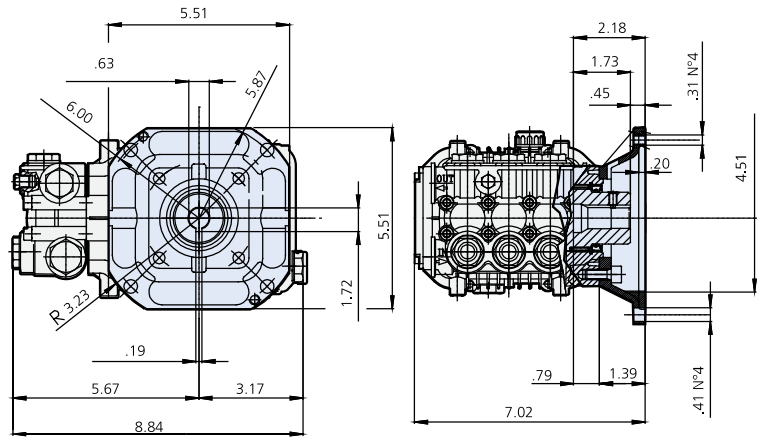
140° F - Max Water Temp
 1/2" F - Inlet Thread
 3/8" F - Discharge Thread
 14.5 oz - Oil Capacity



● brass head



○ aluminum connecting-rods



E version + F33

MOD	MAX	MAX		NET	BORE DIA	STROKE	CRANKSHAFT ID STAMP	LIST PRICE				
	l/min	gpm	bar	psi	ebhp	rpm	lbs	mm	mm		\$	
XMA 1750rpm E version 5/8" with Nema 56-C Flange												
XMA2G22E-F33	● ○	8	2.11	150	2200	3.0	1750	15	15	9.4	7	\$731.82
XMA25G18E-F33	● ○	9.5	2.5	120	1800	3.0	1750	15	15	10.6	5	\$731.82
XMA3G18E-F33	● ○	11.4	3	120	1800	4.0	1750	15	15	13.2	3	\$731.82
XMA4G20E-F33	● ○	15.1	4	138	2000	4.0	1750	15	15	13.2	3	\$755.43

SPECIAL PARTS / KITS

MOD	DESCRIPTION	LIST PRICE
AR2776	Viton Water Seals ø 15	\$350.10
AR2817	Kit for up to 180° F ø 15 High Temp	\$399.87
AR64516	Oil (16 oz)	\$15.34

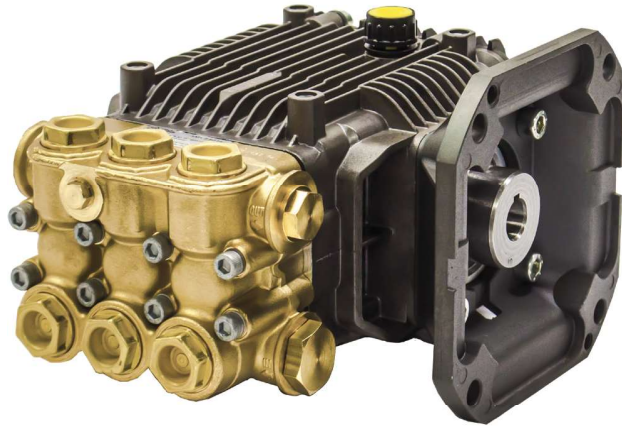
REPAIR KITS

MOD	DESCRIPTION	QTY	LIST PRICE
AR1864	Valves	6	\$59.29
AR2544	Pistons ø 15	3	\$179.97
AR2741	Water Seals ø 15	3	\$108.65
AR2787	Oil Seals	6	\$59.70
AR2740	Support Ring ø 15	3	\$13.54



XMV

HOLLOW SHAFT PUMP



Commercial

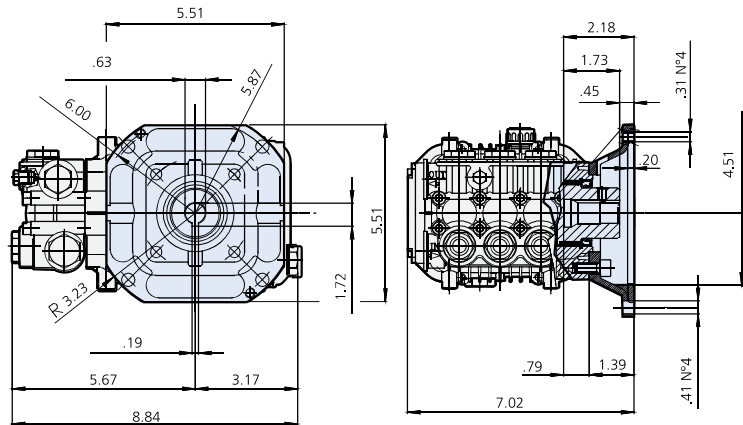
140° F - Max Water Temp
 1/2" F - Inlet Thread
 3/8" F - Discharge Thread
 14.5 oz - Oil Capacity



● brass head



○ aluminum connecting rods



E version + F33

MOD	MAX	MAX		NET	BORE DIA	STROKE	CRANKSHAFT ID STAMP	LIST PRICE		
	l/min	gpm	bar	psi	ebhp	rpm	lbs	mm	mm	\$

XMV 3400 rpm E version 5/8" with Nema 56-C Flange

XMV3G25E-F33 ● ○	11.4	3	172	2500	5.1	3400	15	15	6.5	11	\$731.82
------------------	------	---	-----	------	-----	------	----	----	-----	----	----------

SPECIAL PARTS / KITS

MOD	DESCRIPTION	LIST PRICE
AR2776	Viton Water Seals ø 15	\$360.60
AR2817	Kit for up to 180° F ø 15 High Temp	\$411.87
AR64516	Oil (16 oz)	\$15.80

REPAIR KITS

MOD	DESCRIPTION	QTY	LIST PRICE
AR1864	Valves	6	\$59.29
AR2544	Pistons ø 15	3	\$179.97
AR2741	Water Seals ø 15	3	\$108.65
AR2787	Oil Seals	6	\$59.70
AR2740	Support Ring ø 15	3	\$13.54

XMV-F25

HOLLOW SHAFT PUMP



Commercial

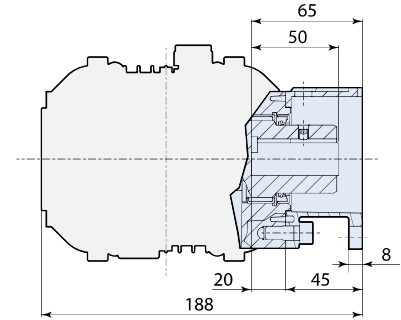
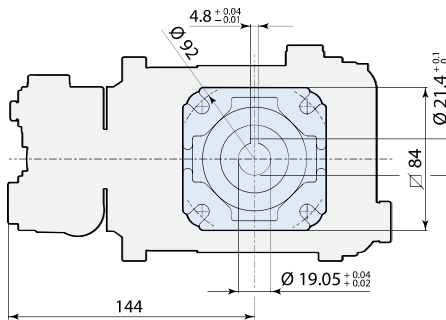
140° F - Max Water Temp
 1/2" F - Inlet Thread
 3/8" F - Discharge Thread
 14.5 oz - Oil Capacity



● brass head



○ aluminum connecting-rods



D version + F25

MOD	MAX	MAX		NET	BORE DIA	STROKE	CRANKSHAFT ID STAMP	LIST PRICE				
	l/min	gpm	bar	psi	ebhp	rpm	lbs	mm	mm		\$	
XMV 3400rpm D version 3/4" with Gas Engine Flange												
XMV25G26D-F25	● ○	9.5	2.5	179	2600	4.7	3400	15	15	6.2	10	\$720.01
XMV3G27D-F25	● ○	11.4	3	186	2700	5.6	3400	15	15	7.6	9	\$720.01
XMV35G25D-F25	● ○	13.2	3.5	170	2500	6.0	3400	15	15	8.2	8	\$720.01

SPECIAL PARTS / KITS

MOD	DESCRIPTION	LIST PRICE
AR2776	Viton Water Seals \varnothing 15	\$360.60
AR2817	Kit for up to 180° F \varnothing 15 High Temp	\$411.87
AR64516	Oil (16 oz)	\$15.80

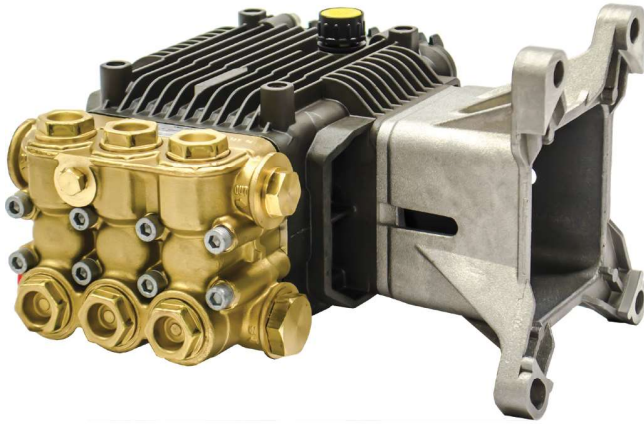
REPAIR KITS

MOD	DESCRIPTION	QTY	LIST PRICE
AR1864	Valves	6	\$59.29
AR2544	Pistons \varnothing 15	3	\$179.97
AR2741	Water Seals \varnothing 15	3	\$108.65
AR2787	Oil Seals	6	\$59.70
AR2740	Support Ring \varnothing 15	3	\$13.54



XMV-F24

HOLLOW SHAFT PUMP



Commercial

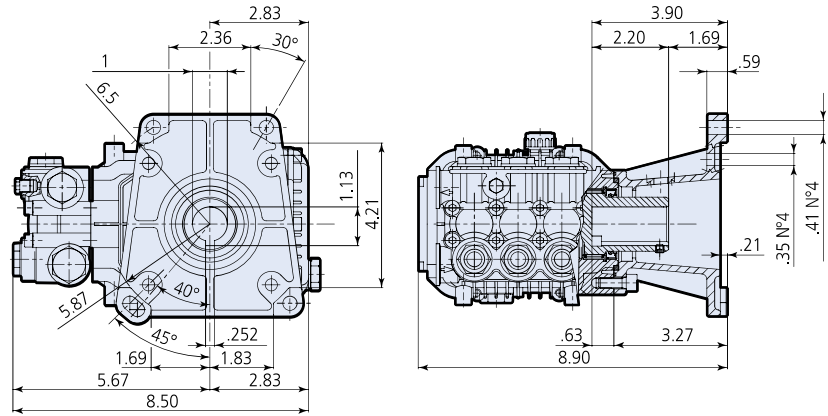
140° F - Max Water Temp
 1/2" F - Inlet Thread
 3/8" F - Discharge Thread
 14.5 oz - Oil Capacity



● brass head



○ aluminum connecting rods



D version + F24

MOD	MAX	MAX		NET	BORE DIA	STROKE	CRANKSHAFT ID STAMP	LIST PRICE
	l/min	gpm	bar	psi	ebhp	rpm	lbs	mm

XMV 3400rpm D version 1" with Nema Gas Engine Flange

XMV3G30D-F24 ● ○ 11.4 3 206 3000 6.2 3400 16 15 7.6 9 \$755.43

SPECIAL PARTS / KITS

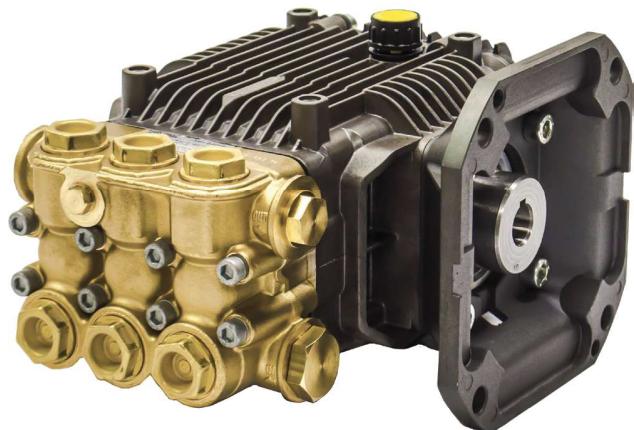
MOD	DESCRIPTION	LIST PRICE
AR2776	Viton Water Seals ø 15	\$360.60
AR2817	Kit for up to 180° F ø 15 High Temp	\$411.87
AR64516	Oil (16 oz)	\$15.80

REPAIR KITS

MOD	DESCRIPTION	QTY	LIST PRICE
AR1864	Valves	6	\$59.29
AR2544	Pistons ø 15	3	\$179.97
AR2741	Water Seals ø 15	3	\$108.65
AR2787	Oil Seals	6	\$59.70
AR2740	Support Ring ø 15	3	\$13.54

XMV-F33

HOLLOW SHAFT PUMP



Commercial

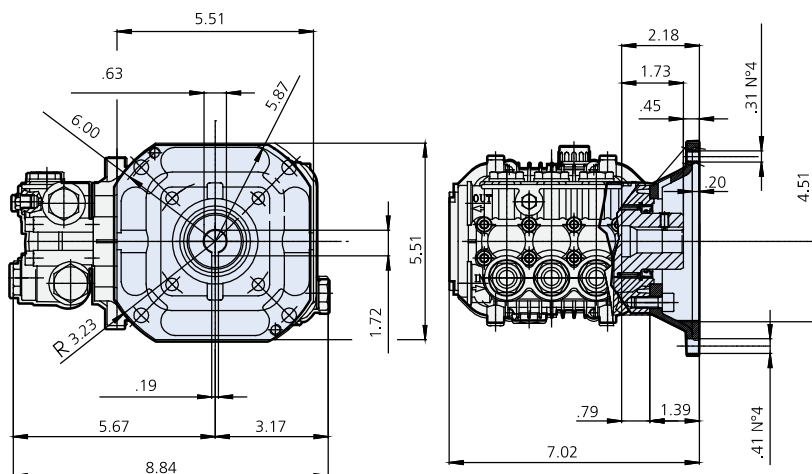
140° F - Max Water Temp
 1/2" F - Inlet Thread
 3/8" F - Discharge Thread
 14.5 oz - Oil Capacity



● brass head



○ aluminum connecting-
rods



D version + F33

MOD	MAX	MAX		NET	BORE DIA	STROKE	CRANKSHAFT ID STAMP	LIST PRICE
	l/min	gpm	bar	psi	ebhp	rpm	lbs	mm

XMV 3400rpm D version 3/4" with Nema 56-C Flange

XMV35G25D-F33 ● ○ 13.2 3.5 170 2500 6.0 3400 15 15 8.2 11 \$731.82

SPECIAL PARTS / KITS

MOD	DESCRIPTION	LIST PRICE
AR2776	Viton Water Seals ø 15	\$360.60
AR2817	Kit for up to 180° F ø 15 High Temp	\$411.87
AR64516	Oil (16 oz)	\$15.80

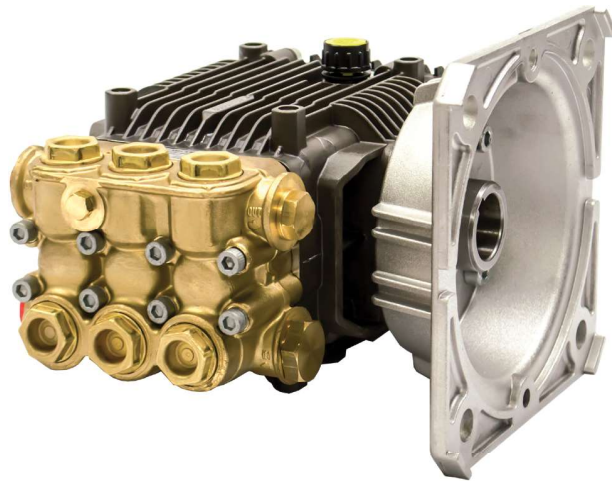
REPAIR KITS

MOD	DESCRIPTION	QTY	LIST PRICE
AR1864	Valves	6	\$59.29
AR2544	Pistons ø 15	3	\$179.97
AR2741	Water Seals ø 15	3	\$108.65
AR2787	Oil Seals	6	\$59.70
AR2740	Support Ring ø 15	3	\$13.54



SXMV-F24

HOLLOW SHAFT PUMP



Commercial

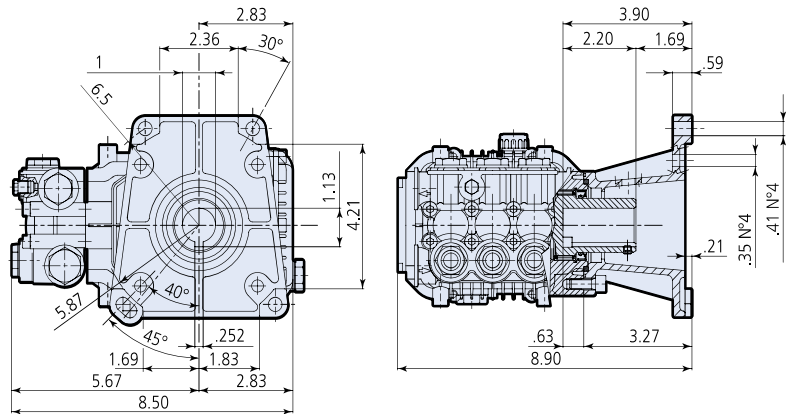
140° F - Max Water Temp
 1/2" F - Inlet Thread
 3/8" F - Discharge Thread
 14.5 oz - Oil Capacity



● brass head



○ aluminum connecting rods



D version + F24

MOD	MAX	MAX			BORE DIA	STROKE	CRANKSHAFT ID STAMP	LIST PRICE			
	l/min	gpm	bar	psi	ebhp	rpm	lbs	mm	mm		\$
SXMV 3400 rpm D version 1" with Gas Engine Flange											
SXMV3G40D-F24	● ○ 11.4	3	275	4000	8.2	3400	16	15	7.6	9	\$814.44
SXMV35G40D-F24	● ○ 13.2	3.5	275	4000	9.6	3400	16	15	8.2	8	\$814.44
SXMV4G40D-F24	● ○ 15.1	4	275	4000	11.0	3400	16	15	9.4	7	\$814.44

SPECIAL PARTS / KITS

MOD	DESCRIPTION	LIST PRICE
AR2776	Viton Water Seals ø 15	\$360.60
AR2777	Viton Water Seals ø 18	\$360.60
AR2817	Kit for up to 180° F ø 15 High Temp	\$411.87
AR2818	Kit for up to 180° F ø 18 High Temp	\$414.42
AR42212	Kit for up to 180° F ø 15 High Temp (Teflon)	\$636.50
AR64516	Oil (16 oz)	\$15.80

REPAIR KITS

MOD	DESCRIPTION	QTY	LIST PRICE
AR1864	Valves	6	\$59.29
AR2544	Pistons ø 15	3	\$179.97
AR2545	Pistons ø 18	3	\$200.69
AR2741	Water Seals ø 15	3	\$108.65
AR2747	Water Seals ø 18	3	\$119.51
AR2787	Oil Seals	6	\$59.70
AR2740	Support Ring ø 15	3	\$13.54
AR2745	Support Ring ø 18	3	\$6.75



RRA

SOLID SHAFT PUMP



Commercial

140° F - Max Water Temp
 1/2" F - Inlet Thread
 3/8" F - Discharge Thread
 13.35 oz - Oil Capacity



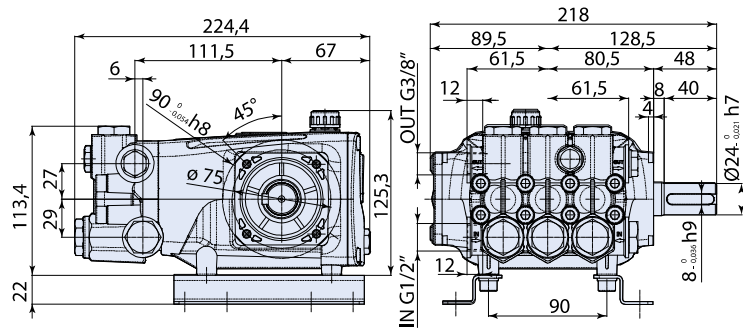
● brass head



○ bronze connecting rods



○ aluminum connecting rods



N version

MOD	MAX	MAX		NET	BORE DIA	STROKE	CRANKSHAFT ID STAMP	LIST PRICE				
	l/min	gpm	bar	psi	ebhp	rpm	lbs	mm	mm		\$	
RRA 1750rpm N version 24mm Solid Shaft												
RRA35G30N	● ○	13.2	3.5	206	3000	7.2	1750	17	18	10.6	4	\$766.05
RRA4G30N	● ○	15.1	4	206	3000	8.2	1750	17	18	12.2	3	\$766.05
RRA4G40N	● ○	15.1	4	275	4000	10.9	1750	17	18	12.2	3	\$830.97
RRA55G30N	● ○	20.8	5.5	206	3000	11.3	1750	17	18	16.6	1	\$766.05

SPECIAL PARTS / KITS

MOD	DESCRIPTION	LIST PRICE
AR2633	Rail Kit 1-3/4" (2 rails & 4 bolts)	\$35.18
AR2633H	Rail Kit 2-5/8" (2 rails & 4 bolts)	\$46.40
AR64516	Oil (16 oz)	\$15.80

REPAIR KITS

MOD	DESCRIPTION	QTY	LIST PRICE
AR2864	Valves	6	\$72.86
AR2746	Pistons	3	\$200.69
AR42549	Water Seals	3	\$84.92
AR42547	Oil Seals	4	\$33.31
AR42550	O-Rings	17	\$16.42
AR2745	Support Rings	3	\$6.75
AR47109	Piston Guide	3	\$48.45

RRA-F17

HOLLOW SHAFT PUMP



Commercial

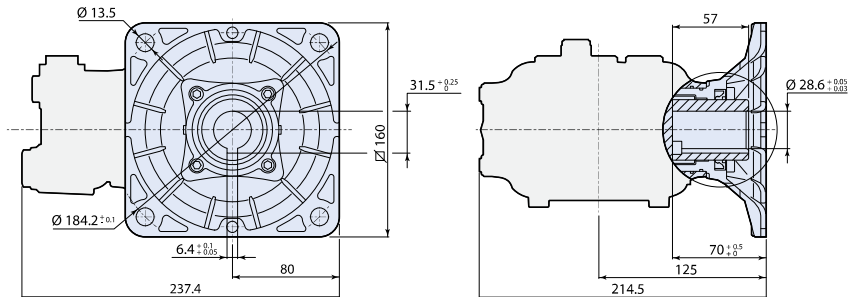
140° F - Max Water Temp
 1/2" F - Inlet Thread
 3/8" F - Discharge Thread
 13.35 oz - Oil Capacity



● brass head



○ aluminum connecting rods



E version

MOD	MAX		MAX		MAX		lb NET	BORE DIA	STROKE	CRANKSHAFT ID STAMP	LIST PRICE
	l/min	gpm	bar	psi	ebhp	rpm	lbs	mm	mm		\$
RRA 1750rpm E version 1-1/8" with Nema 182-184 Flange											
RRA3G30E-F17	11.4	3	206	3000	6.2	1750	18	18	9.2	5	\$830.97
RRA35G30E-F17	13.2	3.5	206	3000	6.2	1750	18	18	10.6	4	\$830.97
RRA4G30E-F17	15.1	4	206	3000	8.2	1750	18	18	12.2	3	\$830.97
RRA55G26E-F17	20.8	5.5	206	2600	11.3	1750	18	18	16.6	1	\$830.97

SPECIAL PARTS / KITS

MOD	DESCRIPTION	LIST PRICE
AR64516	Oil (16 oz)	\$15.80

REPAIR KITS

MOD	DESCRIPTION	QTY	LIST PRICE
AR2864	Valves	6	\$72.86
AR2746	Pistons	3	\$200.69
AR42549	Water Seals	3	\$84.92
AR42555	Oil Seals	4	\$27.38
AR42550	O-Rings	17	\$16.42
AR2745	Support Rings	3	\$6.75
AR43192	18mm Hot Water Seal Kit	3	\$557.17



RRV-F24

HOLLOW SHAFT PUMP



Commercial

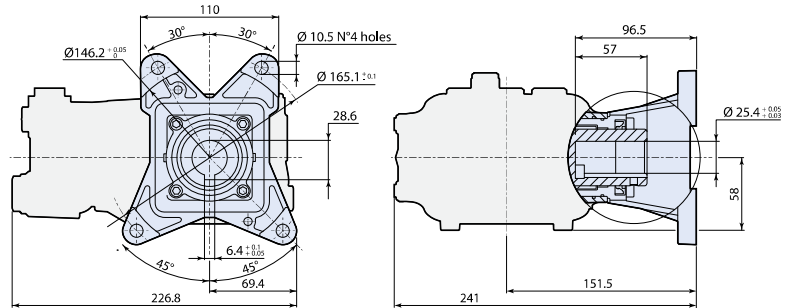
140° F - Max Water Temp
 1/2" F - Inlet Thread
 3/8" F - Discharge Thread
 13.35 oz - Oil Capacity



● brass head



○ aluminum connecting rods



D version + F24

MOD	MAX	MAX	MAX	MAX				BORE DIA	STROKE	CRANKSHAFT ID STAMP	LIST PRICE	
	l/min	gpm	bar	psi	ebhp	rpm	lbs	mm	mm		\$	
RRV 3400rpm D version 1" with Gas Flange												
RRV3G36D-F24	● ○	11.4	3	248	3600	7.4	3400	18	15	7.4	7	\$667.10
RRV35G36D-F24	● ○	13.2	3.5	248	3600	8.6	3400	18	15	8.2	6	\$667.10
RRV4G40HD-F24	● ○	15.1	4	275	4000	11.0	3400	18	15	9.2	5	\$727.11
RRV35G40HD-F24	● ○	13.2	3.5	275	4000	9.6	3400	18	15	8.2	6	\$727.11

All pumps available in pre-plumbed packages

SPECIAL PARTS / KITS

MOD	DESCRIPTION	LIST PRICE
AR64516	Oil (16 oz)	\$15.80

REPAIR KITS

MOD	DESCRIPTION	QTY	LIST PRICE
AR1828	Valves	6	\$69.79
AR2544	Pistons	3	\$179.97
AR42556	Water Seals	3	\$84.92
AR42555	Oil Seals	4	\$27.38
AR42550	O-Rings	17	\$16.42
AR2191	Support Rings	3	\$7.21



RKA

SOLID SHAFT PUMP



Commercial

140° F - Max Water Temp
 1/2" F - Inlet Thread
 3/8" F - Discharge Thread
 15 oz - Oil Capacity



● brass head



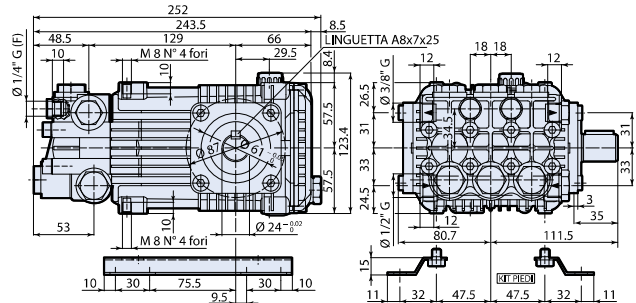
● nickel plated brass head



○ bronze connecting-rods



○ aluminum connecting-rods



N version

MOD	MAX	MAX	MAX		NET	BORE DIA	STROKE	CRANKSHAFT ID STAMP	LIST PRICE	
	l/min	gpm	bar	psi	ebhp	rpm	lbs	mm	mm	\$

RKA 1750rpm N version 24mm Solid Shaft												
RKA35G40HN	● ○	13.2	3.5	275	4000	9.6	1750	20	18	10.8	5	\$967.89
RKA4G30AN	● ○	15.1	4	206	3000	8.2	1750	19	18	12	4	989.05
RKA4G30N	● ○	15.1	4	206	3000	8.2	1750	19	18	12	4	932.48
RKA4G40HN	○ ○	15.1	4	275	4000	11.0	1750	20	18	12	4	\$967.89
RKA4G40HN-SX	● ○	15.1	4	275	4000	11.0	1750	20	18	12	4	\$967.89
RKA4G40HNL	○ ○	15.1	4	275	4000	11.0	1750	20	18	12	4	\$979.69
RKA45G40HN	● ○	17	4.5	275	4000	12.5	1750	20	18	13.8	2	\$967.89

L = 45mm Shaft Length (standard length - 30mm)
 SX - 180° Rotated Shaft Configuration

SPECIAL PARTS / KITS

MOD	DESCRIPTION	LIST PRICE
AR2729	Rail Kit 5/8" (2 rails & 4 bolts)	\$32.02
AR2633	Rail Kit 1-3/4" (2 rails & 4 bolts)	\$35.18
AR2633H	Rail Kit 2-5/8" (2 rails & 4 bolts)	\$46.40
U-Bracket/Kit	Rail Kit 1-1/2" (2 rails & 4 bolts)	\$76.14
AR2809	Viton Water Seals ø 18	\$292.85
AR42213	Kit for up to 180° F ø 18 High Temp	\$636.29
AR64516	Oil (16 oz)	\$15.80

REPAIR KITS

MOD	DESCRIPTION	QTY	LIST PRICE
AR2864	Valves	6	\$72.86
AR2546	Pistons ø 18	3	\$227.40
AR1857	Water Seals ø 18	3	\$136.00
AR1855	Oil Seals	7	\$77.34
AR1829	Support Rings ø 18	3	\$18.41



Commercial

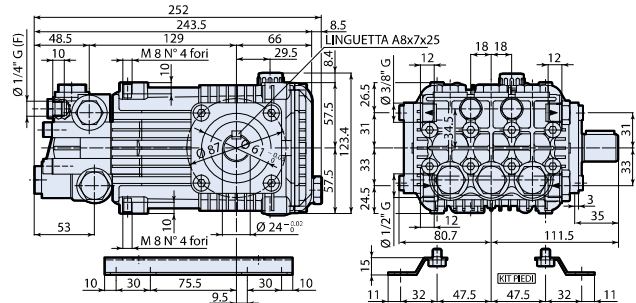
140° F - Max Water Temp
 1/2" F - Inlet Thread
 3/8" F - Discharge Thread
 15 oz - Oil Capacity



● nickel plated brass head



○ bronze connecting rods



N version

MOD	MAX	MAX						BORE DIA	STROKE	CRANKSHAFT ID STAMP	LIST PRICE	
	l/min	gpm	bar	psi	ebhp	rpm	lbs	mm	mm		\$	
RKA 1750rpm N version 24mm Solid Shaft												
RKA55G30HN	● ○	20.8	5.5	206	3000	11.3	1750	20	20	13.8	2	\$1,015.10
RKA65G20HN	○ ○	25	6.6	138	2000	9.0	1750	20	22	13.8	2	\$1,015.10
RKA7G20HN	● ○	27	7.1	138	2000	10.0	1750	20	22	14.6	1	\$1,015.10

SPECIAL PARTS / KITS

MOD	DESCRIPTION	LIST PRICE
AR2729	Rail Kit 5/8" (2 rails & 4 bolts)	\$32.02
AR2633	Rail Kit 1-3/4" (2 rails & 4 bolts)	\$35.18
AR2633H	Rail Kit 2-5/8" (2 rails & 4 bolts)	\$46.40
U-Bracket/Kit	Rail Kit 1-1/2" (2 rails & 4 bolts)	\$76.14
AR2810	Viton Water Seals ø 20	\$292.85
AR2811	Viton Water Seals ø 22	\$548.00
AR2820	Kit for up to 180° F ø 20 High Temp	\$535.59
AR64516	Oil (16 oz)	\$15.80

REPAIR KITS

MOD	DESCRIPTION	QTY	LIST PRICE
AR2864	Valves	6	\$72.86
AR2547	Pistons ø 20	3	\$240.71
AR2759	Pistons ø 22	3	\$373.64
AR1887	Water Seals ø 20	3	\$173.60
AR1888	Water Seals ø 22	3	\$173.60
AR1855	Oil Seals	7	\$77.34
AR1815	Support Rings ø 20	3	\$10.73
AR1816	Support Rings ø 22	3	\$12.00



RKA-F17

HOLLOW SHAFT PUMP



Commercial

140° F - Max Water Temp
 1/2" F - Inlet Thread
 3/8" F - Discharge Thread
 15 oz - Oil Capacity



● brass head



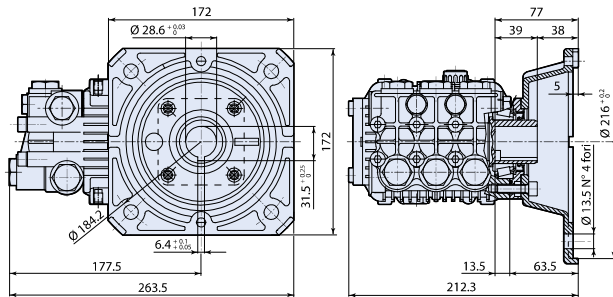
● nickel plated brass head



○ bronze connecting rods



○ aluminum connecting rods



E version + F17

MOD	MAX	MAX	MAX	MAX	MAX	MAX	NET	BORE DIA	STROKE	CRANKSHAFT ID STAMP	LIST PRICE	
	l/min	gpm	bar	psi	ebhp	rpm	lbs	mm	mm		\$	
RKA 1750rpm E version 1-1/8" with Nema 182-184 Flange												
RKA35G30E-F17	● ○	13.2	3.5	206	3000	6.8	1750	21	18	10.8	5	\$932.48
RKA35G40HE-F17	○ ●	13.2	3.5	275	4000	9.6	1750	21	18	10.8	5	\$1,026.90
RKA4G30E-F17	● ○	15.1	4	206	3000	8.2	1750	21	18	12	4	\$932.48
RKA4G30HE-F17	○ ●	15.1	4	206	3000	8.2	1750	21	18	12	4	\$1,026.90
RKA4.8G30E-F17	● ○	18.2	4.8	206	3000	10.0	1750	21	20	12	4	\$991.49
RKA55G13E-F17	● ○	20.8	5.5	138	2000	7.5	1750	21	20	13.8	2	\$991.49
RKA7G20HE-F17	● ○	27	7.1	138	2000	10.0	1750	21	22	14.6	1	\$1,085.92

SPECIAL PARTS / KITS

MOD	DESCRIPTION	LIST PRICE
AR2809	Viton Water Seals $\varnothing 18$	\$292.85
AR2810	Viton Water Seals $\varnothing 20$	\$292.85
AR2811	Viton Water Seals $\varnothing 22$	\$548.00
AR42213	Kit for up to 180° F $\varnothing 18$ High Temp	\$636.29
AR2820	Kit for up to 180° F $\varnothing 20$ High Temp	\$535.59
AR42149	Single Cylinder Pistons Kit	\$55.64
AR64516	Oil (16 oz)	\$15.80

REPAIR KITS

MOD	DESCRIPTION	QTY	LIST PRICE
AR2864	Valves	6	\$72.86
AR2546	Pistons $\varnothing 18$	3	\$227.40
AR2547	Pistons $\varnothing 20$	3	\$240.71
AR2759	Pistons $\varnothing 22$	3	\$373.64
AR1857	Water Seals $\varnothing 18$	3	\$136.00
AR1887	Water Seals $\varnothing 20$	3	\$173.60
AR1888	Water Seals $\varnothing 22$	3	\$173.60
AR1856	Oil Seals	7	\$62.76
AR1829	Support Rings $\varnothing 18$	3	\$18.41
AR1815	Support Rings $\varnothing 20$	3	\$10.73
AR1816	Support Rings $\varnothing 22$	3	\$12.00

RKV-F24

HOLLOW SHAFT PUMP



Commercial

140° F - Max Water Temp
 1/2" F - Inlet Thread
 3/8" F - Discharge Thread
 15 oz - Oil Capacity



● brass head



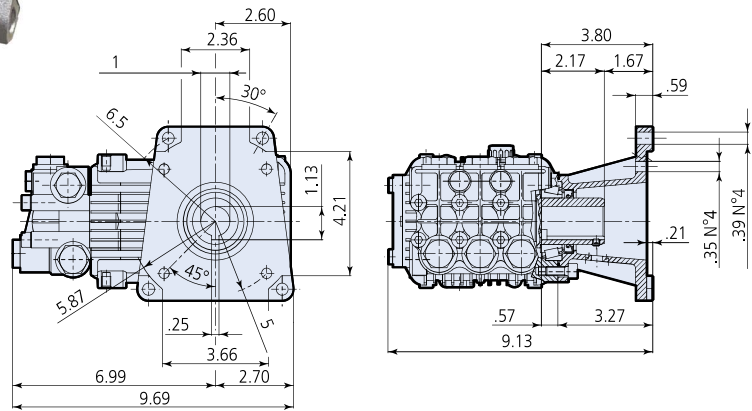
● nickel plated brass head



○ bronze connecting rods



○ aluminum connecting rods



D version + F24

MOD	MAX	MAX							BORE DIA	STROKE	CRANKSHAFT ID STAMP	LIST PRICE
	l/min	gpm	bar	psi	ebhp	rpm	lbs	mm	mm			\$
RKV 3400rpm D version 1" with Gas Engine Flange												
RKV35G30AD-F24	● ○	13.2	3.5	206	3000	7.5	3400	21	18	6.2	9	\$939.56
RKV35G40HD-F24	○ ○	13.2	3.5	275	4000	10.0	3400	21	18	6.2	9	\$939.56
RKV4G37D-F24	● ○	15.1	4	255	3700	7.5	3400	21	18	7	8	\$944.28
RKV4G40HD-F24	○ ○	15.1	4	275	4000	11.0	3400	21	18	7	8	\$1,038.70
RKV45G32D-F24	● ○	17	4.5	220	3200	10.0	3400	21	18	8	7	\$944.28
RKV45G40HD-F24	○ ○	17	4.5	275	4000	12.4	3400	21	18	8	7	\$1,038.70
RKV5G40HD-F 24	● ○	18.3	5	275	4000	13.7	3400	21	18	8.6	11	\$1,038.70
RKV55G40HD-F24	○ ○	20.8	5.5	275	4000	15.0	3400	21	18	9.8	6	\$1,038.70

SPECIAL PARTS / KITS

MOD	DESCRIPTION	LIST PRICE
AR2809	Viton Water Seals ø 18	\$292.85
AR42213	Kit for up to 180° F ø 18 High Temp	\$636.29
AR42149	Single Cylinder Pistons Kit	\$55.64
AR64516	Oil (16 oz)	\$15.80

REPAIR KITS

MOD	DESCRIPTION	QTY	LIST PRICE
AR1828	Valves	6	\$69.79
AR2546	Pistons ø 18	3	\$227.40
AR1857	Water Seals ø 18	3	\$136.00
AR1856	Oil Seals	7	\$62.76
AR1829	Support Rings ø 18	3	\$18.41



RG

SOLID SHAFT PUMP



Commercial

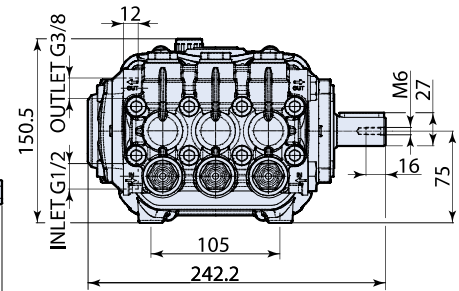
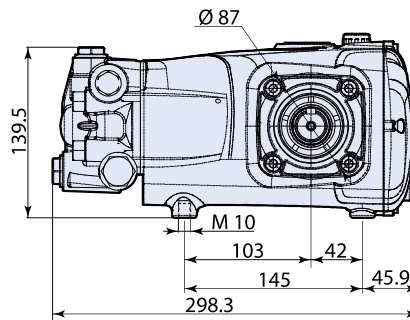
140° F - Max Water Temp
 1/2" F - Inlet Thread
 3/8" F - Discharge Thread
 32 oz - Oil Capacity



● nickel plated brass head



○ aluminum connecting rods



N version

MOD	MAX	MAX		NET	BORE DIA	STROKE	CRANKSHAFT ID STAMP	LIST PRICE			
	l/min	gpm	bar	psi	ebhp	rpm	lbs	mm	mm		\$

RG 1450rpm N version 24 x 40mm Solid Shaft

RG1528HN	● ○	15	4	280	4000	11.0	1450	27.5	18	14.6	3	\$998.36
RG2125HN	○ ○	21	5.5	250	3600	13.6	1450	27.5	18	19.8	1	\$998.36
RG2125HN-SX	● ○	21	5.5	250	3600	13.6	1450	27.5	18	19.8	1	\$998.36

SX - 180° Rotated Shaft Configuration

SPECIAL PARTS / KITS

MOD	DESCRIPTION	LIST PRICE
AR2748	Rail Kit 1-1/4" (2 rails & 4 bolts)	\$26.67
AR2748H	Rail Kit 2-1/2" (2 rails & 4 bolts)	\$74.62
AR64516	Oil (16 oz)	\$15.80
AR43619	Piston Ø 20	\$90.08
AR43620	Water Seal Ø 20	\$90.87
AR43621	Piston Guide Ø 20	\$77.92

REPAIR KITS

MOD	DESCRIPTION	QTY	LIST PRICE
AR2864	Valves	6	\$72.86
AR2548	Pistons Ø 18	3	\$261.53
AR46848	Water Seals Ø 18	3	\$38.28
AR47083	Oil Seals	4	\$36.03
AR42172	Piston Guides Ø 18	3	229.20
AR2780	Valves Ø 22	6	156.20
AR2543	Piston Ø 22	3	\$302.18
AR2783	Water Seal Ø 22	3	\$165.54
AR2785	Piston Guide Ø 22	3	\$142.78



Commercial

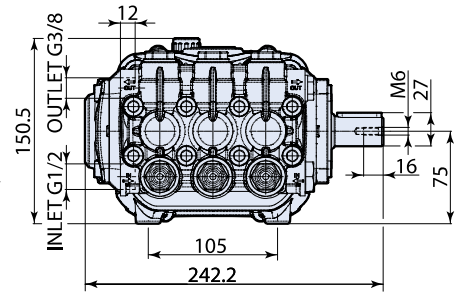
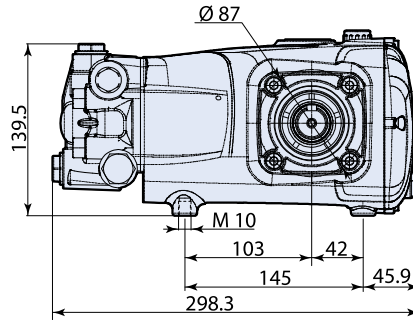
140° F - Max Water Temp
 1/2" F - Inlet Thread
 3/8" F - Discharge Thread
 32 oz - Oil Capacity



● nickel plated brass head



○ aluminum connecting rods



N version

MOD	MAX	MAX		NET	BORE DIA	STROKE	CRANKSHAFT ID STAMP	LIST PRICE
	l/min gpm	bar psi	ebhp rpm	lbs	mm	mm		\$

RG A 1750rpm N version 24mm Solid Shaft

RG A4G40HN	● ○	15 4	280 4000	11 1750	27.5 18	12.2	4	\$998.36
------------	-----	------	----------	---------	---------	------	---	----------

SPECIAL PARTS / KITS

MOD	DESCRIPTION	LIST PRICE
AR2748	Rail Kit 1-1/4" (2 rails & 4 bolts)	\$26.67
AR2748H	Rail Kit 2-1/2" (2 rails & 4 bolts)	\$74.62
AR64516	Oil (16 oz)	\$15.80

REPAIR KITS

MOD	DESCRIPTION	QTY	LIST PRICE
AR2864	Valves	6	\$72.86
AR2872	Pistons Ø 18	3	\$261.53
AR46848	Water Seals	3	\$38.28
AR47083	Oil Seals	4	\$36.03
AR42172	Piston Guides	3	\$229.20



SRG

SOLID SHAFT PUMP



Commercial

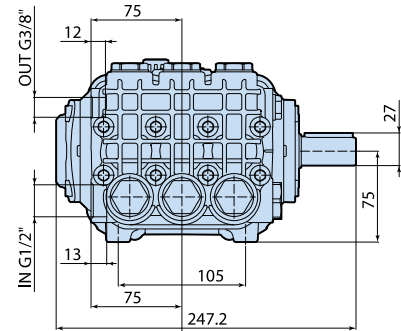
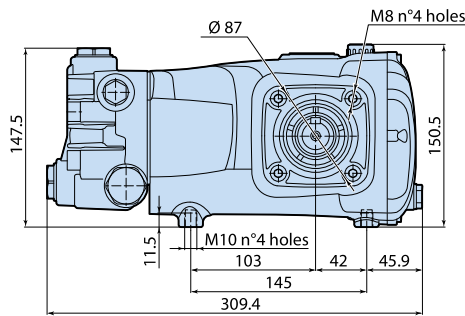
140° F - Max Water Temp
 1/2" F - Inlet Thread
 3/8" F - Discharge Thread
 32 oz - Oil Capacity



● brass head



○ aluminum connecting-rods



N version

MOD	MAX	MAX		NET	BORE DIA	STROKE	CRANKSHAFT ID STAMP	LIST PRICE			
	l/min	gpm	bar	psi	ebhp	rpm	lbs	mm	mm		\$

SRG 1450rpm N version 24mm Solid Shaft												
SRG1535N	● ○	15	4.0	350	5100	14.0	1450	35.2	18	15.0	8	\$1,596.50
SRG2135N	● ○	21	5.5	350	5100	19.2	1450	35.2	18	21.0	7	\$1,391.52
SRG3035N	● ○	30	7.9	350	5100	27.6	1450	35.2	20	23.0	15	\$1,982.99

SX - 180° Rotated Shaft Configuration

SPECIAL PARTS / KITS

MOD	DESCRIPTION	LIST PRICE
AR2748	Rail Kit 1-1/4" (2 rails & 4 bolts)	\$25.90
AR2748H	Rail Kit 2-1/2" (2 rails & 4 bolts)	\$72.45
AR64516	Oil (16 oz)	\$15.34

REPAIR KITS

MOD	DESCRIPTION	QTY	LIST PRICE
AR2871	Valves	6	\$194.31
AR46939	Pistons Ø 20	3	\$97.73
AR46941	Water Seals Ø 20	3	\$236.45
AR46940	Oil Seals	4	\$25.56
AR46942	Piston Guides Ø 20	3	\$96.72
AR2548	Pistons Ø 18	3	\$261.53
AR47083	Oil Seals Ø 18	7	\$36.03
AR2874	Water Seals Ø 18	9	\$200.96
AR42120	Piston Guides Ø 18	6	\$160.68



Commercial

140° F - Max Water Temp
 3/4" F - Inlet Thread
 3/8" F - Discharge Thread
 32 oz - Oil Capacity



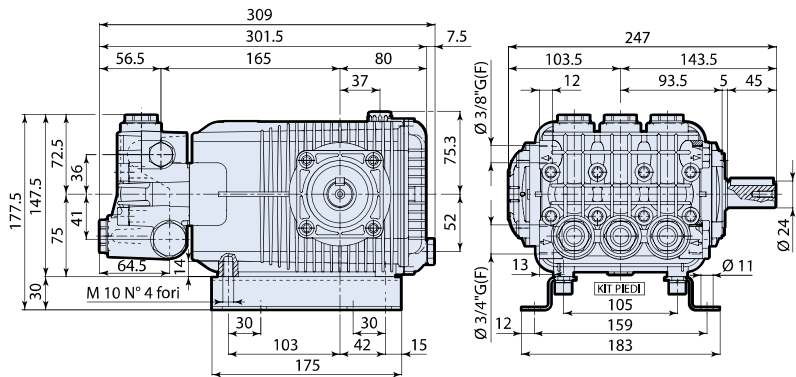
● brass head



○ bronze connecting-rods



○ aluminum connecting-rods



N version

MOD	MAX	MAX		NET	BORE DIA	STROKE	CRANKSHAFT ID STAMP	LIST PRICE
	l/min	gpm	bar	psi	ebhp	rpm	lbs	mm

XW 1450rpm N version 24mm Solid Shaft

XWM1530N	● ○	15	4	300	4350	12.0	1450	34	20	12.2	5	\$1,428.22
XWM2128N	● ○	21	5.55	280	4060	15.5	1450	34	20	16.6	3	\$1,428.22
XWM2623N	● ○	26	6.87	250	3600	17.0	1450	34	20	19.8	1	\$1,546.26
XW3025N	● ○	30	7.92	250	3600	20.0	1450	34	22	19.8	1	\$1,581.44
XW3028N	● ○	30	7.92	280	4000	21.8	1450	34	22	19.8	1	\$1,987.23

SPECIAL PARTS / KITS

MOD	DESCRIPTION	LIST PRICE
AR2748	Rail Kit 1-1/4" (2 rails & 4 bolts)	\$26.67
AR2748H	Rail Kit 2-1/2" (2 rails & 4 bolts)	\$74.62
U-Bracket/Kit	Rail Kit 1-1/2" (2 rails & 4 bolts)	\$76.14
AR2778	Viton Water Seals \varnothing 20 (used only w/ AR2784 Piston Guides)	\$250.94
AR2779	Viton Water Seals \varnothing 22 (used only w/ AR2785 Piston Guides)	\$241.48
AR980069	Packing Extractor	\$181.98
AR64516	Oil (16 oz)	\$15.80

REPAIR KITS

MOD	DESCRIPTION	QTY	LIST PRICE
AR2780	Valves	6	\$156.20
AR2288	Pistons \varnothing 20 (xwm)	3	\$303.08
AR2543	Pistons \varnothing 22 (xw)	3	\$302.18
AR2278	Water Seals \varnothing 20 (xw)	3	\$192.89
AR2782	Water Seals \varnothing 20 (xwm)	3	\$155.44
AR2783	Water Seals \varnothing 22 (xw)	3	\$165.54
AR2781	Oil Seals	6	\$73.50
AR2279	Piston Guides \varnothing 20 (xwm)	3	\$138.07
AR2784	Piston Guides \varnothing 20 (xw)	3	\$116.83
AR2785	Piston Guides \varnothing 22 (xw)	3	\$142.78



XWA

SOLID SHAFT PUMP



Commercial

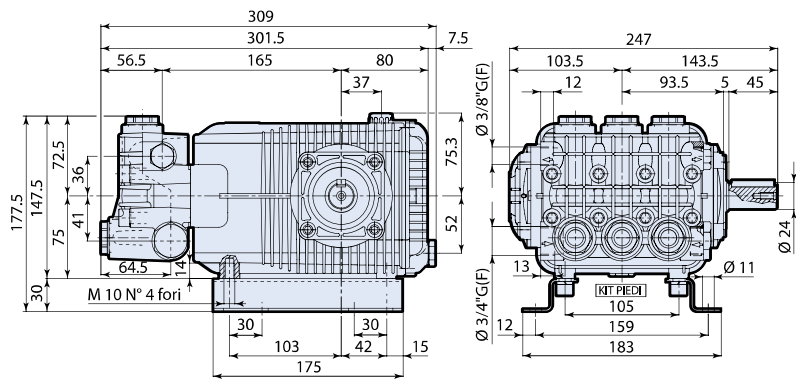
140° F - Max Water Temp
 3/4" F - Inlet Thread
 3/8" F - Discharge Thread
 32 oz - Oil Capacity



● brass head



○ aluminum connecting rods



N version

MOD	MAX	MAX		NET	BORE DIA	STROKE	CRANKSHAFT ID STAMP	LIST PRICE
	l/min	gpm	bar	psi	ebhp	rpm	lbs	mm

XWA 1750rpm N version 24mm Solid Shaft

XWAM4G40N	● ○	15	4	275	4000	11.0	1750	34	20	10.0	6	\$1,428.22
XWAM55G40N	● ○	21	5.5	275	4000	15.0	1750	34	20	13.8	4	\$1,428.22
XWAM7G40N	● ○	25.5	7	275	4000	19.2	1750	34	20	17.2	2	\$1,546.26
XWAM8G35N	● ○	30	8	240	3500	19.2	1750	34	20	19.8	1	\$1,546.26
XWA9G30N	● ○	34	9	200	3000	18.5	1750	34	22	19.8	1	\$1,628.88

SPECIAL PARTS / KITS

MOD	DESCRIPTION	LIST PRICE
AR2748	Rail Kit 1-1/4" (2 rails & 4 bolts)	\$26.67
AR2748H	Rail Kit 2-1/2" (2 rails & 4 bolts)	\$74.62
U-Bracket/Kit	Rail Kit 1-1/2" (2 rails & 4 bolts)	\$76.14
AR2778	Viton Water Seals Ø 20 (used only w/ AR2784 Piston Guides)	\$250.94
AR2779	Viton Water Seals Ø 22 (used only w/ AR2785 Piston Guides)	\$241.48
AR980069	Packing Extractor	\$181.98
AR64516	Oil (16 oz)	\$15.80

REPAIR KITS

MOD	DESCRIPTION	QTY	LIST PRICE
AR2780	Valves	6	\$156.20
AR2288	Pistons Ø 20 (XWAM)	3	\$303.08
AR2543	Pistons Ø 22 (XWA)	3	\$302.18
AR2278	Water Seals Ø 20 (XWAM)	3	\$192.89
AR2782	Water Seals Ø 20 (XWA)	3	\$155.44
AR2783	Water Seals Ø 20 (XWA)	3	\$165.54
AR2781	Oil Seals	6	\$73.50
AR2279	Piston Guides Ø 20 (XWAM)	3	\$138.07
AR2784	Piston Guides Ø 20 (XW)	3	\$116.83
AR2785	Piston Guides Ø 22 (XWA)	3	\$142.78



Commercial

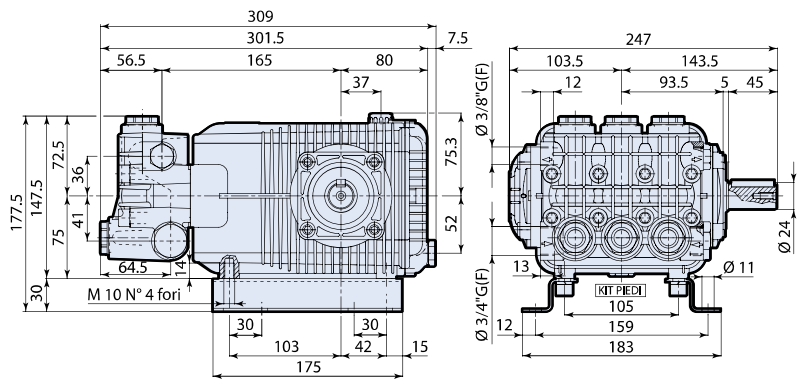
140° F - Max Water Temp
 3/4" F - Inlet Thread
 3/8" F - Discharge Thread
 32 oz - Oil Capacity



● brass head



○ aluminum connecting rods



N version

MOD	MAX	MAX		NET	BORE DIA	STROKE	CRANKSHAFT ID STAMP	LIST PRICE			
	l/min	gpm	bar	psi	ebhp	rpm	lbs	mm	mm		\$
XWT 550rpm N version 24mm Solid Shaft											
XWT2118N ● ○	21	5.55	200	3000	11.0	500	34	28	19.8	1	\$1,770.53

SPECIAL PARTS / KITS

MOD	DESCRIPTION	LIST PRICE
AR2748	Rail Kit 1-1/4" (2 rails & 4 bolts)	\$26.67
AR2748H	Rail Kit 2-1/2" (2 rails & 4 bolts)	\$74.62
U-Bracket/Kit	Rail Kit 1-1/2" (2 rails & 4 bolts)	\$76.14
AR64516	Oil (16 oz)	\$15.80

REPAIR KITS

MOD	DESCRIPTION	QTY	LIST PRICE
AR2780	Valves	6	\$156.20
AR1849	Pistons Ø 28	3	\$454.68
AR1853	Water Seals Ø 28	3	\$309.84
AR42708	Water Seals Ø 28 (new)	3	\$298.96
AR2781	Oil Seals	6	\$73.50
AR2507	Piston Guides Ø 28	3	\$154.27
AR42650	Piston Guides Ø 28 (new)	3	\$289.42



XWF

SOLID SHAFT PUMP



Commercial

140° F - Max Water Temp
 3/4" F - Inlet Thread
 3/8" F - Discharge Thread
 32 oz - Oil Capacity



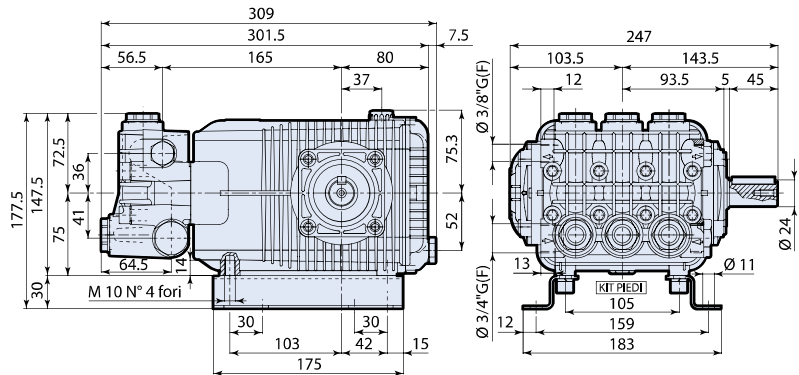
● brass head



○ bronze connecting-rods



○ aluminum connecting-rods



N version

MOD	MAX	MAX		NET	BORE DIA	STROKE	CRANKSHAFT ID STAMP	LIST PRICE	
	l/min	gpm	bar	psi	ebhp	rpm	lbs	mm	
XWF 1000rpm N version 24mm Solid Shaft									
XWF26.20N ● ○	26	6.87	200	3000	13.7	1000	34	28 15 8	\$1,770.53
XWF3020N ● ○	30	7.92	200	3000	15.8	1000	34	28 17.2 2	\$1,770.53
XWF3617N ● ○	36	9.51	170	2500	16.3	1000	34	28 19.8 1	\$1,770.53

SPECIAL PARTS / KITS

MOD	DESCRIPTION	LIST PRICE
AR2748	Rail Kit 1-1/4" (2 rails & 4 bolts)	\$26.67
AR2748H	Rail Kit 2-1/2" (2 rails & 4 bolts)	\$74.62
U-Bracket/Kit	Rail Kit 1-1/2" (2 rails & 4 bolts)	\$76.14
AR64516	Oil (16 oz)	\$15.80

REPAIR KITS

MOD	DESCRIPTION	QTY	LIST PRICE
AR2780	Valves	6	\$156.20
AR1849	Pistons Ø 28	3	\$454.68
AR1853	Water Seals Ø 28	3	\$309.84
AR42708	Water Seals Ø 28 (new)	3	\$298.96
AR2781	Oil Seals	6	\$73.50
AR2507	Piston Guides Ø 28	3	\$154.27
AR42650	Piston Guides Ø 28 (new)	3	\$289.42



Commercial

140° F - Max Water Temp
 3/4" F - Inlet Thread
 3/8" F - Discharge Thread
 32 oz - Oil Capacity



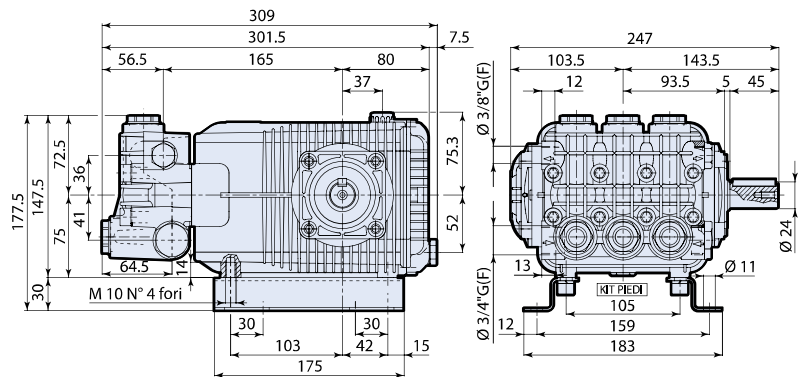
● brass head



○ bronze connecting-rods



○ aluminum connecting-rods



N version

MOD	MAX	MAX		NET	BORE DIA	STROKE	CRANKSHAFT ID STAMP	LIST PRICE				
	l/min	gpm	bar	psi	ebhp	rpm	lbs	mm	mm		\$	
XWL 1450rpm N version 24mm Solid Shaft												
XWL41.21N	● ○	41	10.8	200	3000	22.2	1450	34	28	16.6	3	\$1,935.78
XWL42.15N	● ○	42	11.09	150	2200	16.7	1450	34	28	17.2	2	\$1,770.53
XWL50.15N	● ○	50	13.2	150	2200	19.9	1450	34	28	19.4	10	\$1,935.78
XWL50.20NB	● ○	50	13.2	200	3000	25.5	1450	34	28	19.4	10	\$2,193.09

SPECIAL PARTS / KITS

MOD	DESCRIPTION	LIST PRICE
AR2748	Rail Kit 1-1/4" (2 rails & 4 bolts)	\$26.67
AR2748H	Rail Kit 2-1/2" (2 rails & 4 bolts)	\$74.62
U-Bracket/Kit	Rail Kit 1-1/2" (2 rails & 4 bolts)	\$76.14
AR2036	Viton Water Seals ø 28	\$312.41
AR64516	Oil (16 oz)	\$15.80

REPAIR KITS

MOD	DESCRIPTION	QTY	LIST PRICE
AR2780	Valves	6	\$156.20
AR1849	Pistons ø 28	3	\$454.68
AR1853	Water Seals ø 28	3	\$309.84
AR42708	Water Seals ø 28 (new)	3	\$298.96
AR2781	Oil Seals	6	\$73.50
AR2507	Piston Guides ø 28	3	\$154.27
AR42650	Piston Guides ø 28 (new)	3	\$289.42



XWLA

SOLID SHAFT PUMP



Commercial

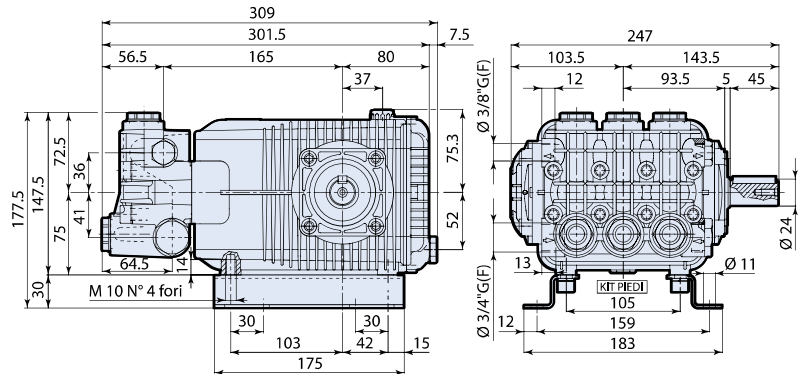
140° F - Max Water Temp
 3/4" F - Inlet Thread
 3/8" F - Discharge Thread
 32 oz - Oil Capacity



● brass head



○ aluminum connecting rods



N version

MOD	MAX l/min	MAX gpm	MAX bar	MAX psi	ebhp	rpm	NET lbs	BORE DIA mm	STROKE mm	CRANKSHAFT ID STAMP	LIST PRICE \$
XWLA 1750rpm N version 24mm Solid Shaft											
XWLA13G15N ● ○	49	13	100	1450	13.0	1750	34	28	17.2	2	\$1,770.53

SPECIAL PARTS / KITS

MOD	DESCRIPTION	LIST PRICE
AR2748	Rail Kit 1-1/4" (2 rails & 4 bolts)	\$26.67
AR2748H	Rail Kit 2-1/2" (2 rails & 4 bolts)	\$74.62
U-Bracket/Kit	Rail Kit 1-1/2" (2 rails & 4 bolts)	\$76.14
AR2036	Viton Water Seals ø 28	\$312.41
AR64516	Oil (16 oz)	\$15.80

REPAIR KITS

MOD	DESCRIPTION	QTY	LIST PRICE
AR2780	Valves	6	\$156.20
AR1849	Pistons ø 28	3	\$454.68
AR1853	Water Seals ø 28	3	\$309.84
AR42708	Water Seals ø 28 (new)	3	\$298.96
AR2781	Oil Seals	6	\$73.50
AR2507	Piston Guides ø 28	3	\$154.27
AR42650	Piston Guides ø 28 (new)	3	\$289.42



Commercial

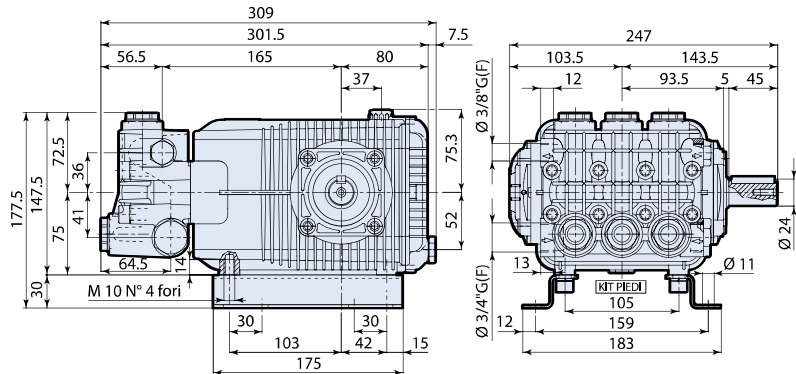
140° F - Max Water Temp
 1/2" F - Inlet Thread
 3/8" F - Discharge Thread
 32 oz - Oil Capacity



● brass head



○ aluminum connecting rods



N version

MOD	MAX	MAX		NET	BORE DIA	STROKE	CRANKSHAFT ID STAMP	LIST PRICE				
	l/min	gpm	bar	psi	ebhp	rpm	lbs	mm	mm		\$	
SXW 1450rpm N version 24mm Solid Shaft												
SXW15.35	● ○	15	3.96	350	5100	15.0	1450	35	18	15	8	\$1,923.97
SXW21.350	● ○	21	5.55	350	5100	20.0	1450	35	18	21	7	\$1,923.97

SPECIAL PARTS / KITS

MOD	DESCRIPTION	LIST PRICE
AR2748	Rail Kit 1-1/4" (2 rails & 4 bolts)	\$26.67
AR2748H	Rail Kit 2-1/2" (2 rails & 4 bolts)	\$74.62
U-Bracket/Kit	Rail Kit 1-1/2" (2 rails & 4 bolts)	\$76.14
AR394280	Valve O-Ring	\$0.84
AR1941040	Valve Fiber Ring	\$2.81
AR64516	Oil (16 oz)	\$15.80

REPAIR KITS

MOD	DESCRIPTION	QTY	LIST PRICE
AR2871	Valves	6	\$194.31
AR2548	Pistons	3	\$261.53
AR2874	Water Seals	3	\$200.96
AR42708	Oil Seals	6	\$298.96
AR42120	Piston Guides	3	\$160.68



SXWA

SOLID SHAFT PUMP



Commercial

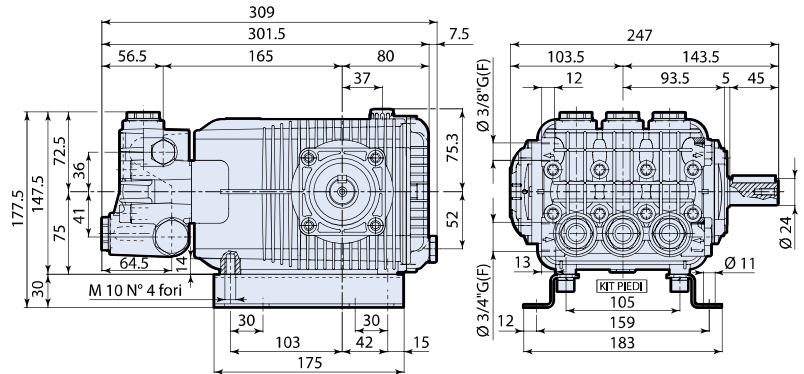
140° F - Max Water Temp
 1/2" F - Inlet Thread
 3/8" F - Discharge Thread
 32 oz - Oil Capacity



● brass head



○ aluminum connecting rods



N version

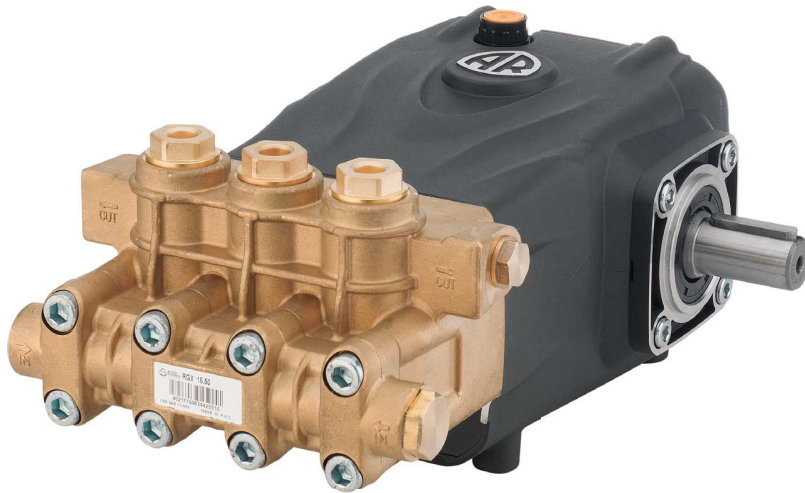
MOD	MAX	MAX		NET	BORE DIA	STROKE	CRANKSHAFT ID STAMP	LIST PRICE				
	l/min	gpm	bar	psi	ebhp	rpm	lbs	mm	mm		\$	
SXWA 1750rpm N version 24mm Solid Shaft												
SXWA4G50N	● ○	15.1	4	345	5000	13.7	1750	35	18	12.2	5	\$1,923.97
SXWA55G50N	● ○	20.8	5.5	345	5000	18.9	1750	35	18	17.2	2	\$1,923.97
SXWA7G50N	● ○	26.5	7	345	5000	24.0	1750	35	18	21	7	\$1,923.97

SPECIAL PARTS / KITS

MOD	DESCRIPTION	LIST PRICE
AR2748	Rail Kit 1-1/4" (2 rails & 4 bolts)	\$26.67
AR2748H	Rail Kit 2-1/2" (2 rails & 4 bolts)	\$74.62
U-Bracket/Kit	Rail Kit 1-1/2" (2 rails & 4 bolts)	\$76.14
AR394280	Valve O-Ring	\$0.84
AR1941040	Valve Fiber Ring	\$2.81
AR64516	Oil (16 oz)	\$15.80

REPAIR KITS

MOD	DESCRIPTION	QTY	LIST PRICE
AR2871	Valves	6	\$194.31
AR2548	Pistons	3	\$261.53
AR2874	Water Seals	3	\$200.96
AR42708	Oil Seals	6	\$298.96
AR42120	Piston Guides	3	\$160.68



Commercial

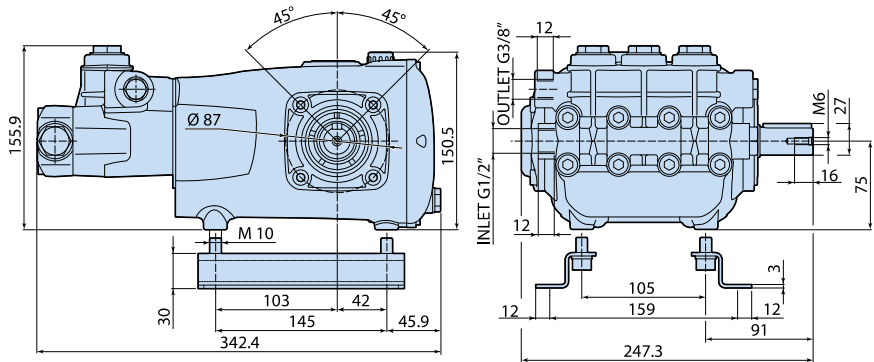
140° F - Max Water Temp
 1/2" F - Inlet Thread
 3/8" F - Discharge Thread
 31.8 oz - Oil Capacity



● brass head



○ aluminum connecting rods



N version

MOD	MAX	MAX		NET	BORE DIA	STROKE	CRANKSHAFT ID STAMP	LIST PRICE				
	l/min	gpm	bar	psi	ebhp	rpm	lbs	mm	mm		\$	
RGX 1450rpm N version 24mm Solid Shaft												
RGX1550N	● ○	15	4	500	7250	20.0	1450	35.5	18	15	8	\$1,888.56
RGX2250N	● ○	22	5.8	500	7250	29.0	1450	35.5	18	21	21	\$1,888.56

SPECIAL PARTS / KITS

MOD	DESCRIPTION	LIST PRICE
AR2748	Rail Kit 1-1/4" (2 rails & 4 bolts)	\$26.67
AR2748H	Rail Kit 2-1/2" (2 rails & 4 bolts)	\$74.62
AR64516	Oil (16 oz)	\$15.80

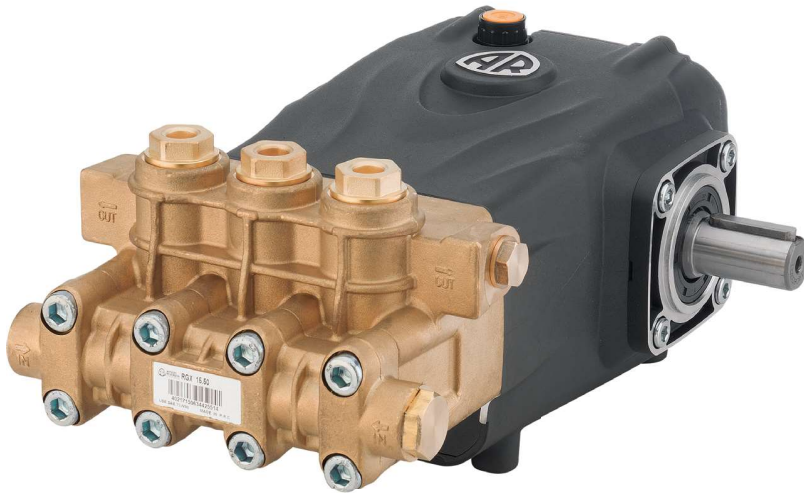
REPAIR KITS

MOD	DESCRIPTION	QTY	LIST PRICE
AR43408	Valves	1	\$142.93
AR43409	Pistons	1	\$71.50
AR43410	Water Seals	1	\$108.02
AR2873	Oil Seals	7	\$53.95
AR43411	Piston Guides	3	\$72.02



RGX

SOLID SHAFT PUMP



Commercial

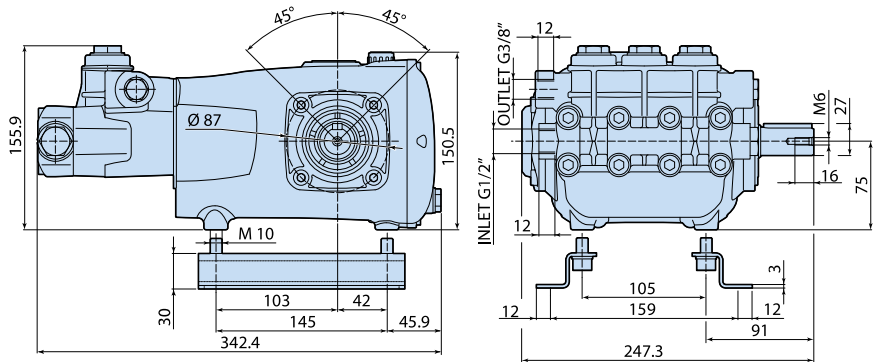
140° F - Max Water Temp
 1/2" - Inlet Thread
 3/8" F - Discharge Thread
 31.8 oz - Oil Capacity



● brass head



○ aluminum connecting-rods



N version

MOD	MAX	MAX		NET	BORE DIA	STROKE	CRANKSHAFT ID STAMP	LIST PRICE	
	l/min	gpm	bar	psi	ebhp	rpm	lbs	mm	
RGXA 1750rpm N version 24mm Solid Shaft									
RGXA4G70HN ● ○	15	4	480	7000	19.22	1750	35.2	18 12 5	\$1,951.05

SPECIAL PARTS / KITS

MOD	DESCRIPTION	LIST PRICE
AR2748	Rail Kit 1-1/4" (2 rails & 4 bolts)	\$26.67
AR2748H	Rail Kit 2-1/2" (2 rails & 4 bolts)	\$74.62
AR64516	Oil (16 oz)	\$15.80

REPAIR KITS

MOD	DESCRIPTION	QTY	LIST PRICE
AR43408	Valves	1	\$142.93
AR43409	Pistons	1	\$71.50
AR43410	Water Seals	1	\$108.02
AR2873	Oil Seals	7	\$53.95
AR43411	Piston Guides	3	\$72.02



EMCO HYDRA-TECH RGX 15.50
4021715063442514
USE SAE J31W90

ST

ST

INDUSTRIAL PUMPS

XWP
SHP
SHPA
RTX

RTD
RTP
RTJ
RTF



Pumps for larger applications.

*Solid shaft pumps for pulley driving or
direct coupling to electric motor.*

*Pressures ranging from 1,450-8,700 psi.
Flow Ranging from 4-40 gpm.*

XWP

SOLID SHAFT PUMP



Industrial

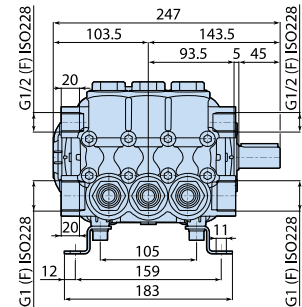
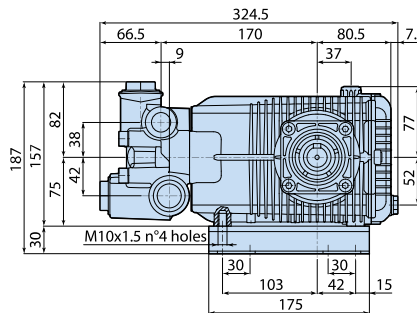
140° F - Max Water Temp
 1" - Inlet Thread
 1/2" - Discharge Thread
 31.8 oz - Oil Capacity



● brass head



○ aluminum connecting rods



N version

MOD	MAX	MAX			BORE DIA	STROKE	CRANKSHAFT ID STAMP	LIST PRICE				
	l/min	gpm	bar	psi	ebhp	rpm	lbs	mm				
XWP 1450rpm N version 24mm Solid Shaft												
XWP50.15N	● ○	50	13.2	150	2200	20.0	1450	39	30	16.6	10	\$2,219.05
XWP55.14N	● ○	55	14.5	140	2000	20.0	1450	39	30	18.8	12	\$2,219.05
XWP60.13N	● ○	60	15.9	130	2000	20.7	1450	39	30	19.8	1	\$2,219.05
XWP65.12N	● ○	65	17.2	120	1740	21.0	1450	39	30	21	7	\$2,219.05
XWP70.12N	● ○	70	18.5	120	1740	22.0	1450	39	30	23	15	\$2,219.05

SPECIAL PARTS / KITS

MOD	DESCRIPTION	LIST PRICE
AR2748	Rail Kit 1-1/4" (2 rails & 4 bolts)	\$26.67
AR2748H	Rail Kit 2-1/2" (2 rails & 4 bolts)	\$74.62
U-Bracket/Kit	Rail Kit 1-1/2" (2 rails & 4 bolts)	\$76.14
AR64516	Oil (16 oz)	\$15.80

REPAIR KITS

MOD	DESCRIPTION	QTY	LIST PRICE
AR42835	Valves	6	\$217.28
AR43444	Pistons	3	\$389.36
AR43446	Water Seals	3	\$241.93
AR43445	Oil Seals	6	\$73.51



SHP

SOLID SHAFT PUMP



Industrial

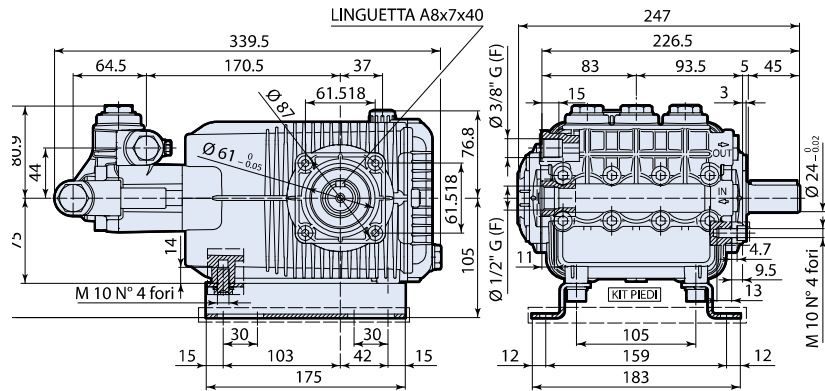
140° F - Max Water Temp
 1/2" F - Inlet Thread
 3/8" F - Discharge Thread
 32 oz - Oil Capacity



● nickel plated brass head



○ aluminum connecting-rods



N version

MOD	MAX	MAX	MAX		NET	BORE DIA	STROKE	CRANKSHAFT ID STAMP	LIST PRICE			
	l/min	gpm	bar	psi	ebhp	rpm	lbs	mm	mm	\$		
SHP 1450rpm N version 24mm Solid Shaft												
SHP1550HN	● ○	15	3.96	500	7250	20.0	1450	29	18	15	8	\$2,573.16
SHP2050HN	○ ○	20	5.3	500	7250	26.4	1450	29	18	18.8	12	\$2,573.16
SHP2250HN	● ○	22	5.8	500	7250	28.9	1450	29	18	21	7	\$2,573.16

SPECIAL PARTS / KITS

MOD	DESCRIPTION	LIST PRICE
AR2748	Rail Kit 1-1/4" (2 rails & 4 bolts)	\$26.67
AR2748H	Rail Kit 2-1/2" (2 rails & 4 bolts)	\$74.62
U-Bracket/Kit	Rail Kit 1-1/2" (2 rails & 4 bolts)	\$76.14
AR64516	Oil (16 oz)	\$15.80

REPAIR KITS

MOD	DESCRIPTION	QTY	LIST PRICE
AR2185	Valves	6	\$257.95
AR2548	Pistons	3	\$261.53
AR2874	Water Seals	3	\$200.96
AR2873	Oil Seals	6	\$53.95
AR42120	Piston Guides	3	\$160.68

SHPA

SOLID SHAFT PUMP



Industrial

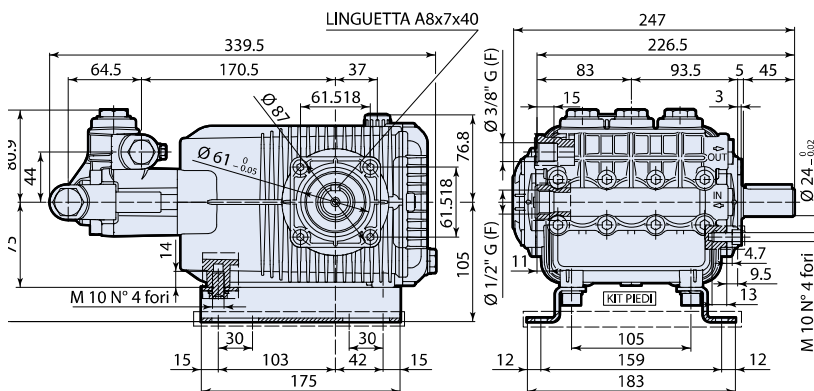
140° F - Max Water Temp
 1/2" F - Inlet Thread
 3/8" F - Discharge Thread
 32 oz - Oil Capacity



● nickel plated brass head



○ aluminum connecting-rods



N version

MOD	MAX	MAX			NET	BORE DIA	STROKE	CRANKSHAFT ID STAMP	LIST PRICE
	l/min gpm	bar psi	ebhp	rpm	lbs	mm	mm		\$
SHPA 1750rpm N version 24mm Solid Shaft									
SHPA4G70HN ● ○	15.1 4	500 7250	20.0 1750	29	18	12.2	5		\$2,573.16

SPECIAL PARTS / KITS

MOD	DESCRIPTION	LIST PRICE
AR2748	Rail Kit 1-1/4" (2 rails & 4 bolts)	\$26.67
AR2748H	Rail Kit 2-1/2" (2 rails & 4 bolts)	\$74.62
U-Bracket/Kit	Rail Kit 1-1/2" (2 rails & 4 bolts)	\$76.14
AR64516	Oil (16 oz)	\$15.80

REPAIR KITS

MOD	DESCRIPTION	QTY	LIST PRICE
AR2185	Valves	6	\$257.95
AR2548	Pistons	3	\$261.53
AR2874	Water Seals	3	\$200.96
AR2873	Oil Seals	6	\$53.95
AR42120	Piston Guides	3	\$160.68



RTX

SOLID SHAFT PUMP

Industrial

140° F - Max Water Temp
 1" F - Inlet Thread
 1/2" F - Discharge Thread
 76 oz - Oil Capacity



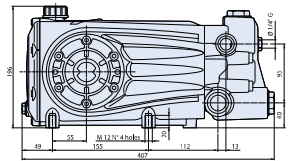
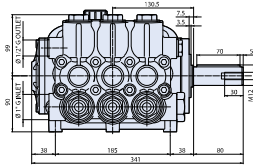
● nickel plated brass head



○ aluminum connecting-rods



○ bronze connecting-rods



N version

MOD		l/min gpm		bar psi		ebhp rpm		lb NET	BORE DIA	STROKE	CRANKSHAFT ID STAMP	LIST PRICE
								lbs	mm	mm		\$
RTX 1450rpm N version 30 x 80mm Solid Shaft												
RTX30	● ○	30.3	8.0	300	4350	23.9	1450	72	20	23	3	\$3,788.92
RTX50	○ ○	45.4	12.0	300	4350	35.8	1450	72	25	23	3	\$3,788.92
RTX60	● ○	53.0	14.0	300	4350	41.8	1450	72	25	28	1	\$3,788.92
RTX70	○ ○	64.4	17.0	200	3000	33.8	1450	72	30	23	3	\$3,788.92
RTX85	● ○	85.0	21.0	200	2200	31.7	1450	72	30	28	1	\$3,788.92
RTX-HW85.150N *	○ ○	85.0	21.0	200	2200	31.7	1450	72	36	23	1	\$5,468.56
RTX100	● ○	90.8	24.0	124	1800	29.8	1450	72	36	23	3	\$3,788.92
RTX150.100N	○ ●	150	39.6	100	1500	36.2	1450	72	40	28	1	\$3,788.92

*HW = Includes Hot Water Kit

SPECIAL PARTS / KITS

MOD	DESCRIPTION	LIST PRICE
U-Bracket/RTX/Kit	Rail Kit 3" (2 rails & 4 bolts)	\$268.21
AR770130	Valve Seat O-Ring	\$0.78
AR2821330	Valve Seat Back-up Ring	\$11.97
AR645107	Oil (SAE30) (1.07 gal)	\$183.60

REPAIR KITS

MOD	DESCRIPTION	QTY	LIST PRICE
AR43555	Hot Water Seal ø 30	3	\$2,171.67
AR43556	Hot Water Seal ø 36	3	\$1,972.70
AR42835	Valves	6	\$217.28
AR43762	Valves ø 40	6	\$218.01
AR42836	Pistons ø 20	3	\$361.97
AR42837	Pistons ø 25	3	\$405.43
AR42838	Pistons ø 30	3	\$409.65

REPAIR KITS (CONTINUED)

MOD	DESCRIPTION	QTY	LIST PRICE
AR42839	Pistons ø 36	3	\$421.69
AR46096	Pistons ø 40	3	\$459.52
AR42840	Oil Seals	7	\$75.31
AR42841	Water Seals ø 20	3	\$289.11
AR42842	Water Seals ø 25	3	\$303.57
AR42843	Water Seals ø 30	3	\$315.96
AR42844	Water Seals ø 36	3	\$325.94
AR46097	Water Seals ø 40	3	\$349.69
AR42851	Piston Guides ø 20	3	\$148.64
AR42852	Piston Guides ø 25	3	\$134.18
AR42853	Piston Guides ø 30	3	\$135.52
AR42854	Piston Guides ø 36	3	\$131.17
AR46098	Piston Guides ø 40	3	\$147.26



Industrial

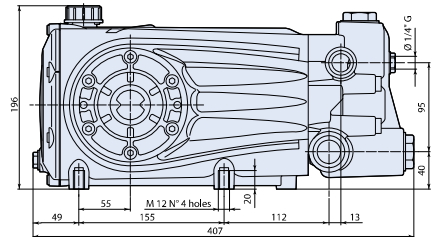
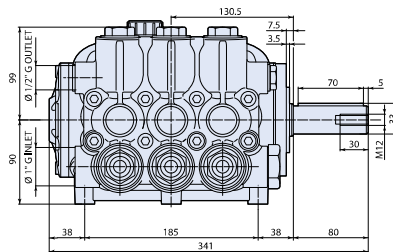
140° F - Max Water Temp
 3/4" F - Inlet Thread
 3/8" F - Discharge Thread
 76 oz - Oil Capacity



● nickel plated brass head



○ bronze connecting-rods



N version

MOD	MAX	MAX	MAX		NET	BORE DIA	STROKE	CRANKSHAFT ID STAMP	LIST PRICE			
	l/min	gpm	bar	psi	ebhp	rpm	lbs	mm	mm	\$		
RTX 1450 rpm N version 30 x 80mm Solid Shaft												
RTX30.500	● ○	30.3	8.0	500	7250	39.8	1450	72	20	23	3	\$4,780.42

SPECIAL PARTS / KITS

MOD	DESCRIPTION	LIST PRICE
U-Bracket/Kit	Rail Kit 3" (2 rails & 4 bolts)	\$76.14
AR770130	Valve Seat O-Ring	\$0.78
AR2821330	Valve Seat Back-up Ring	\$11.97
AR645107	Oil (SAE30) (1.07 gal)	\$183.60

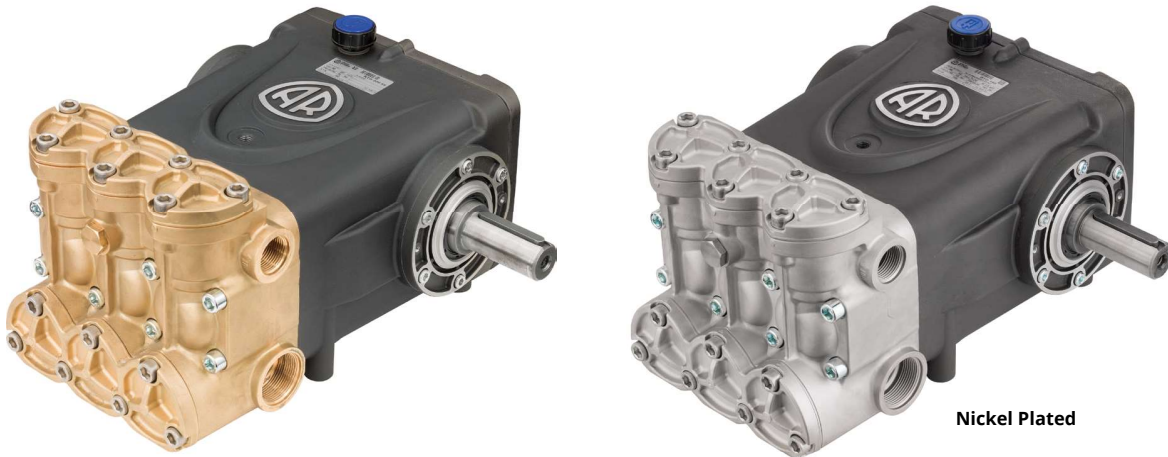
REPAIR KITS

MOD	DESCRIPTION	QTY	LIST PRICE
AR42835	Valves	6	\$217.28
AR42836	Pistons ø 20	3	\$361.97
AR42841	Water Seals ø 20	3	\$289.11
AR42840	Oil Seals	7	\$75.31
AR42851	Piston Guides ø 20	3	\$148.64



RTD

SOLID SHAFT PUMP



Nickel Plated

Industrial

140° F - Max Water Temp
 1 1/2" - Inlet Thread
 1" - Discharge Thread
 110 oz - Oil Capacity



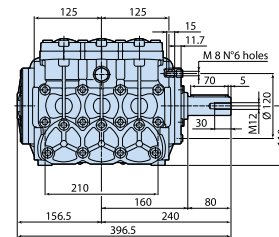
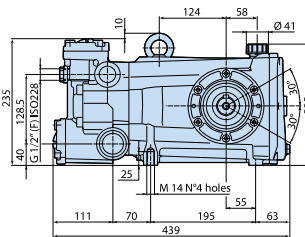
brass head



nickel plated brass head



bronze connecting rods



N version

MOD	MAX	MAX			BORE DIA	STROKE	CRANKSHAFT ID STAMP	LIST PRICE			
	l/min	gpm	bar	psi	ebhp	rpm	lbs	mm	mm		\$

RTD 1000rpm N version 35mm Solid Shaft

RTD80-300	● ○	79.5	21.0	300	4350	65.0	1000	128	32	42	4	\$7,400.79
RTD100-200	● ○	94.6	25.0	200	3000	49.8	1000	128	32	42	3	\$7,400.79
RTD100-200SX	● ○	94.6	25.0	200	3000	49.8	1000	128	32	42	3	\$7,400.79
RTD130-160	● ○	121.1	32.0	160	2300	50.5	1000	128	36	42	3	\$7,400.79
RTD130-200H	● ○	115.0	34.5	200	3000	68.0	1000	128	36	42	3	\$7,731.28
RTD160-130	● ○	151.4	40.0	130	2000	54.8	1000	128	40	42	3	\$7,400.79
RTD200-80	● ○	200	52.8	80	1200	43.4	1000	128	44	48	1	\$7,400.78

SX - 180° Rotated Shaft

SPECIAL PARTS / KITS

MOD	DESCRIPTION	LIST PRICE
AR46108	Plug Kit (Inlet/Outlet)	\$141.43
BRACKET-RTD	Rail Kit 3.576"	\$144.39
AR645107	Oil (SAE30) (1.07 gal)	\$183.60
AR43627	Piston Guide Kit Ø36	\$644.91
AR43628	Piston Guide Kit Ø40	\$644.91

REPAIR KITS (CONTINUED)

MOD	DESCRIPTION	QTY	LIST PRICE
AR43614	Valves	6	\$501.42
AR43623	Pistons Ø36	3	\$424.79
AR43624	Pistons Ø40	3	\$472.38
AR43797	Pistons Ø32	3	\$538.00
AR43625	Water Seals Ø36	3	\$395.50
AR43626	Water Seals Ø40	3	\$451.66
AR43798	Water Seals Ø32	3	\$559.28
AR43799	Piston Guides Ø32	1	\$457.60
AR43616	Oil Seals	6	\$119.98
AR46108	Inlet/Outlet Plug Kit	1	\$141.43

RTP

SOLID SHAFT PUMP



Industrial

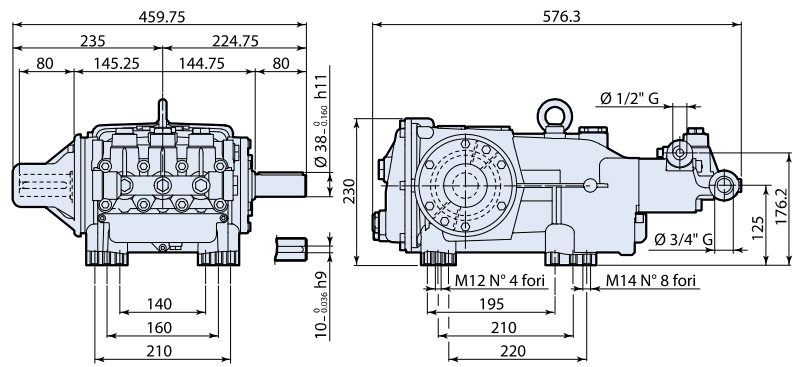
140° F - Max Water Temp
 3/4" F - Inlet Thread
 1/2" F - Discharge Thread
 137 oz - Oil Capacity



nickel plated brass head



bronze connecting rods



N version

MOD					BORE DIA	STROKE	CRANKSHAFT ID STAMP	LIST PRICE
	l/min gpm MAX	bar psi MAX	ebhp rpm	lbs NET	mm	mm		\$
RTP 1000rpm N version 35mm Solid Shaft								
RTP30N	● ○ 30 7.9	500 7250	39.3 1000	177	20	34	2	\$10,233.63
RTP38N	○ ○ 38 10	500 7250	49.8 1000	177	20	42	1	\$10,233.63
RTP30.60N	● ○ 30 7.9	600 8700	47.2 1000	177	20	34	2	\$10,233.63

SPECIAL PARTS / KITS

MOD	DESCRIPTION	LIST PRICE
AR880830	Valve Seat O-Ring	\$1.67
AR2820270	Valve Seat Back-up Ring	\$6.08
BRACKET-RTP/RTF/RTJ	Rail Kit 2"	\$139.14
AR645107	Oil (SAE30) (1.07 gal)	\$183.60

REPAIR KITS

MOD	DESCRIPTION	QTY	LIST PRICE
AR42156	Valves	6	\$284.92
AR42157	Pistons	3	\$1,785.46
AR42159	Water Seals	3	\$864.09
AR42158	Oil Seals	8	\$312.51
AR42160	Piston Guides RTP 30/38	3	\$454.45
AR42558	Piston Guides RTP 30.60	3	\$454.45



RTJ

SOLID SHAFT PUMP



Industrial

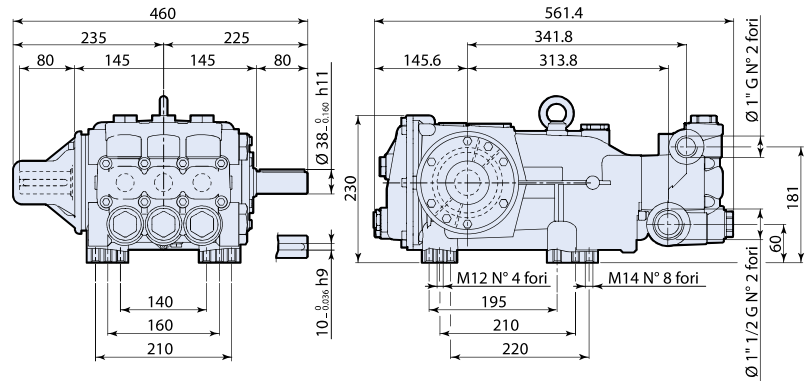
140° F - Max Water Temp
 1-1/2" F - Inlet Thread
 1" F - Discharge Thread
 137 oz - Oil Capacity



nickel plated brass head



bronze connecting rods



N version

MOD	MAX	MAX		NET	BORE DIA	STROKE	CRANKSHAFT ID STAMP	LIST PRICE			
	l/min	gpm	bar	psi	ebhp	rpm	lbs	mm	mm		\$

RTJ 1000rpm N version 35mm Solid Shaft

RTJ70N	● ○	70	18.5	275	4000	50.8	1000	198	25	48	3	\$10,953.64
--------	-----	----	------	-----	------	------	------	-----	----	----	---	-------------

SPECIAL PARTS / KITS

MOD	DESCRIPTION	LIST PRICE
AR770130	Valve Seat O-Ring	\$0.78
AR2821330	Valve Seat Back-up Ring	\$11.97
BRACKET-RTP/RTF/RTJ	Rail Kit 2"	\$139.14
AR645107	Oil (SAE30) (1.07 gal)	\$183.60

REPAIR KITS

MOD	DESCRIPTION	QTY	LIST PRICE
AR42427	Valves	6	\$617.82
AR42559	Pistons	3	\$1,894.55
AR42428	Water Seals	3	\$683.57
AR42560	Oil Seals	8	\$269.76
AR42429	Piston Guides	3	\$449.20



Industrial

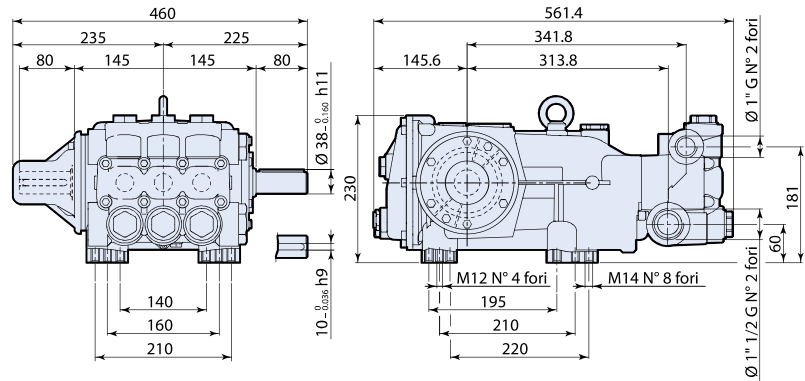
140° F - Max Water Temp
 1-1/2" F - Inlet Thread
 1" F - Discharge Thread
 137 oz - Oil Capacity



nickel plated brass head



bronze connecting-rods



N version

MOD	MAX	MAX		NET	BORE DIA	STROKE	CRANKSHAFT ID STAMP	LIST PRICE				
	l/min	gpm	bar	psi	ebhp	rpm	lbs	mm	mm		\$	
RTF 800rpm N version 35mm Solid Shaft												
RTF135N	● ○	135	36	103	1500	37.1	800	192	40	48	3	\$10,469.70
RTF150.100N	○ ○	150	40	103	1500	41.2	800	192	40	52	4	\$10,469.70

SPECIAL PARTS / KITS

MOD	DESCRIPTION	LIST PRICE
AR550040	Valve Seat O-Ring	\$1.59
AR2820560	Valve Seat Back-up Ring	\$8.96
BRACKET-RTP/RTF/RTJ	Rail Kit 2"	\$139.14
AR645107	Oil (SAE30) (1.07 gal)	\$183.60

REPAIR KITS

MOD	DESCRIPTION	QTY	LIST PRICE
AR42307	Valves	6	\$620.52
AR42308	Pistons	3	\$1,918.91
AR42310	Water Seals	3	\$805.58
AR42309	Oil Seals	8	\$312.51
AR42311	Piston Guides	3	\$917.79

HYDRAULIC PUMPS

RK
XM
XW
HYDRAULIC DRIVE UNITS
HYDRAULIC MOTORS
HYDRAULIC BASE KITS



Hydraulic motor directly mounted to pump.

Extremely compact.

Great to use with pre-existing hydraulic systems.

Great application on truck and tractors with hydraulic systems.

No need for additional gas engine or electric motor.

RK - Hydraulic Drive



Hydraulic

Hydraulic Drive Pump with Mounting Rails and Hydraulic Motor

Motor - Sauer Danfoss

Inlet and Outlet SAE-12

Casedrain SAE-6

Pump -

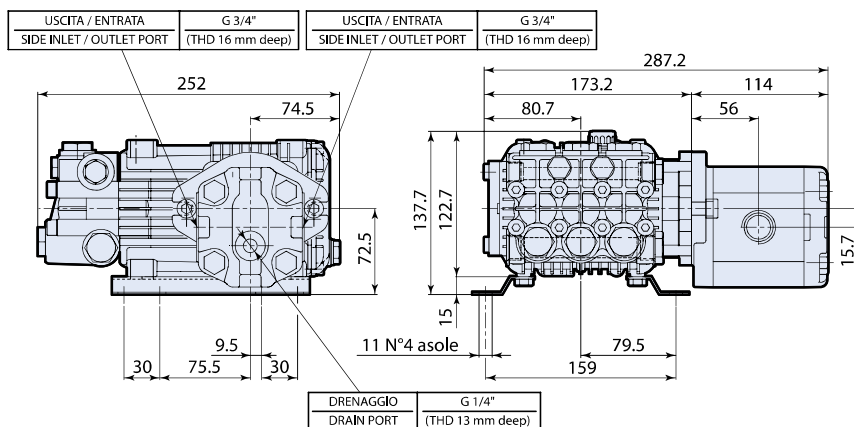
1/2" F Inlet and 3/8" F Outlet



● brass head



○ aluminum connecting-rods



MOD	PUMP				MOTOR				LIST PRICE	
	MAX	MAX	MAX	MAX	MAX	MAX	MAX	MAX		
	l/min	gpm	bar	psi	l/min	gpm	bar	psi	\$	
RK 1450rpm										
HYD-RK1520	● ○	15.1	4	206	3000	29	7.5	175	2500	\$1,982.99
HYD-RK2115	● ○	21	5.5	150	2200	29	7.7	178	2500	\$1,982.99

SPECIAL PARTS / KITS

MOD	DESCRIPTION	LIST PRICE
AR26472	Pump: HYD RK15.20 NPT Pump Only	\$927.03
AR4769	Motor/Hydraulic (RK/XM)	\$870.08
AR42167	Oil Seal Kit Hydraulic Motor	\$232.20



XM - Hydraulic Drive



Hydraulic

Hydraulic Drive Pump with Mounting Rails and Hydraulic Motor

Motor - Sauer Danfoss

3/4" Inlet and Outlet

Pump -

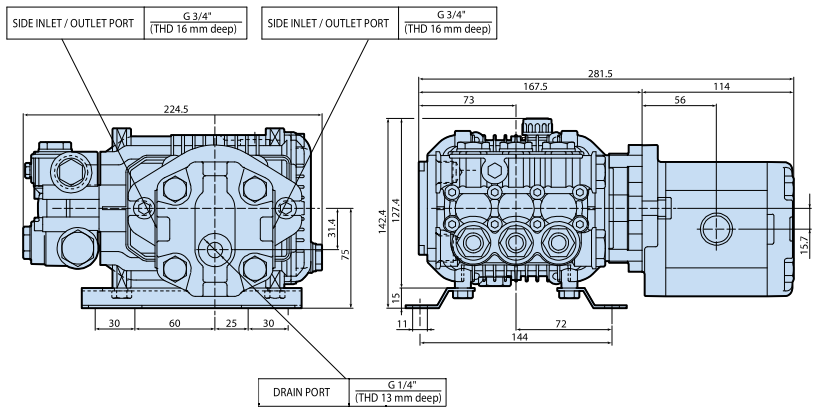
1/2" F Inlet and 3/8" F Outlet



● brass head



○ aluminum connecting rods



MOD	PUMP				MOTOR				LIST PRICE
	MAX	MAX	MAX	MAX	MAX	MAX	MAX	MAX	
	l/min	gpm	bar	psi	l/min	gpm	bar	psi	\$
XM 1450 rpm									
HYD-XM1515 ● ○	15	4	206	3000	36	9.5	180	2610	\$1,539.18

XW - Hydraulic Drive



Hydraulic

Hydraulic Drive Pump with Mounting Rails and Hydraulic Motor

Motor - Sauer Danfoss

3/4" Inlet and Outlet

Pump -

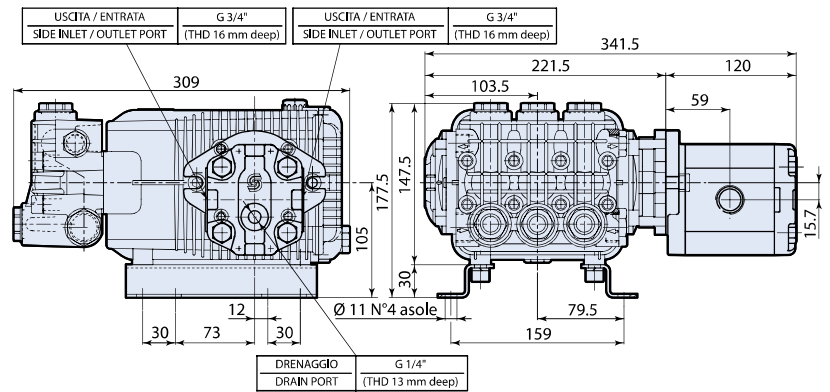
3/4" F Inlet and 3/8" F Outlet



● brass head



○ aluminum connecting rods



MOD	PUMP				MOTOR				LIST PRICE	
	l/min	gpm	bar	psi	l/min	gpm	bar	psi		
XW 1450 rpm										
HYD-XW3010	● ○	30.2	8	150	2200	36	9.5	180	2610	\$2,714.80
HYD-XWL50.09	● ○	50	13.2	90	1300	36	9.5	180	2610	\$2,714.80

SPECIAL PARTS / KITS

MOD	DESCRIPTION	LIST PRICE
AR21601	HYD-XW30.10 Pump and Flange	\$2,352.83
AR4770	HYD-XW30.10 Hydraulic Motor	\$1,770.53



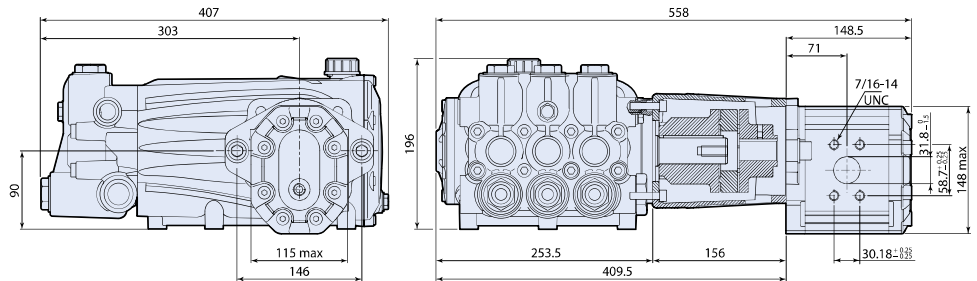
RTX - Hydraulic Drive



Hydraulic

Hydraulic Drive Pump with Flange, Mounting Rails and Hydraulic Motor

Motor - Sauer Danfoss
SAE Code 61 (-20) 1-1/4"
Casedrain SAE-6



● nickel plated brass head



○ aluminum connecting rods

MOD	INLET	OUTLET	PUMP				MOTOR				LIST PRICE	
			MAX	MAX	MAX	MAX	MAX	MAX	MAX	MAX		
	in	in	l/min	gpm	bar	psi	l/min	gpm	bar	psi	\$	
RTX 1450rpm Hydraulic Gear Motor 44c (2.69 cu.in.) - F50 Flange												
HYD-RTX30	● ○	1"	1 1/2"	30.3	8.0	300	4350	70	18.5	150	2175	\$6,196.83
HYD-RTX50	○ ○	1"	1 1/2"	45.4	12.0	200	2900	70	18.5	160	2320	\$6,196.83
HYD-RTX70	● ○	1"	1 1/2"	64.4	17.0	180	2200	70	18.5	180	2610	\$6,196.83
HYD-RTX85	○ ○	1"	1 1/2"	85.0	21.0	150	2200	70	18.5	225	3265	\$6,846.68
HYD-RTX100	● ○	1"	1 1/2"	90.8	24.0	120	1740	70	18.5	210	3046	\$6,846.68

RTX - Hydraulic Drive



SAE-6
O-Ring Port

Hydraulic

Hydraulic Drive Pump with Flange,
Mounting Rails and Hydraulic Motor

Motor - Sauer Danfoss
SAE Code 61 (-20) 1-1/4"
Casedrain SAE-6



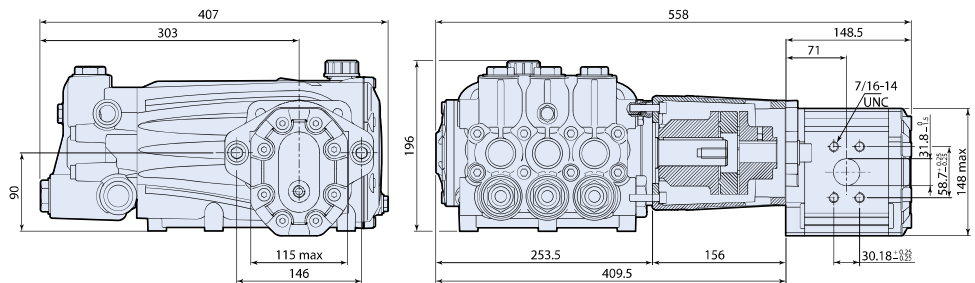
● nickel
plated
brass
head



○ aluminum
connecting-
rods



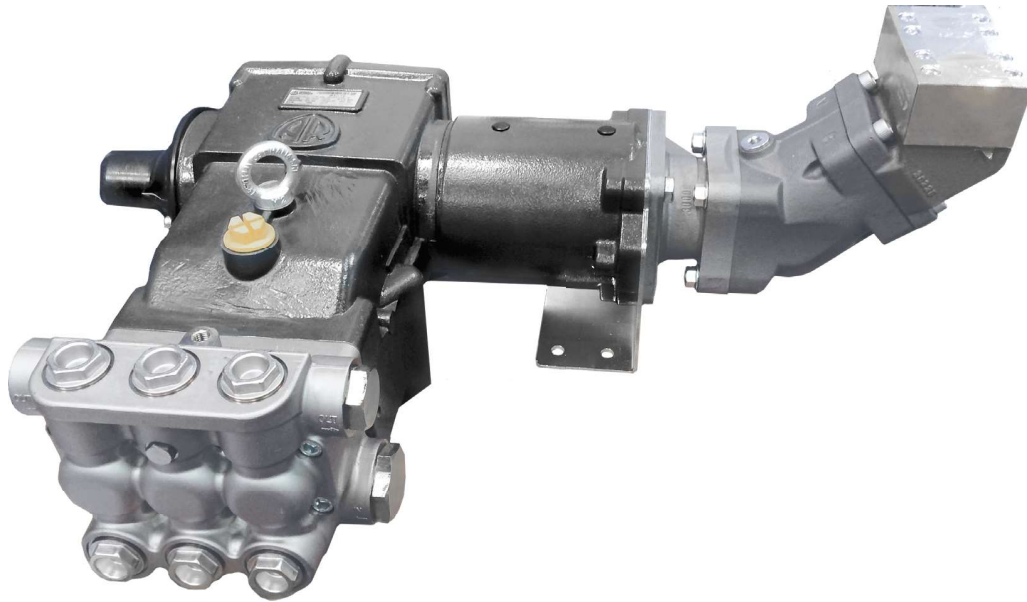
○ bronze
connecting-
rods



MOD	INLET	OUTLET	PUMP				MOTOR				LIST PRICE
			MAX	MAX	MAX	MAX	MAX	MAX	MAX	MAX	
	in	in	l/min	gpm	bar	psi	l/min	gpm	bar	psi	\$
RTX 1450rpm Hydraulic Gear Motor 90c (5.49 cu.in.) - F54 Flange											
HYD-RTX30.500P ● ○	1"	1 1/2"	30	7.9	500	7250	737	36	135	1960	\$8,321.46
HYD-RTX50.300P ○ ○	1"	1 1/2"	50	12.0	300	4350	137	36	135	1960	\$7,377.18
HYD-RTX60.300P ● ○	1"	1 1/2"	60	14.0	300	4350	137	36	155	2250	\$7,377.18
HYD-RTX150.100P ○ ○	1"	1 1/2"	150	39.5	100	1450	137	36	125	1825	\$7,377.18



RT - Hydraulic Drive



Hydraulic

Hydraulic Drive Pump with F50 Flange, Mounting Rails and Hydraulic Motor

Motor - Sauer Danfoss

3/4" Inlet and Outlet

Pump

1" F Inlet and 1/2" F Outlet



● nickel plated brass head



○ bronze connecting rods

MOD	INLET	OUTLET	PUMP				MOTOR				LIST PRICE
			l/min	gpm	bar	psi	l/min	gpm	bar	psi	
RTP 1000rpm											
HYD-RTP30N	● ○ 3/4"	1/2"	30	7.9	500	7250	88	23.5	230	3335	\$19,381.33
HYD-RTP38N	○ ○ 3/4"	1/2"	38	10	500	7250	88	23.5	280	4060	\$19,381.33
HYD-RTP30.60N	● ○ 3/4"	1/2"	30	7.9	600	8700	88	23.5	265	3842	\$19,381.33
RTF 800rpm											
HYD-RTF135N	● ○ 1 1/2"	1"	135	36	103	1500	70.5	18.6	245	3555	\$20,101.35
HYD-RTF150N	○ ○ 1 1/2"	1"	150	40	103	1500	70.5	18.6	275	3990	\$20,106.07
RTJ 1000rpm											
HYD-RTJ70	● ○ 1 1/2"	1"	70	18.5	275	4000	88	23.5	280	4060	\$20,101.35

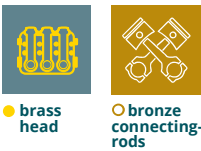
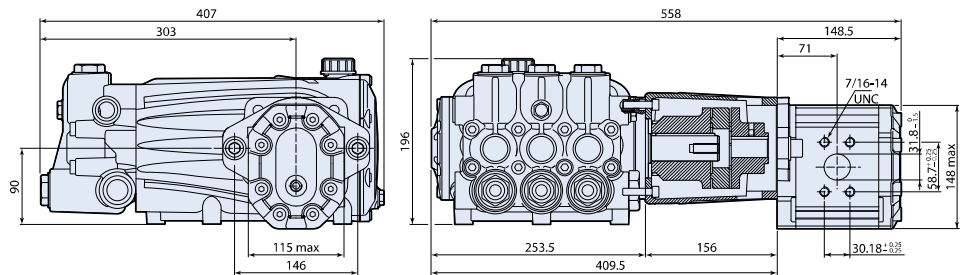
RTD - Hydraulic Drive



Hydraulic

Hydraulic Drive Pump with F55 Flange, Mounting Rails and Hydraulic Motor

Motor - Piston Motor
1-1/16" - 12 UNF - Inlet/Outlet



MOD	INLET	OUTLET	PUMP				MOTOR				LIST PRICE	
			MAX	MAX	MAX	MAX	MAX	MAX	MAX	MAX		
	in	in	l/min	gpm	bar	psi	l/min	gpm	bar	psi	\$	
RTD 1000rpm												
HYD-RTD100.200	● ○	1 1/2"	1"	94.6	25.0	200	2900	95	25	241	3500	\$14,376.65
HYD-RTD130.160	● ○	1 1/2"	1"	121.1	32.0	159	2300	95	25	260	3770	\$14,376.65
HYD-RTD160.130	● ○	1 1/2"	1"	151.4	40.0	128	1850	95	25	260	3770	\$14,376.65



Hydraulic Motors



Hydraulic

Hydraulic Drive Pump with F55 Flange, Mounting Rails and Hydraulic Motor

MOD	C.I.D	RATED GPM @ 1500 RPM	MAX RPM	RATED GPM @ MAX RPM	PEAK	CONT	INT	CASE DRAIN 1/4" SAE O-RING PORT	SHAFT Ø	PORT Ø	PORT	LIST PRICE
	cc's	gpm	rpm	gpm	psi	psi	psi		mm		sae	\$
Hydraulic Motors												
HYDM083	0.50 (8.3)	3.10	4000	8.80	3915	3480	3500	6	5/8"	1-1/16-12UNF	12	\$1,026.91
HYDM116M	0.70 (11.5)	4.33	4000	12.12	3625	3190	3335	6	5/8"	1-1/16-12UNF	12	\$861.66
HYDM180M	1.09 (17.9)	6.73	2500	11.82	3260	2900	3045	6	5/8"	1-1/16-12UNF	12	\$885.26
HYDM282M	1.72 (28.2)	10.50	1800	13.40	3118	2755	2900	6	5/8"	1-1/16-12UNF	12	\$1,321.99
HYDM329M	2.04 (33.4)	12.68	3300	29.14	3625	3190	3335	6	7/8"	1-5/16-12UN	16	\$1,569.86
HYDM390M	2.38 (39)	14.79	3000	30.77	3480	3045	3190	6	7/8"	1-5/16-12UN	16	\$1,605.28
HYDM433M	4.33 (71)	26.68	2500	46.96	3118	2755	2900	6	7/8"	SAE Code 61	20	\$2,219.05
AR4769	1.17 (19.2)	7.7	3500	17.74	2600	1450	-	6	5/8"	1-1/16-12UNF	12	\$870.08
AR4770	1.39 (22.8)	9.5	3500	21.00	2900	2600	-	6	5/8"	1-1/16-12UNF	12	\$1,770.53

Hydraulic Accessories



HYDB18 - HYDB19

- Zinc Plated
- 10.9 Gauge
- Hole punched for rubber feet



HYDB20

- Painted Zinc Plated
- 10.9 Gauge
- Hole punched for rubber feet



AR8367542

BASE PLATES

MOD	DESCRIPTION	LIST PRICE
HYDB18	L18 x W12 x H1-5/8	\$278.57
HYDB19	L19 x W14 x H1-5/8	\$214.35
HYDB20	Base Plate	\$142.12

RUBBER FEET

MOD	DESCRIPTION	LIST PRICE
AR8367542	Rubber Feet	\$7.20

Hydraulic Base Kits



HYDBK1

HYDBK1

MOD	DESCRIPTION	LIST PRICE
HYDBK1	Hydraulic Base Kit	\$325.07

Compatible with Hydraulic Motors: HYDM116M, HYDM083, HYDM180M, HYDM320, AR4769, AR4770

- 12" x 18" x 1-5/8"
- Zinc Plated 10 Gauge Steel - Rubber Feet
- Pre-drilled for XT, XM, RK, RC & XW series pumps with standard mounting rails
- Closed couple hydraulic motor flange and spacers (if REQ for 5/8" hollow shaft (RC, XT & XM series))
- Misc. hardware
- Pump, motor and accessories sold separately.



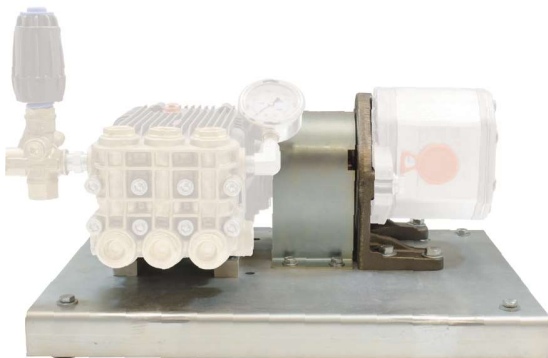
HYDBK2

HYDBK2

MOD	DESCRIPTION	LIST PRICE
HYDBK2	Hydraulic Base Kit	\$788.59

Compatible with Hydraulic Motors: HYD116M, HYDM083, HYDM180M, AR4769 or AR4770

- 12" x 18" x 1-5/8"
- Zinc Plated 10 Gauge Steel - Rubber Feet
- Pre-drilled for XM, RK & XW series pumps with standard mounting rails
- Flange Mount w/L095 flex coupler (XM & RK "NL" shaft only)
- Misc. hardware
- Pump, motor and accessories sold separately.



HYDBK4

HYDBK4

MOD	DESCRIPTION	LIST PRICE
HYDBK4	Hydraulic Base Kit	\$878.88

Compatible with Hydraulic Motors: HYDM329M, HYDM390M or HYDM433M

- 14" x 19" x 1-5/8"
- Zinc Plated 10 Gauge Steel with 2 welded rib supports - Rubber Feet
- L100 flex drive coupler
- Cast iron hydraulic motor mount
- Pre-drilled for XW & SXW series pumps
- Misc. hardware
- Pump, motor and accessories sold separately.

STAINLESS STEEL

CR SERIES Stainless Steel pump up to 14,500 psi.

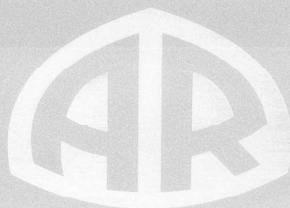
- *High resistance forged alloy steel* crankshaft.
- *Low friction Bronze* connecting rods.
- *Crankcase and covers in anodised die-cast aluminium alloy.*
- *Lateral and back side* oil sight glass.
- *Splash lubrication.*
- *Tungsten carbide* plungers.
- *Double* gasket sealing system.
- *Cooling system for the high pressure seals* for a longer life.
- *Pump head in high resistance stainless steel.*
- *Inox* suctions/delivery valves with geometry designed to *reduce wear.*

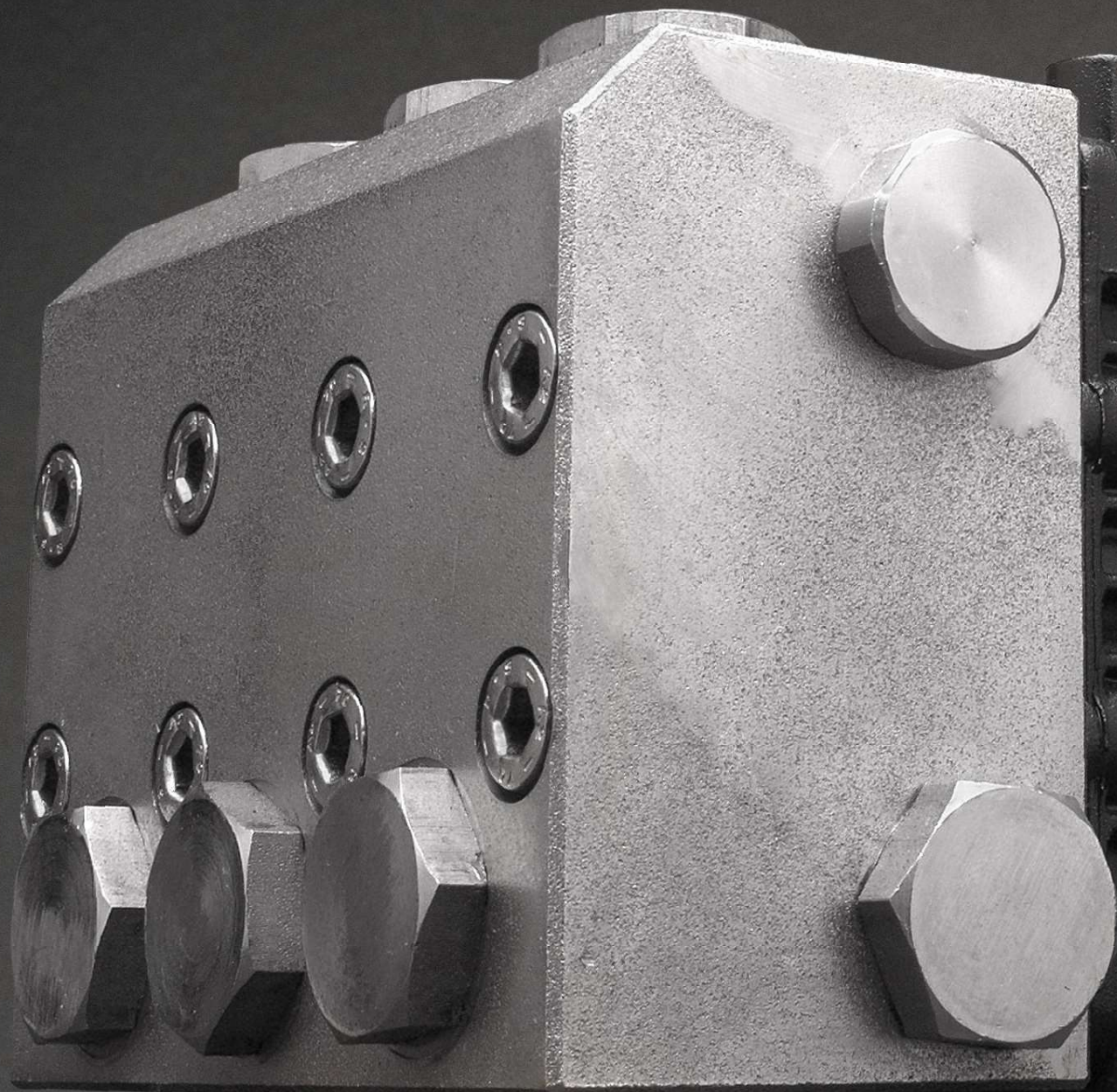


ANNOVI REVERBERI CR 20.1000 N EAC

MADE IN ITALY	Nr. 00000	CP0000000000000001
VOLUME	20 l/min	FLOW 5.28 U.S. gpm
PRESSIONE	1000 bar	PRESSURE 14500 psi
R.P.M.	1000	OIL SAE 30
ANNOVI REVERBERI S.p.A. 41100 Modena (Italy)		

Handbuilt in Italy

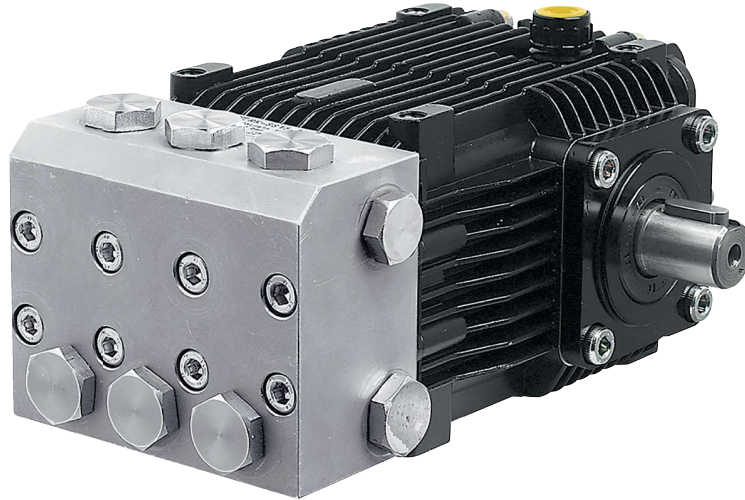




STAINLESS STEEL

XMA-SS
JK-SS
RK-SS
RKA-SS
XWL-SS

XWLA-SS
STP-SS
STPA-SS
RTX-SS
CR



Stainless steel will hold up to many chemicals that attack brass, aluminum, and nickel.

Seals in all stainless pumps are Viton.

Holds up to salt water.

Great for R/O systems and deionized water.

XMA-SS-F33

SOLID SHAFT PUMP



Stainless Steel

140° F - Max Water Temp
 1/2" F - Inlet Thread
 3/8" F - Discharge Thread
 14.5 oz - Oil Capacity



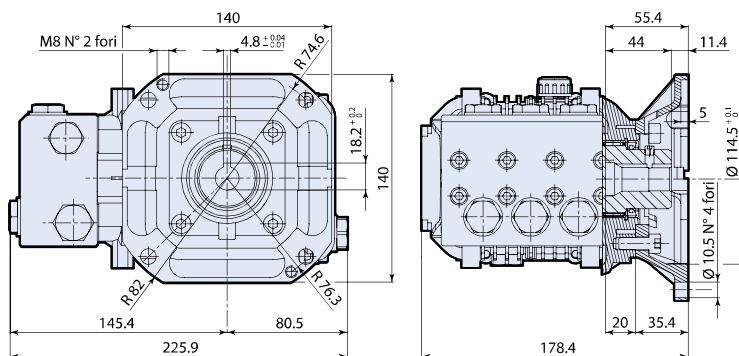
● AISI 316L
 pump head



○ bronze
 connecting-
 rods



○ viton
 o-rings



E version + F33

MOD	MAX	MAX			BORE DIA	STROKE	CRANKSHAFT ID STAMP	LIST PRICE			
	l/min	gpm	bar	psi	ebhp	rpm	lbs	mm	mm		\$
XMA-SS 1750rpm E version 5/8" with Nema 56-C Flange											
XMASS0.5G15E-F33 ●●○	1.9	0.5	140	2000	0.68	1750	17	15	2.2	13	\$2,950.88
XMASS18G15E-F33 ●●○	6.8	1.8	140	2000	2.47	1750	17	15	8.2	7	\$2,950.88
XMASS25G15E-F33 ●●○	9.5	2.5	140	2000	3.43	1750	17	15	10.6	5	\$2,950.88
XMASS3G15E-F33 ●●○	11.4	3	140	2000	4.12	1750	17	15	13.2	3	\$2,950.88
XMASS35G15E-F33 ●●○	13.2	3.5	140	2000	4.80	1750	17	18	10.6	5	\$2,950.88
XMASS42G20E-F33 ●●○	15.9	4.2	140	2000	5.77	1750	17	18	12.7	4	\$2,950.88

SPECIAL PARTS / KITS

MOD	DESCRIPTION	LIST PRICE
AR64516	Oil (16 oz)	\$15.80

REPAIR KITS

MOD	DESCRIPTION	QTY	LIST PRICE
AR2631	Valves	6	\$106.37
AR2645	Pistons	3	\$245.47
AR2644	Water Seals	3	\$142.02
AR2787	Oil Seals	6	\$59.70
AR2740	Support Rings	3	\$13.54



XMA-SS

SOLID SHAFT PUMP



Stainless Steel

140° F - Max Water Temp
 1/2" F - Inlet Thread
 3/8" F - Discharge Thread
 14.5 oz - Oil Capacity



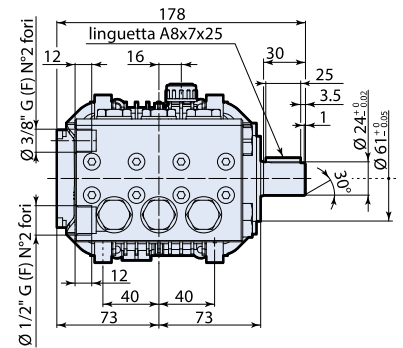
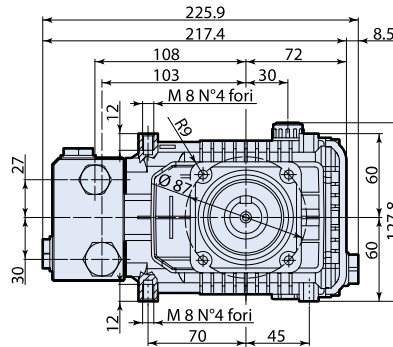
● AISI 316L pump head



○ aluminum connecting rods



○ viton o-rings



N version

MOD	MAX	MAX		NET	BORE DIA	STROKE	CRANKSHAFT ID STAMP	LIST PRICE
	l/min gpm	bar psi	ebhp rpm	lbs	mm	mm		\$
XMA-SS 1750rpm N version 24mm Solid Shaft								
XMASS3G10N ●○○	11.4 3	140 2000	4.12 1750	17	15	13.2	3	\$2,950.88

SPECIAL PARTS / KITS

MOD	DESCRIPTION	LIST PRICE
AR2729	Rail Kit 5/8" (2 rails & 4 bolts)	\$41.08
AR2633	Rail Kit 1-3/4" (2 rails & 4 bolts)	\$35.18
AR2633H	Rail Kit 2-5/8" (2 rails & 4 bolts)	\$46.40
AR64516	Oil (16 oz)	\$15.80

REPAIR KITS

MOD	DESCRIPTION	QTY	LIST PRICE
AR2631	Valves	6	\$106.37
AR2544	Pistons	3	\$179.97
AR2644	Water Seals	3	\$142.02
AR2786	Oil Seals	6	\$48.32
AR2740	Support Rings	3	\$13.54

JK-SS

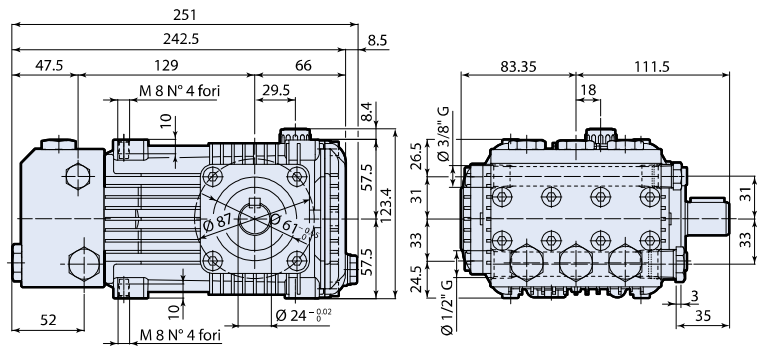
SOLID SHAFT PUMP







Stainless Steel

140° F - Max Water Temp
 1/2" F - Inlet Thread
 3/8" F - Discharge Thread
 14.5 oz - Oil Capacity

-  ● AISI 316L pump head
-  ○ bronze connecting-rods
-  ○ viton o-rings



N version

MOD	 MAX	 MAX		 NET	BORE DIA	STROKE	CRANKSHAFT ID STAMP	LIST PRICE				
	l/min	gpm	bar	psi	ebhp	rpm	lbs	mm	mm		\$	
JK-SS 1450rpm N version 24mm Solid Shaft												
JK-SS1515N	●○○	15	4.0	150	2200	6.0	1450	22	18	13.8	2	\$4,058.90
JK-SS2115N	●○○	21	5.5	150	2200	8.3	1450	22	22	13	13	\$4,210.24

SPECIAL PARTS / KITS

MOD	DESCRIPTION	LIST PRICE
AR64516	Oil (16 oz)	\$15.80

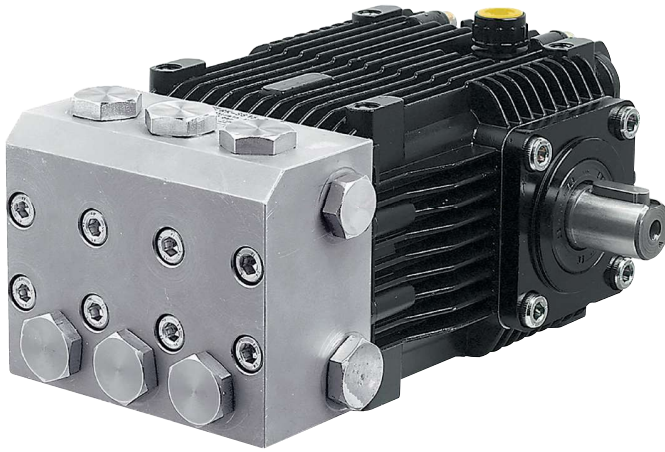
REPAIR KITS

MOD	DESCRIPTION	QTY	LIST PRICE
AR2275	Valves	6	\$150.88
AR43402	Pistons Ø 18	3	\$98.14
AR43404	Water Seals Ø 18	3	\$39.55
AR43403	Oil Seals	4	\$28.72
AR43405	Support Rings Ø 18	3	\$19.19
AR46110	Pistons Ø 22	3	\$156.66
AR46113	Water Seals Ø 22	3	\$73.10
AR46115	Support Rings Ø 22	3	\$26.11



RK-SS

SOLID SHAFT PUMP



Stainless Steel

140° F - Max Water Temp
 1/2" F - Inlet Thread
 3/8" F - Discharge Thread
 15 oz - Oil Capacity



● AISI 316L pump head



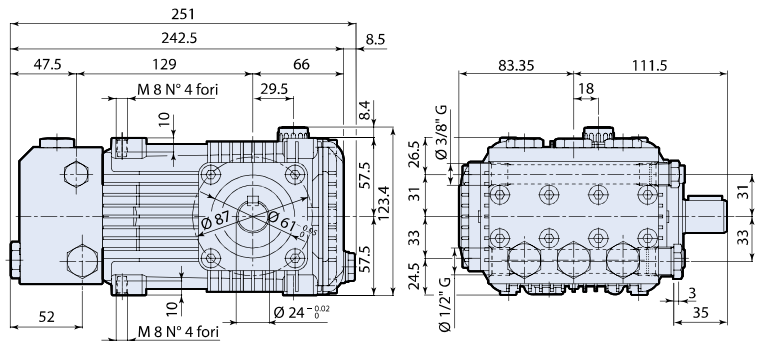
○ bronze connecting rods



○ aluminum connecting rods



○ viton o-rings



N version

MOD	MAX	MAX		NET	BORE DIA	STROKE	CRANKSHAFT ID STAMP	LIST PRICE			
	l/min	gpm	bar	psi	ebhp	rpm	lbs	mm	mm		\$
RK-SS 1450rpm N version 24mm Solid Shaft											
RKSS11.11N ● ○ ○	11	2.9	200	3000	6.0	1450	22	18	10.8	5	\$3,493.83
RKSS13.17N ● ○ ○	13	3.43	200	3000	7.1	1450	22	18	12.8	3	\$3,651.53
RKSS15.15N ● ○ ○	15	3.96	200	3000	8.1	1450	22	18	14.6	1	\$3,493.83
RKSS21.15N ● ○ ○	21	5.55	150	2200	8.3	1450	22	22	14.6	1	\$3,493.83

SPECIAL PARTS / KITS

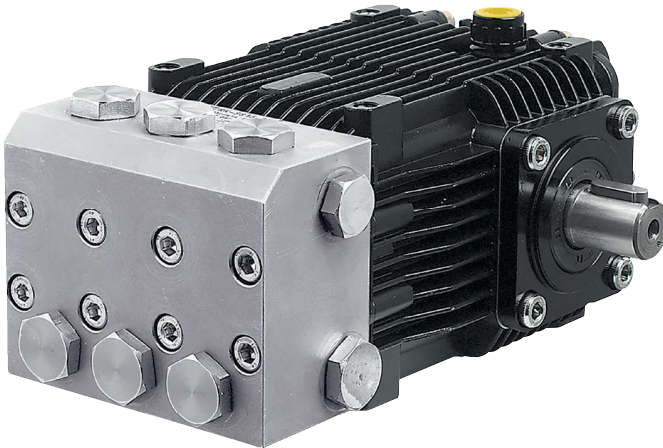
MOD	DESCRIPTION	LIST PRICE
AR2729	Rail Kit 5/8" (2 rails & 4 bolts)	\$41.08
AR2633	Rail Kit 1-3/4" (2 rails & 4 bolts)	\$35.18
AR2633H	Rail Kit 2-5/8" (2 rails & 4 bolts)	\$46.40
AR64516	Oil (16 oz)	\$15.80

REPAIR KITS

MOD	DESCRIPTION	QTY	LIST PRICE
AR2514	Valves	6	\$135.22
AR2552	Pistons ø 18	3	\$364.68
AR2526	Pistons ø 22	3	\$364.68
AR2516	Water Seals ø 18 Viton	3	\$212.58
AR2527	Water Seals ø 22 Viton	3	\$307.93
AR2528	Oil Seals	6	\$57.91
AR1829	Support Rings ø 18	3	\$18.41
AR1816	Support Rings ø 22	3	\$12.00

RKA-SS

SOLID SHAFT PUMP



Stainless Steel

140° F - Max Water Temp
 1/2" F - Inlet Thread
 3/8" F - Discharge Thread
 15 oz - Oil Capacity



● AISI 316L pump head



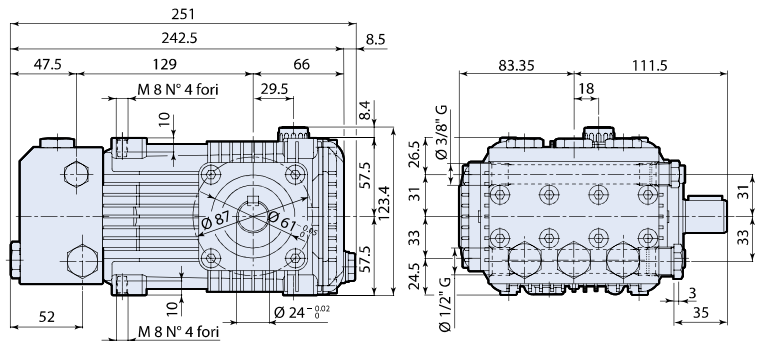
○ bronze connecting rods



○ aluminum connecting rods



○ viton o-rings



N version

MOD	MAX l/min	MAX gpm	MAX bar	MAX psi	MAX ebhp	MAX rpm	NET lbs	BORE DIA mm	STROKE mm	CRANKSHAFT ID STAMP	LIST PRICE \$
RKA-SS 1750rpm N version 24mm Solid Shaft											
RKASS2.3G15N ● ○ ○	8.7	2.3	200	3000	4.7	1750	22	18	7	8	\$3,493.83
RKASS3G15N ● ○ ○	11.4	3	200	3000	6.2	1750	22	18	9.8	6	\$3,493.83
RKASS3.6G12N ● ○ ○	13.6	3.6	200	3000	7.4	1750	22	18	11.2	10	\$3,493.83
RKASS4.2G15N ● ○ ○	15.9	4.2	200	3000	8.6	1750	22	18	12	4	\$3,493.83
RKASS7G22N ● ○ ○	22	7	150	2200	10.6	1750	22	22	14.6	1	\$3,493.83

SPECIAL PARTS / KITS

MOD	DESCRIPTION	LIST PRICE
AR2729	Rail Kit 5/8" (2 rails & 4 bolts)	\$41.08
AR2633	Rail Kit 1-3/4" (2 rails & 4 bolts)	\$35.18
AR2633H	Rail Kit 2-5/8" (2 rails & 4 bolts)	\$46.40
AR64516	Oil (16 oz)	\$15.80

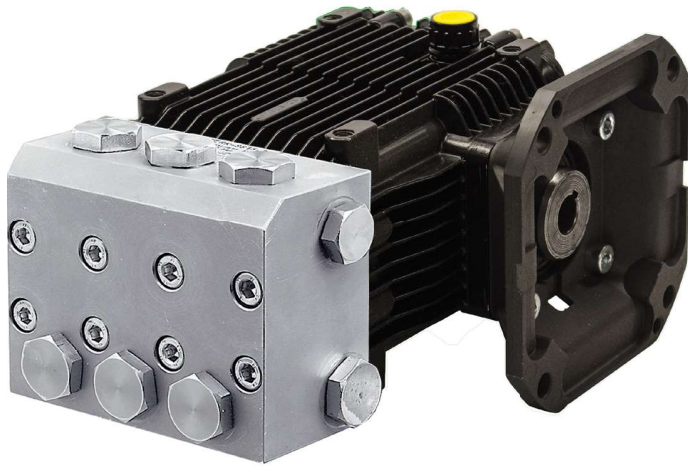
REPAIR KITS

MOD	DESCRIPTION	QTY	LIST PRICE
AR2514	Valves	6	\$135.22
AR2552	Pistons ø 18	3	\$364.68
AR2516	Water Seals ø 18 Viton	3	\$212.58
AR2528	Oil Seals	6	\$57.91
AR1829	Support Rings ø 18	3	\$18.41



RKA-SS-F33

HOLLOW SHAFT PUMP



Stainless Steel

140° F - Max Water Temp
 1/2" F - Inlet Thread
 3/8" F - Discharge Thread
 15 oz - Oil Capacity



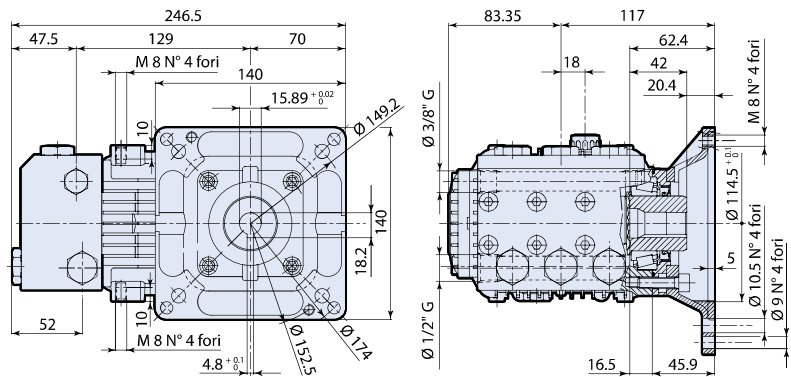
● AISI 316L pump head



○ bronze connecting rods



○ viton o-rings



E version + F33

MOD	MAX	MAX			BORE DIA	STROKE	CRANKSHAFT ID STAMP	LIST PRICE
	l/min	gpm	bar	psi	mm	mm		\$
RKA-SS 1750rpm E version 5/8" with Nema 56-C Flange								
RKASS23G15E-F33	8.7	2.3	200	3000	22	7	8	\$3,552.85
RKASS3G15E-F33	11.4	3	200	3000	22	9.8	6	\$3,552.85
RKASS36G12E-F33	13.6	3.6	200	3000	22	11.2	10	\$3,552.85
RKASS42G15E-F33	15.9	4.2	200	3000	22	12	4	\$3,552.85

SPECIAL PARTS / KITS

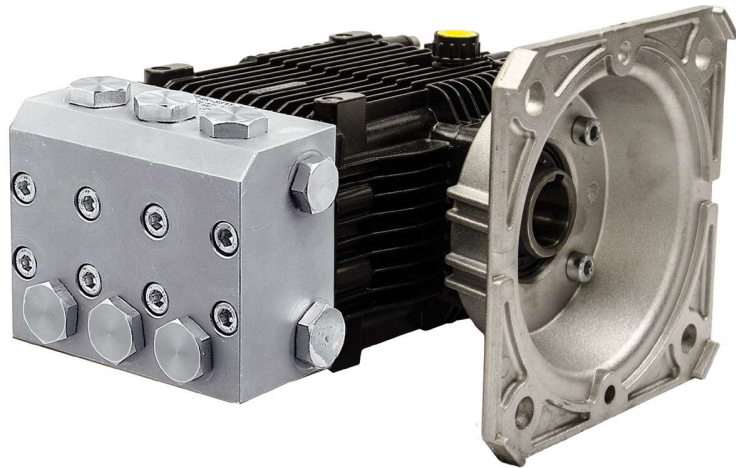
MOD	DESCRIPTION	LIST PRICE
AR64516	Oil (16 oz)	\$15.80

REPAIR KITS

MOD	DESCRIPTION	QTY	LIST PRICE
AR2514	Valves	6	\$135.22
AR2552	Pistons Ø 18	3	\$364.68
AR2516	Water Seals Ø 18 Viton	3	\$212.58
AR2528	Oil Seals	6	\$57.91
AR1829	Support Rings Ø 18	3	\$18.41

RKA-SS-F17

HOLLOW SHAFT PUMP



Stainless Steel

140° F - Max Water Temp
 1/2" F - Inlet Thread
 3/8" F - Discharge Thread
 15 oz - Oil Capacity



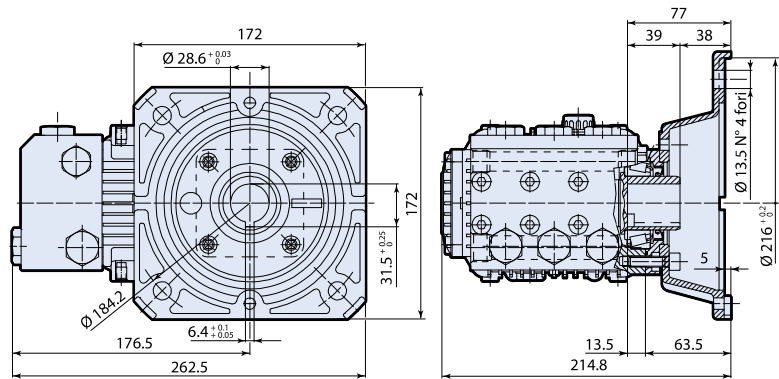
● AISI 316L pump head



○ bronze connecting rods



○ Viton o-rings



E version + F17

MOD	MAX	MAX			BORE DIA	STROKE	CRANKSHAFT ID STAMP	LIST PRICE				
	l/min	gpm	bar	psi	ebhp	rpm	lbs	mm	mm		\$	
RKA-SS 1750rpm E version 1-1/8" with Nema 182-184 Flange												
RKASS23G15E-F17	● ○ ●	8.7	2.3	200	3000	4.7	1750	22	18	7	8	\$3,552.85
RKASS3G15E-F17	● ○ ●	11.4	3	200	3000	6.2	1750	22	18	9.8	6	\$3,552.85
RKASS36G12E-F17	● ○ ●	13.6	3.6	200	3000	7.4	1750	22	18	11.2	10	\$3,552.85
RKASS42G15E-F17	● ○ ●	15.9	4.2	200	3000	8.6	1750	22	18	12	4	\$3,552.85
RKASS7G22E-F17	● ○ ●	22	7	150	2200	10.6	1750	22	22	14.6	1	\$3,552.85

SPECIAL PARTS / KITS

MOD	DESCRIPTION	LIST PRICE
AR64516	Oil (16 oz)	\$15.80

REPAIR KITS

MOD	DESCRIPTION	QTY	LIST PRICE
AR2514	Valves	6	\$135.22
AR2552	Pistons $\varnothing 18$	3	\$364.68
AR2516	Water Seals $\varnothing 18$ Viton	3	\$212.58
AR2528	Oil Seals	6	\$57.91
AR1829	Support Rings $\varnothing 18$	3	\$18.41






XWL-SS

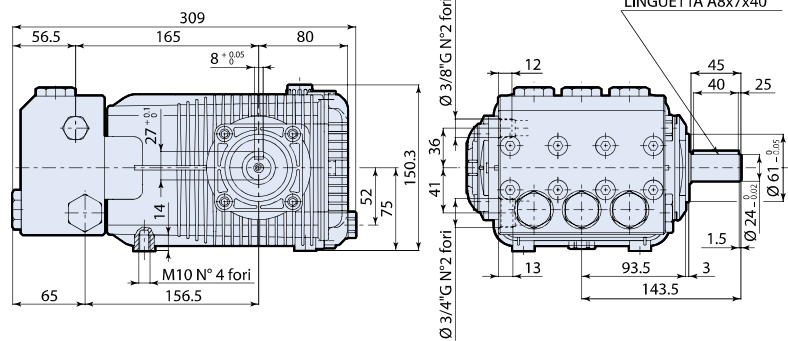
SOLID SHAFT PUMP







Stainless Steel

140° F - Max Water Temp
 3/4" F - Inlet Thread
 3/8" F - Discharge Thread
 32 oz - Oil Capacity

-  ● AISI 316L pump head
-  ○ aluminum connecting rods
-  ○ viton o-rings



N version

MOD	 MAX	 MAX		 NET	BORE DIA	STROKE	CRANKSHAFT ID STAMP	LIST PRICE			
	l/min	gpm	bar	psi	ebhp	rpm	lbs	mm	mm		\$
XWL-SS 1450rpm N version 24mm Solid Shaft											
XWLSS42.15N ● ○ ○	42	11	150	2200	16.6	1450	36	28	17.2	2	\$5,594.86
XWLSS50.15N ● ○ ○	50	13.2	150	2200	20.0	1450	37	28	19.4	10	\$5,594.86

SPECIAL PARTS / KITS

MOD	DESCRIPTION	LIST PRICE
AR2729	Rail Kit 5/8" (2 rails & 4 bolts)	\$41.08
U-Bracket/Kit	Rail Kit 1-1/2" (2 rails & 4 bolts)	\$76.14
AR64516	Oil (16 oz)	\$15.80

REPAIR KITS

MOD	DESCRIPTION	QTY	LIST PRICE
AR2162	Valves	6	\$189.84
AR2163	Pistons	3	\$352.29
AR2164	Water Seals	3	\$470.12
AR2781	Oil Seals	6	\$73.50
AR2165	Piston Guide	3	\$1,070.67

XWLA-SS

SOLID SHAFT PUMP



Stainless Steel

140° F - Max Water Temp
 1/2" F - Inlet Thread
 3/8" F - Discharge Thread
 15 oz - Oil Capacity



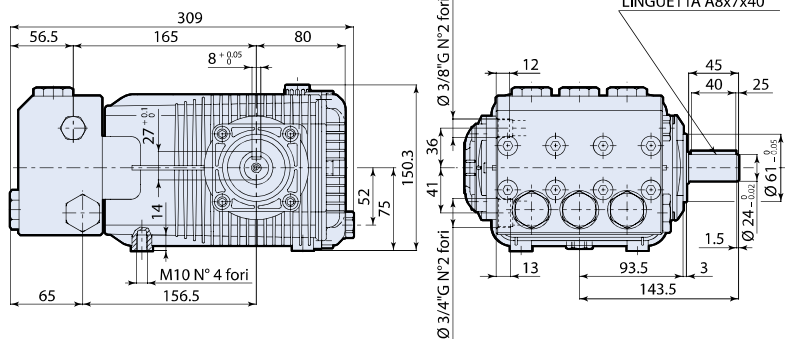
● AISI 316L pump head



○ aluminum connecting rods



○ Viton o-rings



N version

MOD	MAX	MAX		NET	BORE DIA	STROKE	CRANKSHAFT ID STAMP	LIST PRICE
	l/min gpm	bar psi	ebhp rpm	lbs	mm	mm		\$

XWLA-SS 1750rpm N version 24mm Solid Shaft

XWLASS12G22N ● ○ ○ 45 12 150 2200 18.1 1750 36 28 15 8 \$5,594.86

SPECIAL PARTS / KITS

MOD	DESCRIPTION	LIST PRICE
AR64516	Oil (16 oz)	\$15.80

REPAIR KITS

MOD	DESCRIPTION	QTY	LIST PRICE
AR2514	Valves	6	\$135.22
AR2552	Pistons ø 18	3	\$364.68
AR2516	Water Seals ø 18 Viton	3	\$212.58
AR2528	Oil Seals	6	\$57.91
AR1829	Support Rings ø 18	3	\$18.41

STPA-SS

SOLID SHAFT PUMP



Stainless Steel

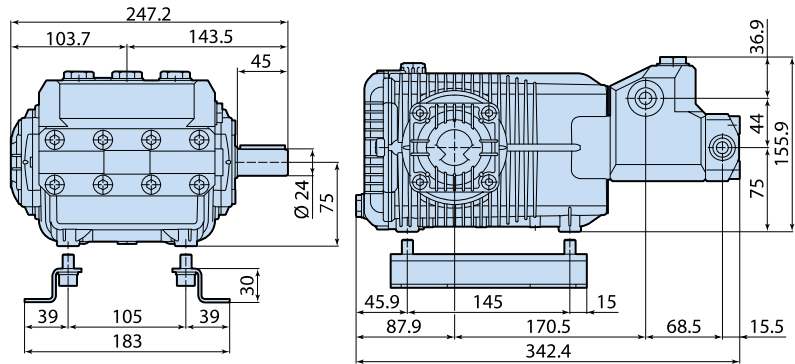
140° F - Max Water Temp
 1/2" F - Inlet Thread
 3/8" F - Discharge Thread
 32 oz - Oil Capacity



● AISI 316L
 pump head



○ aluminum
 connecting-
 rods



N version

MOD	MAX	MAX		NET	BORE DIA	STROKE	CRANKSHAFT ID STAMP	LIST PRICE			
	l/min	gpm	bar	psi	ebhp	rpm	lbs	mm	mm		\$
STPA-SS 1750rpm N version 24mm Solid Shaft											
STPA-SS4G70N	● ○ 15.1	4	500	7250	19.9	1750	41	18	12.2	5	\$6,964.06
STPA-SS5G70N	● ○ 20.8	5.5	500	7250	27.4	1750	41	18	17.2	2	\$6,964.06

SPECIAL PARTS / KITS

MOD	DESCRIPTION	LIST PRICE
AR2748	Rail Kit 1-1/4" (2 rails & 4 bolts)	\$26.67
AR2748H	Rail Kit 2-1/2" (2 rails & 4 bolts)	\$74.62
U-Bracket/Kit	Rail Kit 1-1/2" (2 rails & 4 bolts)	\$76.14
AR64516	Oil (16 oz)	\$15.80

REPAIR KITS

MOD	DESCRIPTION	QTY	LIST PRICE
AR43408	Valves	12	\$142.93
AR2548	Pistons	3	\$261.53
AR2874	Water Seals	9	\$200.96
AR2873	Oil Seals	7	\$53.95
AR42120	Piston Guide	6	\$160.68



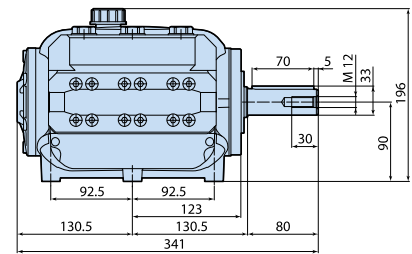
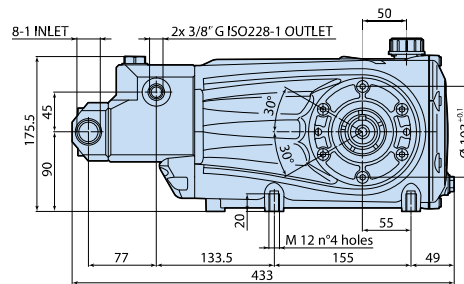
RTX-SS

SOLID SHAFT PUMP



Stainless Steel

140° F - Max Water Temp
 1" F - Inlet Thread
 1/2" F - Discharge Thread
 70.5 oz - Oil Capacity



● AISI 420L pump head



○ bronze connecting rods



○ buna o-rings

N version

MOD	MAX	MAX		NET	BORE DIA	STROKE	CRANKSHAFT ID STAMP	LIST PRICE
	l/min	gpm	bar	psi	ebhp	rpm	lbs	mm

RTX-SS 1450rpm N version 30mm Solid Shaft

RTX-SS30.500 ● ○ ● 30 7.9 500 7250 39.4 1450 72 20 23 3 \$10,174.61

SPECIAL PARTS / KITS

MOD	DESCRIPTION	LIST PRICE
U-Bracket/RTX/Kit	Rail Kit 3" (2 rails & 4 bolts)	\$268.21
AR645107	Oil (SAE30) (1.07 gal)	\$183.60

REPAIR KITS

MOD	DESCRIPTION	QTY	LIST PRICE
AR43762	Valves	6	\$218.01
AR42836	Pistons ø 20	3	\$361.97
AR43763	Water Seals ø 20	3	\$307.05
AR42840	Oil Seals	8	\$75.31
AR43764	Piston Guide Kit ø 20	3	\$180.16

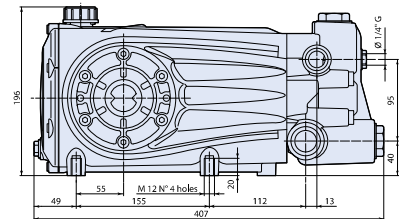
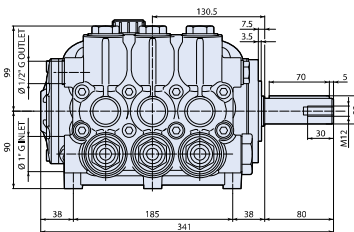
RTX-SS

SOLID SHAFT PUMP



Stainless Steel

140° F - Max Water Temp
 1" F - Inlet Thread
 1/2" F - Discharge Thread
 70.5 oz - Oil Capacity



● AISI 316L pump head



○ aluminum connecting rods



○ viton o-rings

N version

MOD	MAX	MAX		NET	BORE DIA	STROKE	CRANKSHAFT ID STAMP	LIST PRICE
	l/min	gpm	bar	psi	ebhp	rpm	lbs	mm

RTX-SS 1450rpm N version 30mm Solid Shaft

RTX-SS100.100N ● ○ ● 100 26.4 100 1500 27.0 1450 72 36 23 3 \$10,174.61

SPECIAL PARTS / KITS

MOD	DESCRIPTION	LIST PRICE
U-Bracket/RTX/Kit	Rail Kit 3" (2 rails & 4 bolts)	\$268.21
AR645107	Oil (SAE30) (1.07 gal)	\$183.60

REPAIR KITS

MOD	DESCRIPTION	QTY	LIST PRICE
AR43520	Valves	6	\$842.23
AR42839	Pistons Ø36	3	\$421.69
AR43519	Water Seals Ø36	3	\$812.94
AR42840	Oil Seals	8	\$75.31
AR43765	Piston Guide Kit Ø36	3	\$540.47



CR

SOLID SHAFT PUMP



Stainless Steel

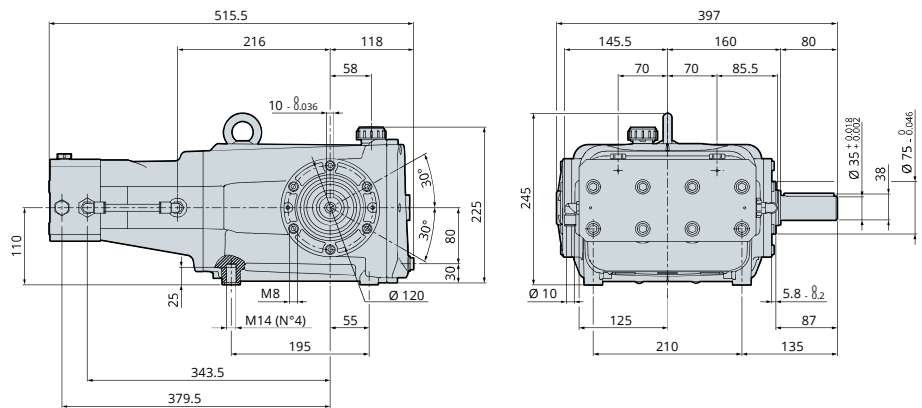
140° F - Max Water Temp
 1-1/2" F - Inlet Thread
 1" F - Discharge Thread
 137 oz - Oil Capacity



● AISI 316L pump head



○ bronze connecting rods



N version

MOD	MAX	MAX		NET	BORE DIA	STROKE	CRANKSHAFT ID STAMP	LIST PRICE			
	l/min	gpm	bar	psi	ebhp	rpm	lbs	mm	mm		\$

CR 1000rpm N version 35mm Solid Shaft

CR15-1000	● ○	15	4.0	1000	15,000	41.1	1000	136	14	35	4	\$19,364.92
CR18-1000	● ○	18	4.75	1000	15,000	48.9	1000	136	14	42	3	\$19,364.92
CR20-1000	● ○	20	5.3	1000	15,000	54.4	1000	136	14	48	1	\$19,364.92

SPECIAL PARTS / KITS

MOD	DESCRIPTION	LIST PRICE
BRACKET-RTP/RTF/RTJ	Rail Kit 2"	\$139.14
AR645107	Oil (SAE30) (1.07 gal)	\$183.60
BRACKET-RTD	Rail Kit 3.576"	\$144.39
AR4181390	Plug-Manifold	\$30.40

REPAIR KITS

MOD	DESCRIPTION	QTY	LIST PRICE
AR46907	Valves	11	\$2,925.20
AR46906	Pistons	3	\$2,037.55
AR46908	Water Seals	10	\$1,347.12
AR43616	Oil Seals	4	\$119.98