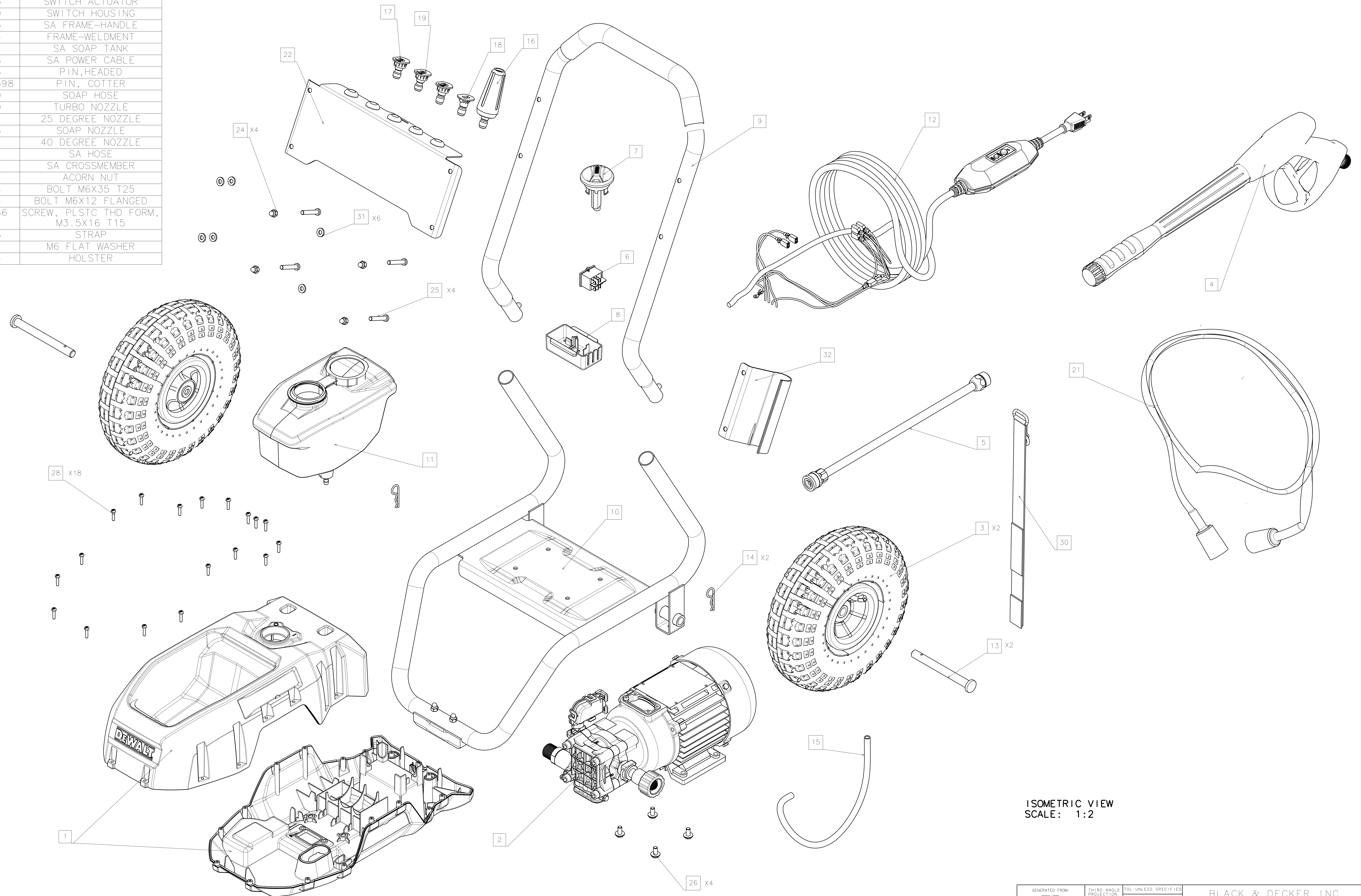


FIND NUMBER	PART NUMBER	DESCRIPTION
1	N784711	SA HOUSING SET
2	N806665	SA MOTOR AND PUMP
3	N808017	WHEEL
4	N806668	SA METAL SPRAY GUN
5	N653099	SA METAL SPRAY WAND
6	N715783	SWITCH ROCKER
7	N784725	SWITCH ACTUATOR
8	N690920	SWITCH HOUSING
9	N792103	SA FRAME-HANDLE
10	N784994	FRAME-WELDMENT
11	N806679	SA SOAP TANK
12	N748258	SA POWER CABLE
13	N809918	PIN, HEADED
14	1TM90570598	PIN, COTTER
15	N688050	SOAP HOSE
16	N652750	TURBO NOZZLE
17	N652751	25 DEGREE NOZZLE
18	N714976	SOAP NOZZLE
19	N751521	40 DEGREE NOZZLE
21	N806681	SA HOSE
22	N806682	SA CROSSMEMBER
24	N746871	ACORN NUT
25	N746644	BOLT M6X35 T25
26	N747634	BOLT M6X12 FLANGED
28	330019-66	SCREW, PLSTC THD FORM, M3.5X16 T15
30	N752768	STRAP
31	N526192	M6 FLAT WASHER
32	N868614	HOLSTER

NOTES:
1. ALL MATERIALS MUST COMPLY WITH ES100118.



ISOMETRIC VIEW
SCALE: 1:2

GENERATED FROM: 3D	THIRD ANGLE PROJECTION	TOL UNLESS SPECIFIED 0 & 1 PLC DEC: ±0.3 2 PLC DEC: ±0.10 ANGLES: ± 1.0°	BLACK & DECKER INC. DOC NO: N779336-C2D1
THIS DOCUMENT IS THE PROPERTY OF BLACK & DECKER INC. THE CONTENTS OF THIS DOCUMENT ARE CONFIDENTIAL AND UNLESS OTHERWISE SPECIFIED, THIS DOCUMENT AND ITS CONTENTS SHALL BE DISCLOSED TO ANY UNAUTHORIZED PERSON, COPIED OR PUBLISHED WITHOUT THE WRITTEN CONSENT OF BLACK & DECKER INC. COPYRIGHT © 2020 BLACK & DECKER INC.		ALL DIMENSIONS mm SIZE: A0 REF SCALE: 1:1 SHEET: 2 OF 2	TITLE: WORKING-UNIT DEWALT 2400PSI PR REVISION: *** VER/ITER: *** CHANGE: FOR PART DATA REFER TO PART DETAILS REPORT ***