

# GP FLOW SWITCH

*TMT Flow Switch With Pilot Feature*



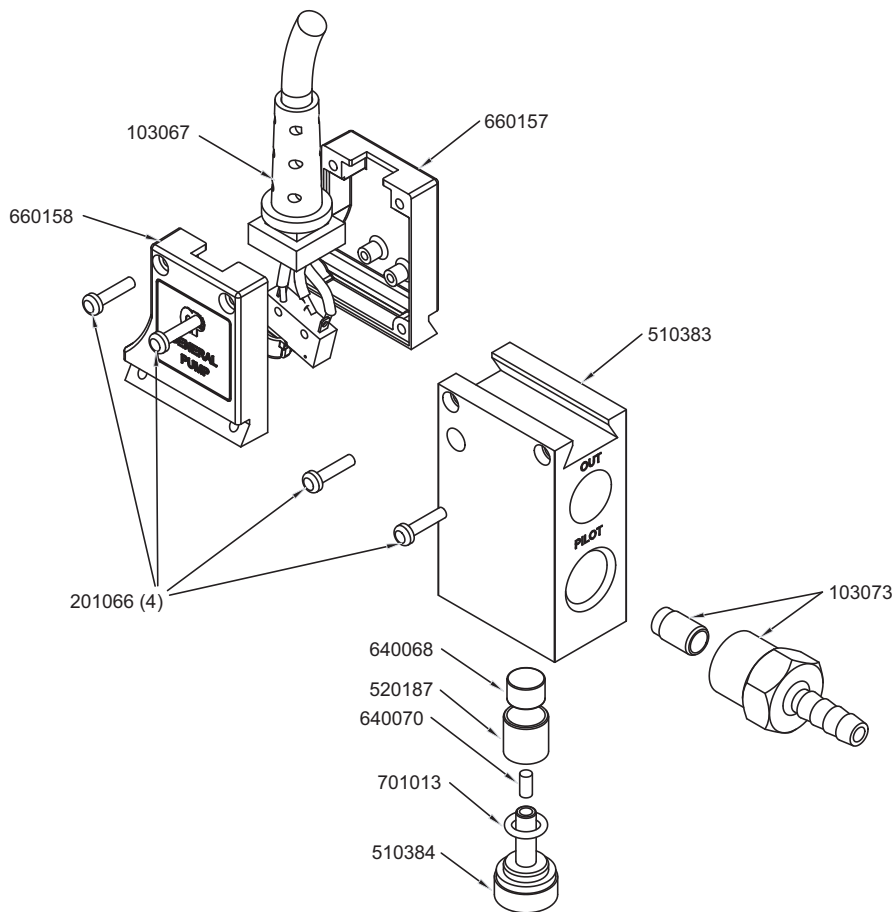
## FEATURES

- Micro-switch technology eliminates reed switch
- Activates with as little as .5 gpm flow
- Minimal pressure drop up to 12 gpm flow
- Mount in vertical position

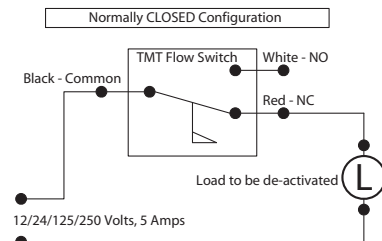
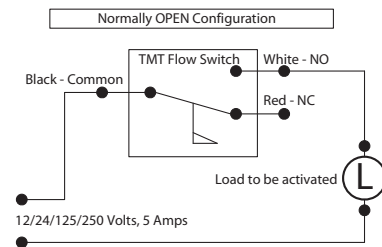
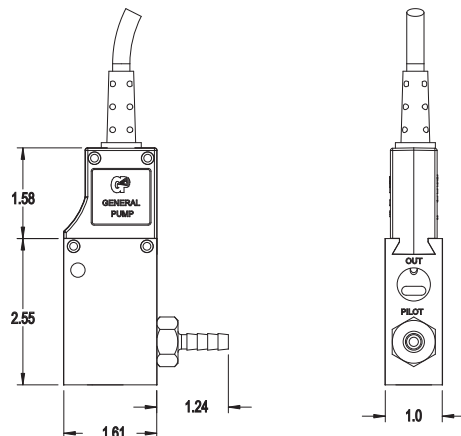
## SPECIFICATIONS

<b>Part Number</b>	<b>With Pilot</b>	<b>100879</b>
	<b>Without Pilot</b>	<b>100904</b>
<b>Maximum Operating Pressure</b>		4000 PSI
<b>Minimum Flow Required for Activation</b>		0.5 GPM @ 50 PSI
<b>Maximum Operating Flow</b>		12.0 GPM
<b>Operating Temperature Range</b>		40 - 180 °F
<b>Electrical Lead Length</b>		48" - 18AWG
<b>Switch Ratings</b>	Max Switching Voltage	250 VAC
	Max Switching Current	5 AMPS
	Resistance with Leads	30 OHM
	Electrical Service Life	200,000 Cycles
	Mechanical Service Life	10,000,000 Cycles
<b>Ports</b>	Inlet	3/8" x 18 NPT-F
	Outlet	3/8" x 18 NPT-F
	Pilot	1/4" Hose Barb
<b>Dimensions</b>		4.1" x 1.6" x 1.0"
<b>Weight</b>		1.3 LBS
<b>Materials</b>	Buna-N, Brass, Plastic, Nickel Plated Neodymium	

## EXPLOSION



## DIMENSIONS AND SCHEMATIC

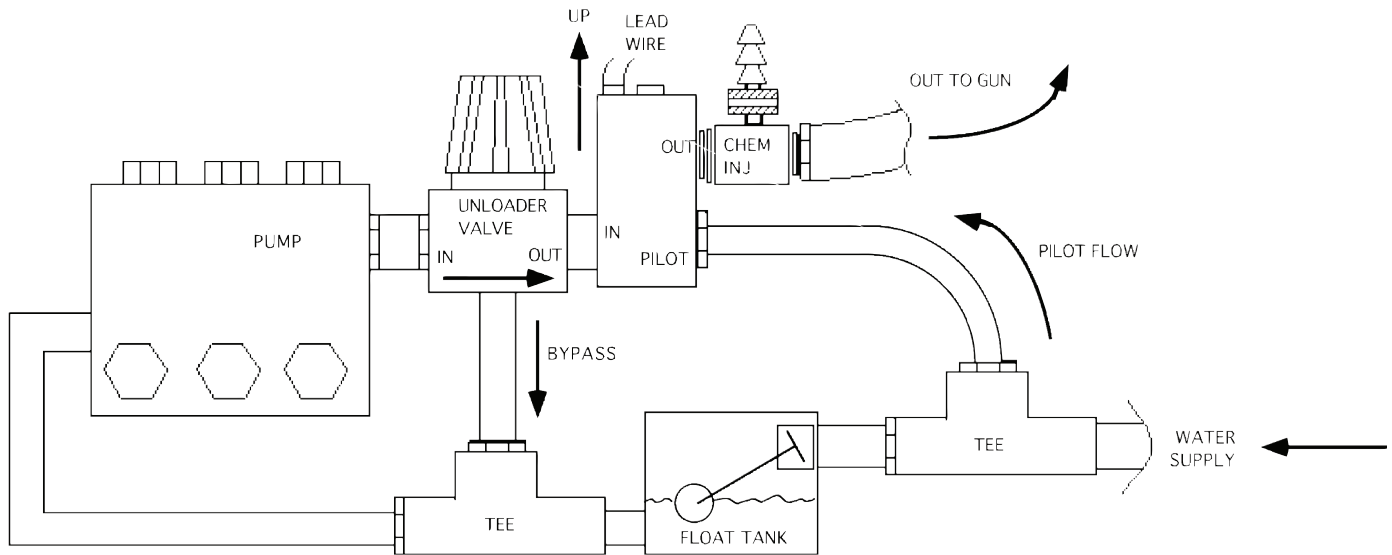


# GP FLOW SWITCH

**GENERAL PUMP** A member of the Interpump Group

*TMT Flow Switch With Pilot Feature*

## INSTALLATION



**NOTE:** When using this flow switch in a system containing a positive displacement pump, General Pump recommends the use of a safety relief device(s), correctly placed to protect all areas of the system.

Install the flow switch **vertically** to the output side of the unloader, with the 2 conductor lead wires exiting from the top. If your system uses a downstream chemical injector, it should be mounted on the output side of the flow switch.

Model 100879, with pilot feature, requires a direct connection to the water supply feed line to provide a pilot signal. This is accomplished by installing a tee fitting (with a 1/4" hose barb fitting) directly in the water supply feed line. The tee must be installed before the float valve. Install an appropriate length of 1/4" I.D. reinforced polyvinyl tubing between the tee fitting and the valve pilot port.

Ref 300524 Rev. D  
12-07

**GENERAL PUMP** 1174 Northland Drive • Mendota Heights, MN 55120  
Phone: (651)686-2199 • Fax: (800)535-1745 • e-mail: sales@gpcompanies.com • www.generalpump.com



GENERAL PUMP