

# MULTI-PURPOSE VACUUM CLEANER OPERATOR MANUAL

MULTI-PURPOSE VACUUM CLEANER OPERATOR MANUAL.....	2
IMPORTANT SAFETY INSTRUCTIONS .....	4
READ ALL INSTRUCTIONS BEFORE USING THIS APPLIANCE	4
SAVE THESE INSTRUCTIONS	5
MODEL OVERVIEW .....	6
OPERATING INSTRUCTIONS	8
USING THE ACCESSORIES.	15
CARE AND MAINTENANCE INSTRUCTIONS .....	16
TROUBLESHOOTING.....	19

## Safety Alert Symbols

### **⚠ DANGER**

Pointer to immediate danger, which leads to severe injuries or death.

### **⚠ WARNING**

Pointer to a possibly dangerous situation, which can lead to severe injuries or death.

### **⚠ CAUTION**

Pointer to a possibly dangerous situation, which can lead to minor injuries.

### **ATTENTION**

Pointer to a possibly dangerous situation, which can lead to property damage.

## Specifications

Voltage ~60 Hz	120	V
Power consumption	10	A
Container capacity	6,6 (25)	gal l
Water intake with handle	4,2 (16)	gal (l)
Water intake with floor nozzle	3,7 (14)	gal (l)
Power cord	2xAWG16SJTW	
Sound pressure level (EN 60704-2-1)	73	dB(A)
Weight (without accessories)	19 (8,6)	lbs (kg)
Part No.	1.348-196.0	

***Subject to technical modifications!***

## Proper use

In accordance with the descriptions and the safety information in these operating instructions the appliance is intended for use as a multi-purpose vacuum cleaner.

This appliance has been designed for use in private households and is not intended for commercial use.

- Use indoors only.
- This device may not be used to suck in ash and soot.

Use the multi-purpose vacuum cleaner only with:

- Original filter bag.
- Original spare parts, accessories and special accessories.

The manufacturer is not responsible for any damages that may occur on account of improper use or wrong operations.

## Owner/User Responsibility

The owner and/or user must have an understanding of the manufacturer's operating instructions and warnings before using this appliance.

Warning information should be emphasized and understood.

If the operator is not fluent in English, the manufacturer's instructions and warnings shall be read to and discussed with the operator in the operator's native language by the purchaser/owner, making sure that the operator comprehends its contents.

Owner and/or user must study and maintain for future reference the manufacturers' instructions.

## Scope of delivery

The scope of delivery of your appliance is illustrated on the packaging. Check the contents of the appliance for completeness when unpacking.

In the event of missing accessories or any transport damage, please contact your dealer.

## Customer Support USA and Canada

To register this product, please visit:

**[www.karcher-register.com](http://www.karcher-register.com)**

For technical support, go to:

**[www.karcher-help.com](http://www.karcher-help.com)**

If you need to file a warranty claim, please call: **1-800-537-4129**

You will need to fax or email your receipt to a customer service agent. All other information can be found at:

**[www.karcherresidential.com](http://www.karcherresidential.com)**

## Customer Support Mexico

Call: **01-800-024-13-13** for help or visit our website: **[www.karcher.com.mx](http://www.karcher.com.mx)**

# IMPORTANT SAFETY INSTRUCTIONS

*When using this product basic precautions should always be followed, including the following:*

**READ ALL  
INSTRUCTIONS  
BEFORE USING  
THIS APPLIANCE**

***For household use only!***

## **⚠ WARNING**

To reduce the risk of fire, electric shock, or injury:

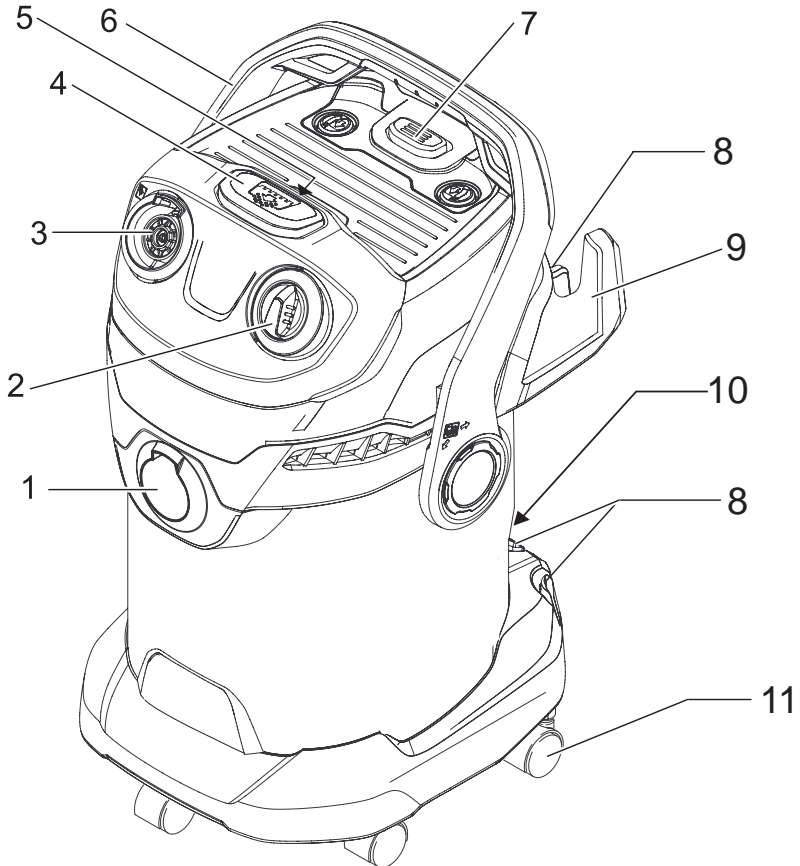
- DO NOT LEAVE appliance unattended when plugged in. Unplug from outlet when not in use and before servicing.
- Use indoors only.
- Do not allow to be used as a toy. Close attention is necessary when used by or near children.
- Use only as described in this manual. Use only manufacturer's recommended attachments.
- Do not use with damaged cord or plug. If appliance is not working as it should, has been dropped, damaged, left outdoors, or dropped into water, return it to a service center.
- Do not pull or carry by the cord, do not use cord as a handle, do not close a door on the cord, or pull cord around sharp edges or corners. Do not run appliance over cord. Keep cord away from heated surfaces.
- Do not unplug by pulling cord. To unplug, grasp plug.
- Never touch the mains plug with wet hands.
- Use extra care when cleaning on stairs.
- Turn off all controls before unplugging.
- Never immerse the appliance in water or other liquids.
- The appliance must be level and on the floor during use.
- The appliance may not be operated in explosive atmospheres.
- Do not service the appliance when it is plugged in.
- Do not put any objects into openings. Do not use if openings are blocked; keep free of dust, lint, hair, and anything that may reduce air flow.
- Do not use to pick up flammable or combustible liquids, such as gasoline, or use in areas where they may be present.
- Do not pick up anything that is burning or smoking such as cigarettes, matches or hot material.
- Keep hair, loose clothing, fingers, and all parts of the body away from openings and moving parts.
- Wear eye protection when operating blower.
- Do not vacuum or use blower near toxic or health endangering materials such as asbestos, pesticides, fertilizers, or anything that is poisonous.
- Do not vacuum explosive dusts or use cleaner or blower in areas that may contain explosive substances such as coal, grain, or any other fine, combustible material.
- Avoid picking up hard, sharp objects with the cleaner. They may damage the cleaner and the filter.

- Do not use without filter and/or dust bag in proper place.

**SAVE THESE  
INSTRUCTIONS**

## MODEL OVERVIEW

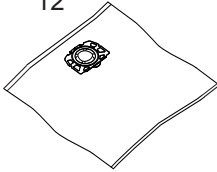
- |   |                             |    |                            |
|---|-----------------------------|----|----------------------------|
| 1 | Suction hose connection     | 7  | Filter box and release key |
| 2 | ON/OFF switch for appliance | 8  | Accessory mount            |
| 3 | Blowing connection          | 9  | Cable hook                 |
| 4 | Filter cleaning button      | 10 | Parking position           |
| 5 | Recessed grip               | 11 | Steering roller            |
| 6 | Carry handle                |    |                            |



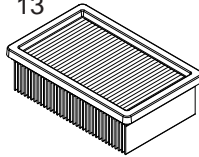
## Accessories

- |    |                                    |    |  |
|----|------------------------------------|----|--|
| 12 | Filter bag                         | 17 | Floor nozzle<br>(with switching lever) |
| 13 | Flat fold filter                   | 18 | Crevice nozzle                         |
| 14 | Suction hose with connecting piece |    |  |
| 15 | Removable handle                   |    |  |
| 16 | Suction tubes 2 x 0.5 m            |    |  |

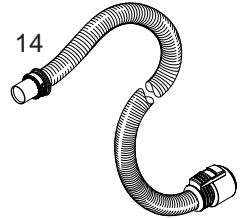
12



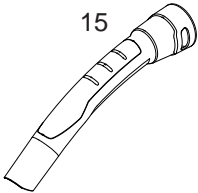
13



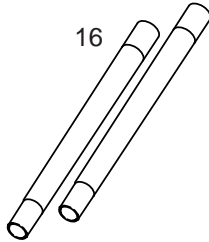
14



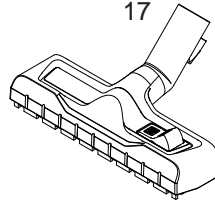
15



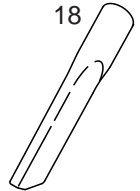
16



17



18

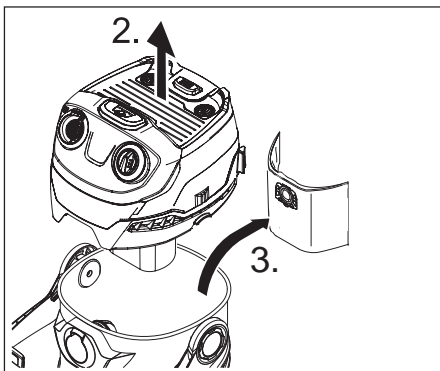
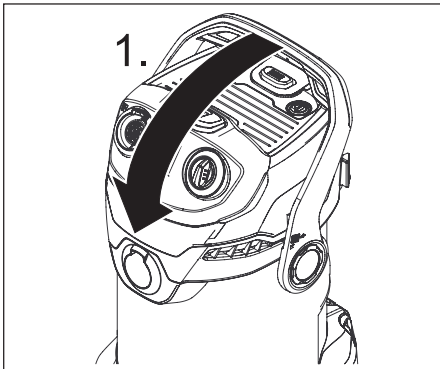


# OPERATING INSTRUCTIONS

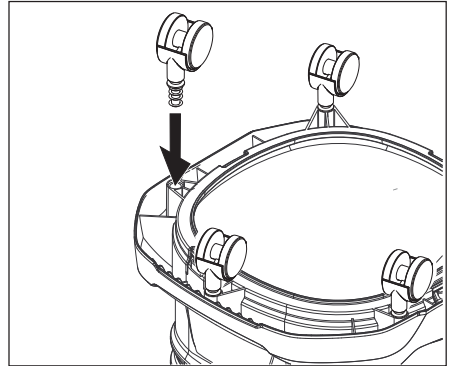
## ASSEMBLY INSTRUCTIONS

### Note

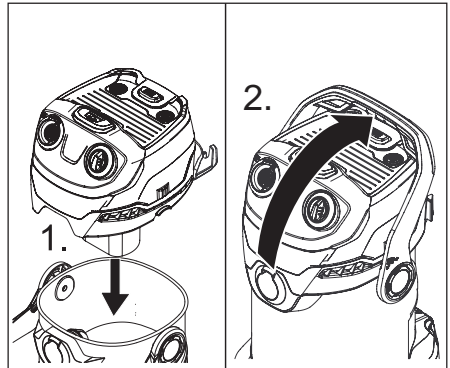
- The carrying handle is also used to lock the appliance head and the container. To unlock, push the bow all the way forward until you clear the lock.
- After unlocking it, grab the appliance head by the handle recess and remove it.
- ➔ Remove the appliance head and take the contents out of the container.



- ➔ Turn the container, press in the steering roller in the openings at the base of the container till the end-point.

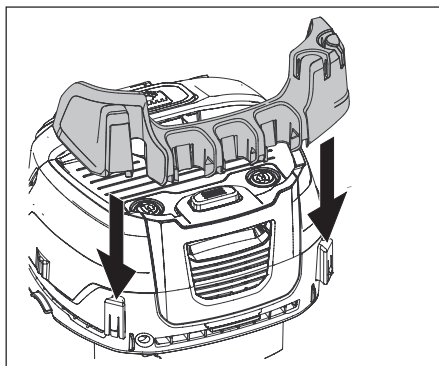


- ➔ Insert and lock the appliance head.

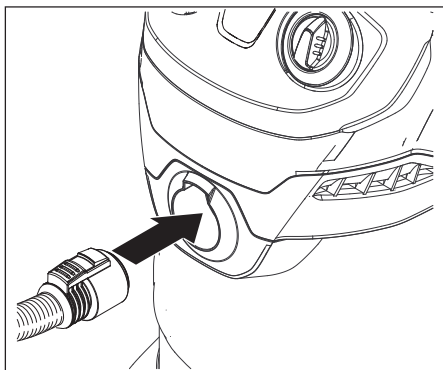




- Clip the holder for the accessory compartment onto the rear side of the appliance.

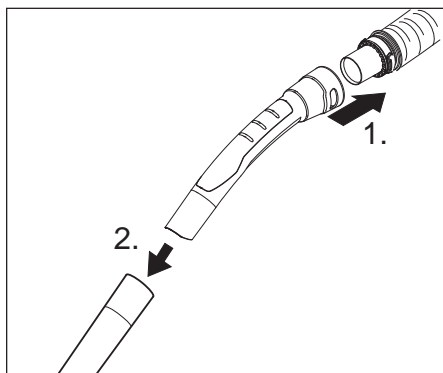


- Push the suction hose into the connection on the appliance, it snaps in place.

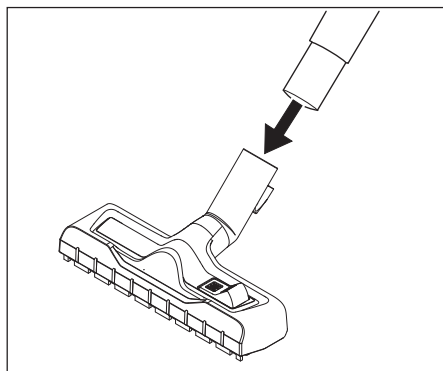


- Connect the handle with the suction hose until it snaps in place.

- Put both suction tubes together and connect them with the handle.

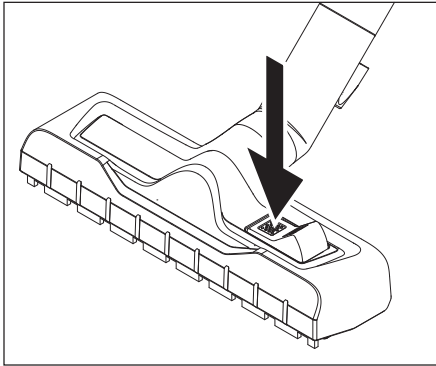


- Connect the floor nozzle with the suction tubes.

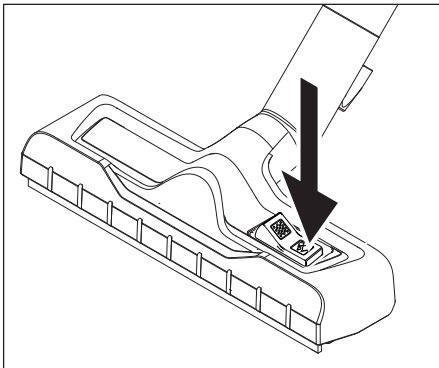


For convenient switching between dry and wet dirt:

- For vacuuming dry dirt off the floor, use position with extended brush strips.



- For vacuuming water off the floor, use position with extended rubber lips.



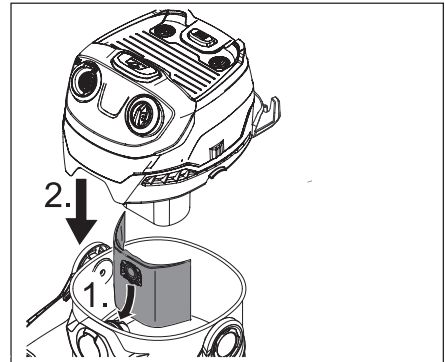
### Dry vacuum cleaning

#### **ATTENTION**

Work with a dry flat fold filter only. Check the filter for damage prior to installation and replace as necessary. Vacuum cold ashes only when using a pre-filter.

Order no. basic design: 2.863-139.0, premium design: 2.863-161.0.

- For vacuuming dry dirt an additional filter bag can be inserted if necessary.



#### **ATTENTION**

Only operate the filter cleaning without a filter bag inserted, otherwise the filter bag can get damaged.

### Wet vacuum cleaning

#### **△ WARNING**

Immediately switch the appliance off or pull the power plug if foam forms or liquids escape!

**Note:** Do not use a filter bag for wet vacuuming!

**Note:** If the container is full, a float closes the suction opening, and the appliance works at a higher speed. Switch off the appliance immediately, and empty the container.

- For vacuuming up moisture or wetness pay attention to the correct floor nozzle setting and connect the corresponding accessories.

## Turning on the Appliance

### ATTENTION

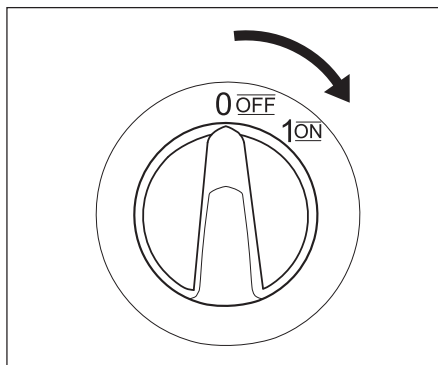
Always work with an inserted flat fold filter - during wet as well as dry vacuum cleaning!

→ Insert the mains plug into a socket.

→ Turning on the Appliance

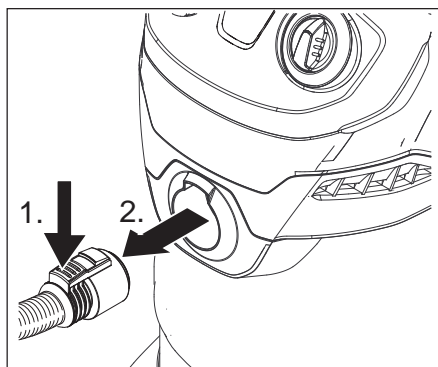
**Position I:** Appliance is switched on.

**Position 0:** Appliance is switched off

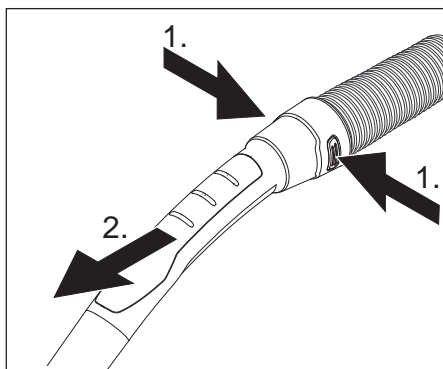


## Removing the Accessories

→ In order to disconnect it, push down with your thumb and pull the suction hose out.

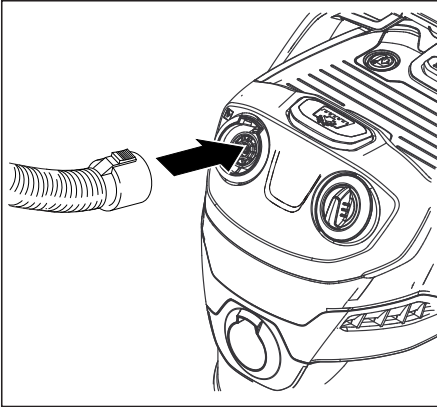


→ To remove the handle from the suction hose, press the notch using your thumb and pull off the handle.



## Blowing function

- Connect the suction hose to the blower connection, this will activate the blower function.



## Integrated filter cleaning system

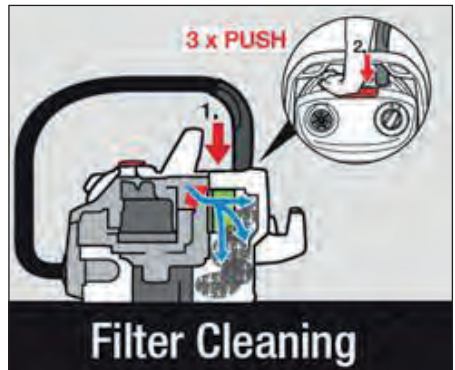
### ATTENTION

*Only operate the filter cleaning without a filter bag inserted, otherwise the filter bag can get damaged.*

The filter cleaning system is intended for vacuuming up large volumes of fine dust without an inserted filter bag.

**Note:** Thanks to the filter cleaning system the soiled flat pleated filter can be cleaned at the push of the button and the suction performance can be increased again.

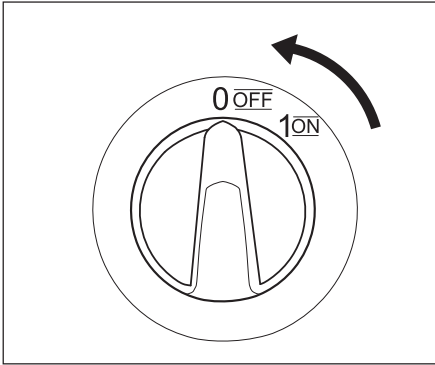
- Place the handle of the suction hose in the accessory compartment on the appliance head. Push the filter cleaning button 3 x while the appliance is switched on, wait 4 seconds between the individual operations.



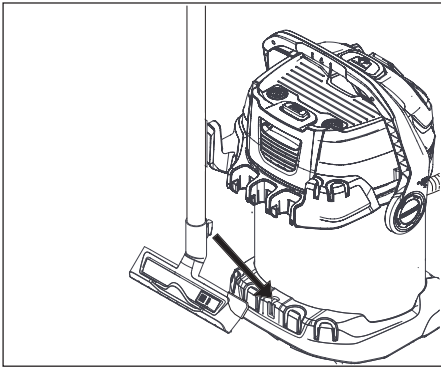
**Note:** After operating the filter cleaning button several times, check the container for its filling volume. Otherwise, the dirt might escape when the container is opened.

## Interrupting operation

- Turn off the appliance.  
**Position 0:** Appliance is switched off

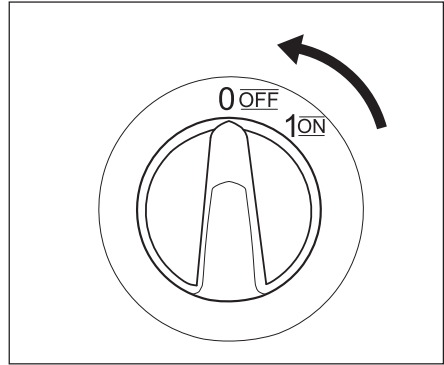


- Hook the floor nozzle into the parking position.



## Finish operation

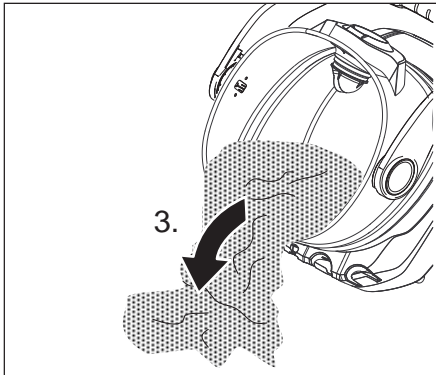
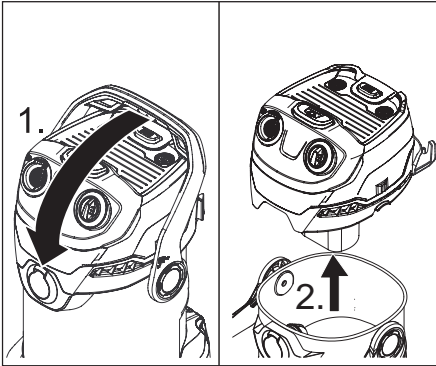
- Turn off the appliance.  
**Position 0:** Appliance is switched off



- Disconnect the mains plug from the socket.

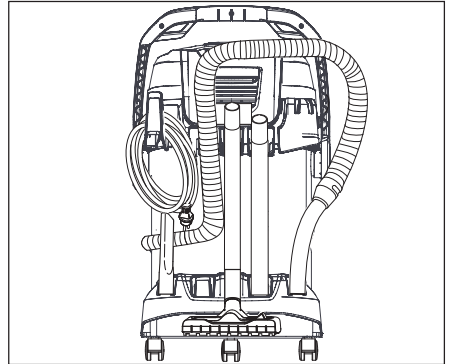
### Empty the container

- Remove the appliance head and empty the reservoir filled with wet or dry dirt.



### Storing the appliance

- Store the accessories and the mains cable on the appliance and store the appliance in dry rooms.



## USING THE ACCESSORIES

### Suction hose with connecting piece

**Note:** Accessories, such as suction brushes (optional) can be directly attached to the connecting piece and thus connected to the suction hose. For convenient working even in tight spaces.

The removable handle can be attached between the accessories and the suction hose if necessary.

**Recommendation:** In order to vacuum the floor, attach the handle to the suction hose.

### Removable handle

**Note:** Due to removing the handle, accessories can be directly attached to the suction hose.

**Recommendation:** In order to vacuum the floor, attach the handle to the suction hose.

### Suction tubes 2 x 0.5 m

Put both suction tubes together and connect them with the handle.

### Crevice nozzle

For edges, joints, heaters and hard to reach locations.

### Floor nozzle

- For vacuuming dry dirt off the floor, use position with extended brush strips.
- For vacuuming water off the floor, use position with extended rubber lips.

### Filter bag

**Note:** Do not use a filter bag for wet vacuuming!

**Recommendation:** To vacuum fine dust, use the filter bag.

- The filling level of the filter bag depends on the dirt that is sucked in.
- The filter bag needs to be replaced more frequently while sucking in fine dust, sand, etc.
- Clogged filter bags can burst - therefore make sure to replace the filter bag in a timely manner!

### Flat fold filter

(already installed in the appliance)

### ATTENTION

*Always work with an inserted flat fold filter - during wet as well as dry vacuum cleaning!*

## CARE AND MAINTENANCE INSTRUCTIONS

### ⚠ **DANGER**

Turn off the appliance and remove the mains plug prior to any care and maintenance work.

Repair works may only be performed by the authorised customer service.

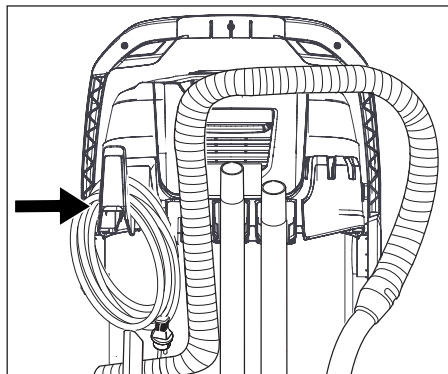
### ⚠ **WARNING**

Do not use abrasives, glass or universal cleaners! Never immerse the appliance in water.

- Clean the appliance and accessory parts made of plastic with a commercial plastic cleaner.
- If required, rinse the container and accessories with water properly and dry them before reuse.

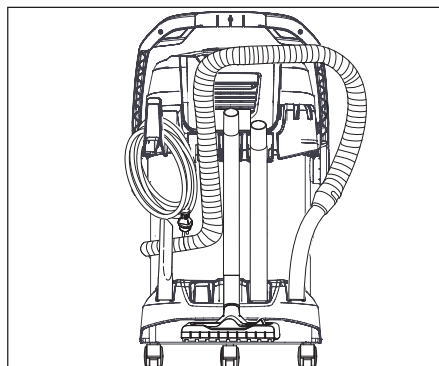
### Cord storage

- Wind the cord around the cable hook.



### Storing the appliance

- Store the accessories on the appliance.



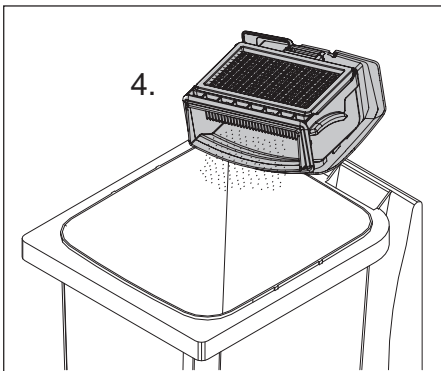
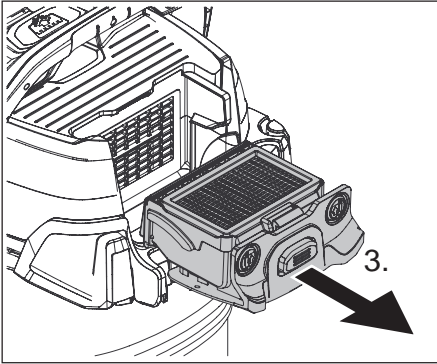
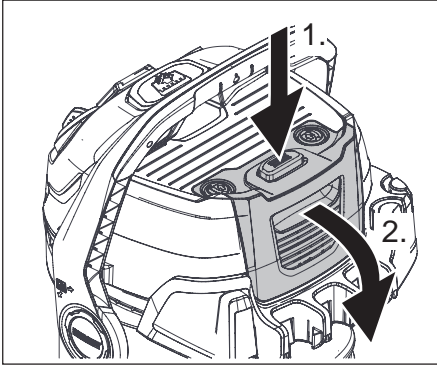
- Store the appliance indoors in a cool, dry place.
- Connect the floor nozzle with the suction tubes.



## Clean flat fold filter

**Recommendation: Clean the filter box after every use.**

→ Unlock, fold out and remove the filter cartridge, empty dirt from the filter cartridge over a waste bin.

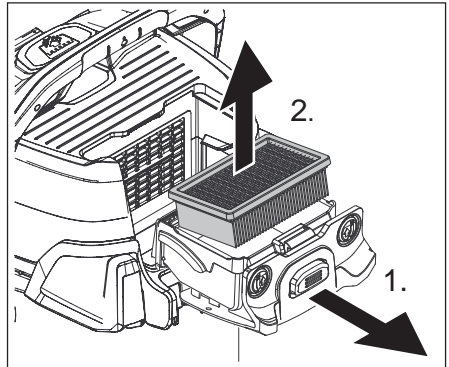


→ In order to clean the inserted flat fold filter, knock the filter box against the edge of the waste bin. It is not necessary to remove the flat fold filter from the filter box.

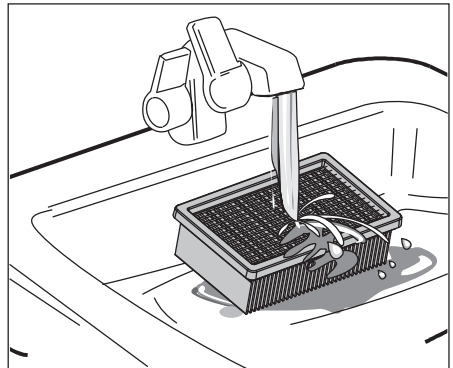
**If necessary, clean the flat fold filter separately.**

→ Unlock, fold out and remove the filter cartridge.

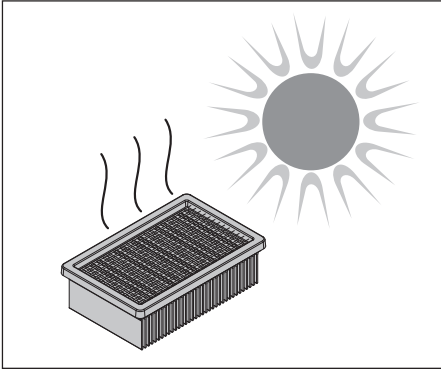
→ Remove the flat fold filter from the filter box and tab it out.



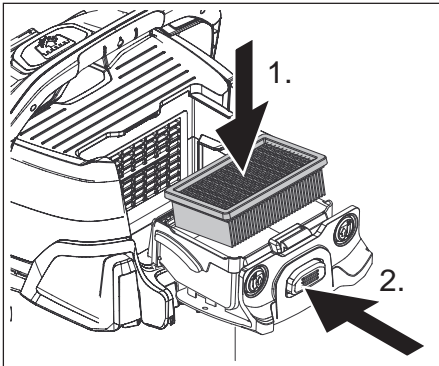
→ When necessary, clean under running water only, do not wipe or brush down.



→ Allow to dry completely prior to use.



→ Finally, reinstall the dry flat fold filter into the appliance. Insert the filter cartridge into the appliance.



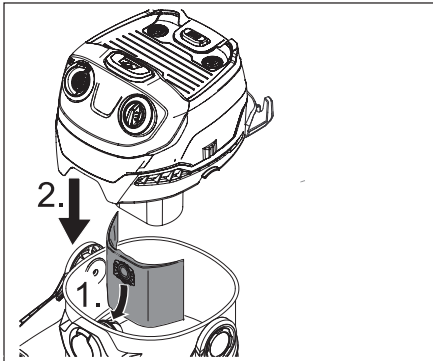
## TROUBLESHOOTING

Often, failures have simple causes and you can do the troubleshooting yourself using the following overview. If you are in doubt or if the failure is not listed here please contact the authorized customer service.

### Decreasing cleaning power

If the suction power becomes less, check the following points:

- Accessories, suction hose or suction pipes are clogged, please remove the obstruction using a stick.
- Filter bag is full: Insert new filter bag.



- Flat fold filter contaminated: Remove the filter box and clean filter (see Chapter "Cleaning the flat fold filter").
- Replace damaged flat fold filter.